

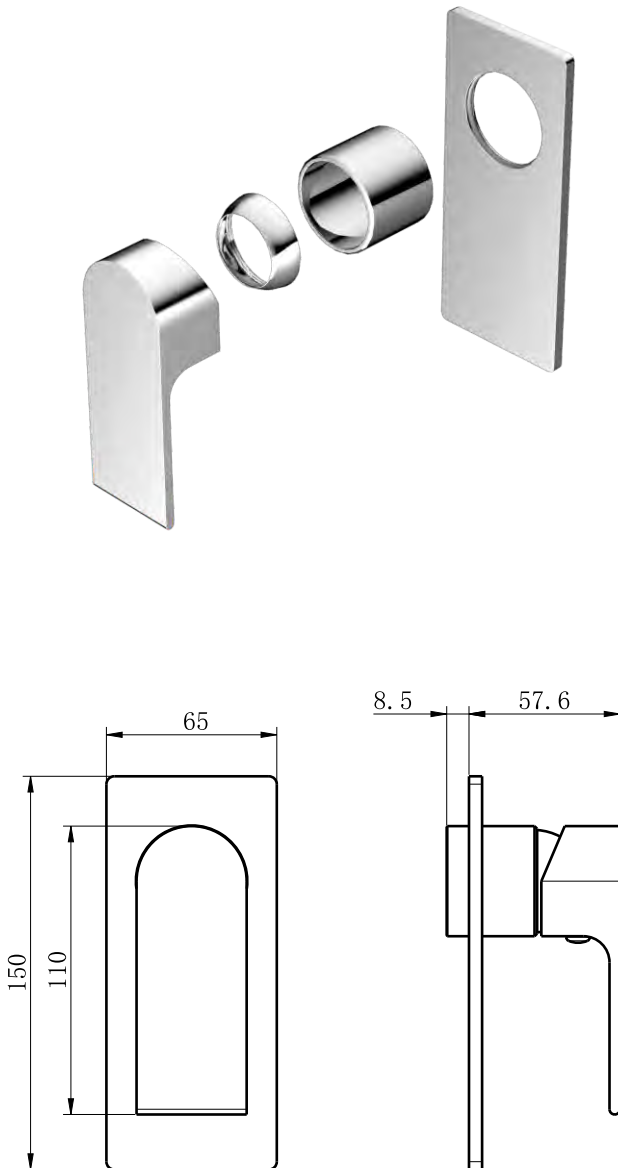
Bianca Shower Mixer Trim Kits

SPECIFICATION

| | |
|--------------------|-----------------------|
| WELS RATING | N/A |
| WATERMARK LICENSE | WM-060073 |
| TEMPERATURE RATING | MIN 1°C-MAX 75°C |
| PRESSURE RATING | MIN 150KPa-MAX 500KPa |

FINISH

| | | | |
|---|-------------------------------|---|----------------------------|
|  | CHROME NR321511TCH |  | MATTE BLACK NR321511TMB |
|  | BRUSHED NICKEL NR321511TBN |  | GUN METAL NR321511TGM |
|  | BRUSHED GOLD NR321511TBG | | |



Dimensions are nominal measurements only.

MAINTENANCE AND CARE

All surfaces should be cleaned with mild liquid detergent or soap and water.

Do not use cream cleaners or citrus based cleaning products, as they are abrasive.

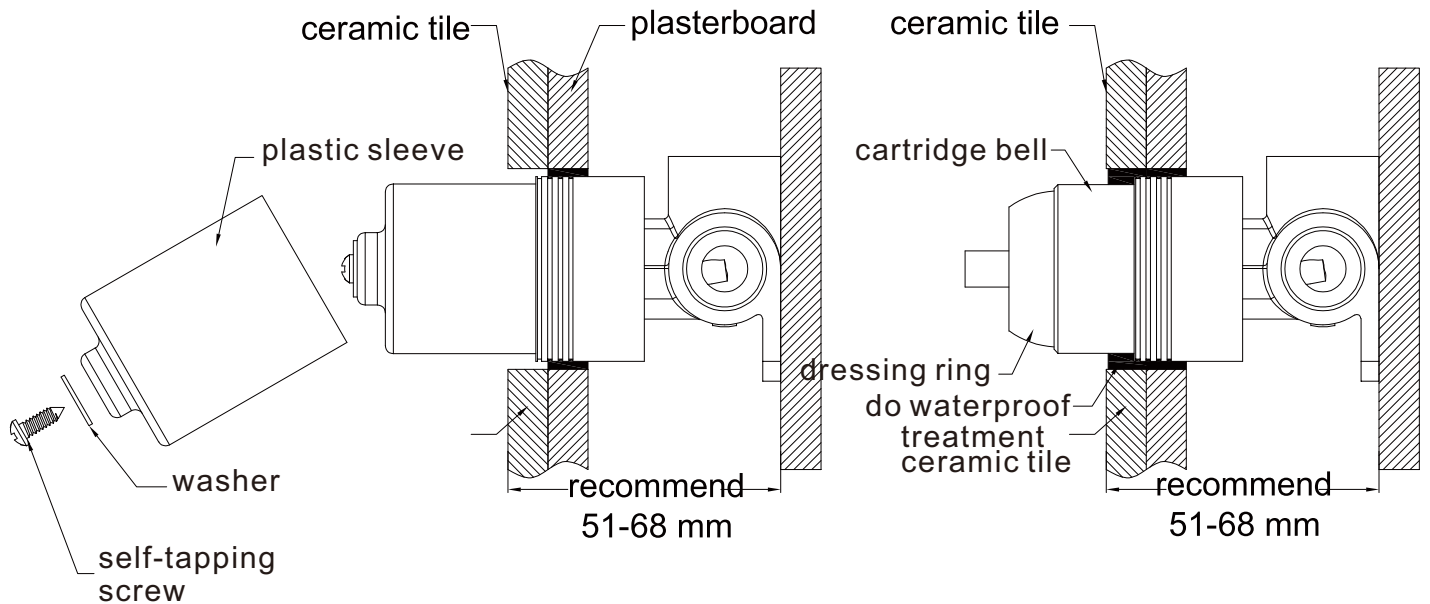
Use of unsuitable cleaning agents may damage the surface. Any damage caused in this way will not be covered by warranty.

PACKING INCLUDES

- 1x plate
- 1x handle
- 1x cartridge bell
- 1x dressing bell

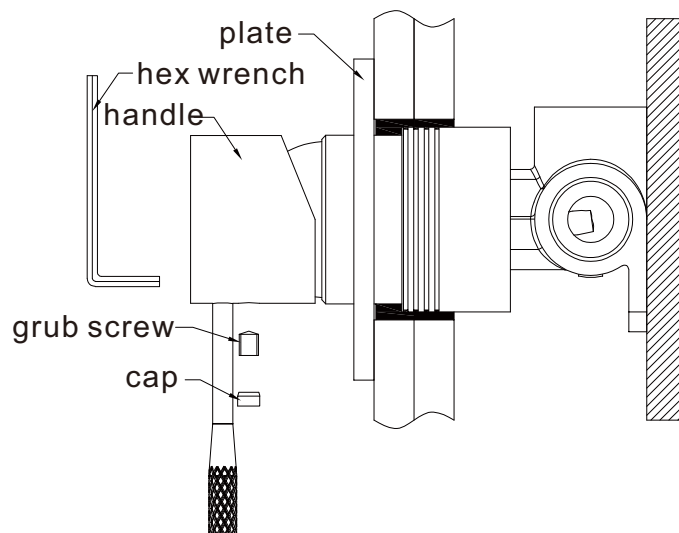


Installation Instruction



1. Install ceramic tile after drilling a $\phi 50$ and a $\phi 40$ hole according to above picture.
2. Remove self-tapping screw, washer, plastic sleeve, grub screw and water testing plug.

3. Put on cartridge bell.
4. Screw on dressing ring.
5. Do waterproof treatment for the gap between ceramic tile and cartridge bell.



6. Put plate onto body.
7. Put washer onto cartridge stick, put on handle and tighten grub screw of handle firmly by hex wrench, put cap into handle.