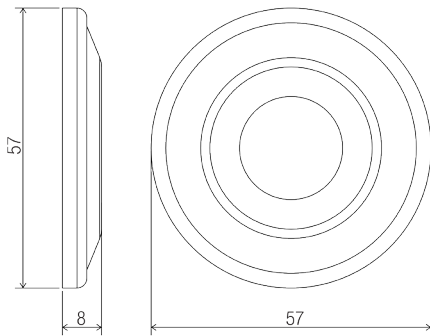


DIMENSIONS



DOMED WALL FLANGE

Product Code - Finish

- WF 057 C DO - Chrome

Features

- Brass 57 mm wall flange
- Chrome plated finish

Compliance

- Not required for sale

Warranty

See Con-Serv warranty policy for full details.

INDICATIVE IMAGE



CON-SERV CORPORATION AUSTRALIA PTY. LTD.

17 Glentanna Street, Kedron · Qld. 4031 Australia

Phone: +61 (0)7 3630 5744 · Fax: +61 (0)7 3630 5755 · Email: mail@con-serv.com.au · www.con-serv.com.au