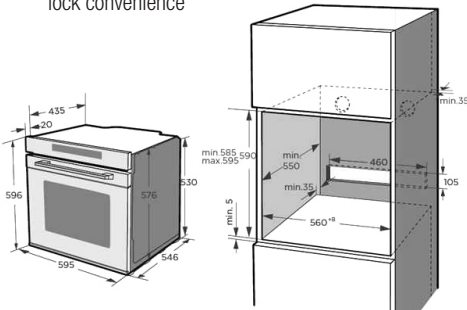


Multifunction Oven – XL 82 Litre

Model: OMF6040X



- Black Krystal glass aesthetic with stainless steel trim and handle
- 15 functions with 5 convenient cooking levels
- Soft close and soft open doors
- Single point, high mount lighting
- Thermally activated control knobs with I.D.D Interactive Digital Display
- Precision Plus, electronic thermostat temperature control
- Boost rapid heating 150°C in 4 minutes
- 1 **Safety stop** extendable telescopic guide for safe operation
- Touch control, electronic timer and clock
- Recessed grill for protection and safety
- Child safety lock, Fully removable door
- 1 baking tray with wire insert, 2 wire racks
- Sabbath mode
- Progressive preheat temperature increase indicator
- Energy saving Eco residual heat function
- Pause and resume convenience
- Easy access fully removable glass panes with snap lock convenience



These dimensions are provided as a general guide only and should not be used for designing or constructing cabinetry or for installation.

To obtain full installation instructions for this appliance go to kleenmaid.com.au and click on User Care Manuals, top right.

Level 2, 204 Botany Road, Alexandria NSW, 2015
P: 02 9310 1207 • E: support@kleenmaid.com.au
www.kleenmaid.com.au



Enamel



Traditional cooking:
upper and lower
heating elements



Pastry:
lower heating element



Safety Stop
Telescopic Guides



Thermally Activated
Control Knob



Lighting



Intensive cooking:
upper + lower heating
elements + fan



Double Grill



Bread Proofing
30°C – 45°C



Defrosting: fan



Full Grill



Baking: fan forced



Fan Assisted
Double Grill



Fan forced lower
heating element
Pizza and Bread



Boost Rapid Heating
150°C in 4 minutes



Programmed
Cooking



Thermal
Reflective Glass



Eco Residual Heat
Function



Pause/Resume



Interactive Digital Display



Precision Plus Control



Fineline : 0356356

J12537_02

kleenmaid
The best you can own