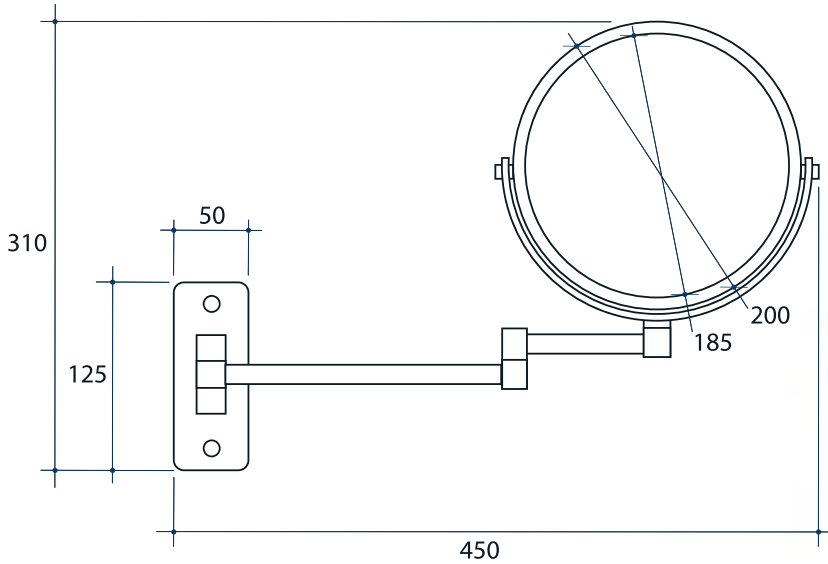


# Ablaze Non-Lit Magnifying Mirrors



Maximum Distance From Wall 330mm  
 Length From Wall When Folded - 30mm

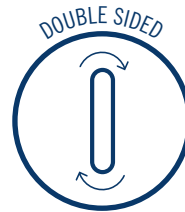
Note: All dimensions are in millimetres (mm)

Stock Code	Finish	Type
------------	--------	------

R16SMBB

Brushed Brass Plated

Wall Mounted



**Please note:** Mirrors will need to be installed in accordance with the Installation Guide. Ablaze does not take responsibility for incorrect installation of these mirrors.

PLEASE NOTE: Specifications are for information purposes only. Whilst every effort has been made to ensure the product specifications are accurate, due to continuing product development and improvement the specifications are subject to change. Specifications can be used to rough in and fit timber supports in the wall however we recommend no holes are drilled without having the product on site or verifying the details with the manufacturer. Thermogroup cannot be held liable or responsible for errors due to updated specifications.