

Flat Pack Includes:

40—M5 Bolts and Nuts

8—M6 Bolts and Nuts

2—Handles

2—Castor Wheels

1—Base Plate

1—Top Frame

4—Legs

No assembly tools included

Euro Appliances

65 Glynburn Road, SA 5070

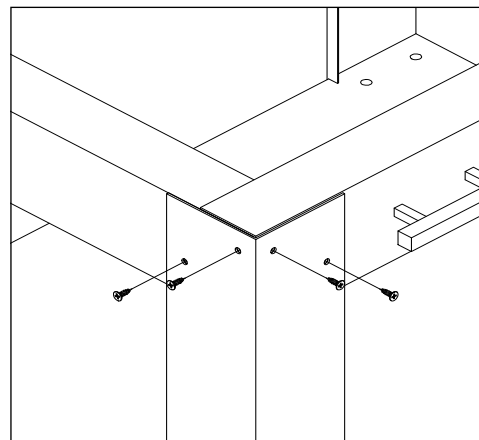
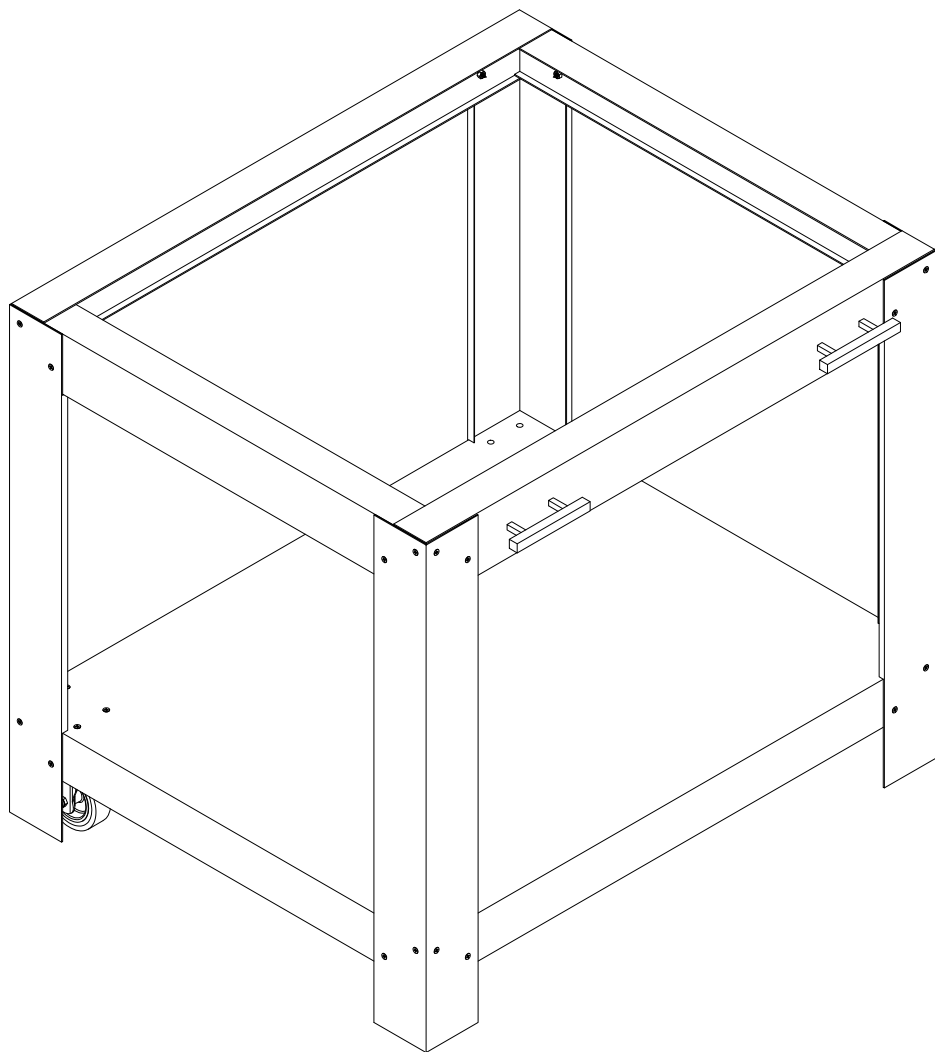
08 8165 1012

PIZZA TROLLEY INSTRUCTIONS

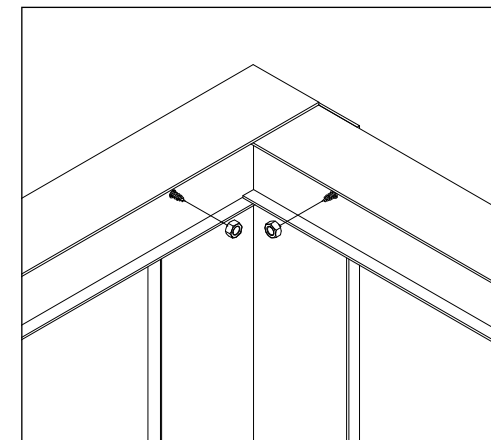


ASSEMBLY INSTRUCTIONS

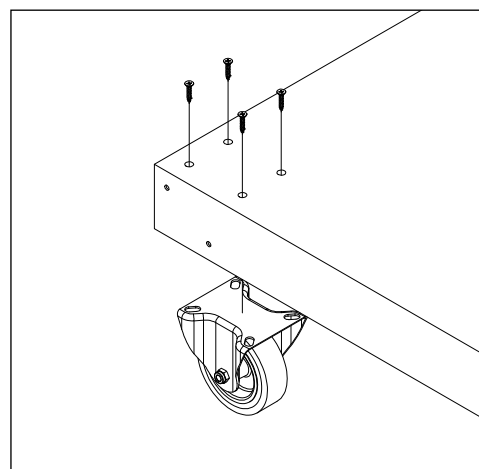
PIZZA OVEN TROLLEY 60x80



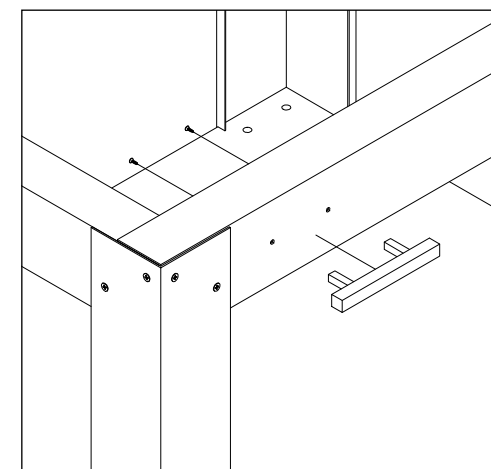
- Use **M5 Bolt** to assemble frame
- Do **NOT** fully tighten until the whole unit is assembled



- Use **M5 Nuts** to assemble frame
- Do **NOT** fully tighten until the whole unit is assembled



- Use **M6 Bolt and Nuts** to assemble legs



- Use **M5 Bolt and Nuts** to assemble handle