

# 90cm Gas on Glass Cooktop

## COOKTOP

PRODUCT CODE: **ECT900GBK2**



### FEATURES:

- + 5 Gas burners
- + Includes left side wok burner
- + Front control knobs
- + 1 touch electric ignition
- + Non-slip cast iron trivets
- + Wok support trivet included
- + Easy clean surface
- + Flame failure safety device
- + Natural gas or LPG (Jets included)
- + Modern design glass cooktop

### CAST IRON TRIVETS

Non-slip cast iron trivets are standard with this cook top and removable for easy cleaning.

### GAS ON GLASS

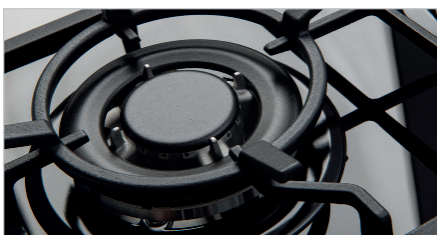
The best of both worlds. The efficiency of gas, combined with the easy clean glass cook top, the non-porous glass surface makes cleaning this unit simple and easy.

### FLAME FAILURE SAFETY DEVICE

The flame failure device is a safety mechanism which ensures the gas is automatically turned off in the case of the flame extinguishing.

### ONE TOUCH ELECTRONIC IGNITION

This gas cooktop uses a one-touch electronic ignition system. Simply push down the knob and turn to the desired setting, the flame will ignite automatically.



### SPECIFICATIONS:

<b>Electrical Requirements</b>	Cooktop is supplied with 10 amp plug & cord.
<b>Voltage</b>	220V-240V
<b>Frequency</b>	50Hz-60Hz
<b>Gas Rated Pressure:</b>	Natural 1.00kPa / LPG 2.75kPa
<b>Gas Burners:</b>	
- Front Right (Semi Rapid)	Natural 6.3 MJ/h / LPG 6.3 MJ/h
- Rear Right (Semi Rapid)	Natural 10.8 MJ/h / LPG 10.8 MJ/h
- Left (Ultra Rapid - Wok)	Natural 12.96 MJ/h / LPG 12.96 MJ/h
- Front Centre (Auxiliary)	Natural 3.6 MJ/h / LPG 3.6 MJ/h
- Rear Centre (Rapid)	Natural 6.3 MJ/h / LPG 6.3 MJ/h
<b>Weight</b>	20kg gross
<b>Product Dimensions</b>	W900mm x H90mm x D512mm

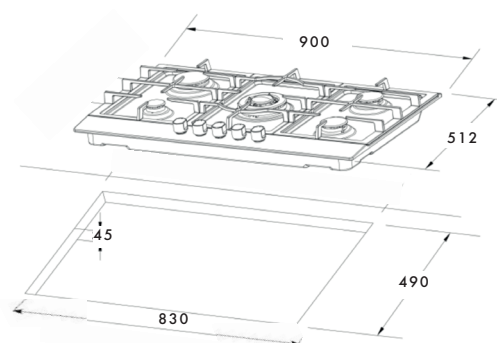


eurocooking



Warranty

### INSTALLATION DIAGRAM



### CLEANING AND MAINTENANCE

- Cleaning operations must only be carried out when the appliance is completely cool.
- Clean the appliance regularly, preferably after each use
- Abrasive cleaners or sharp objects will damage the appliance surface; you should clean it using water and a little washing up liquid

### SAFETY INFORMATION

- Do not use this appliance if it comes in contact with water. Do not operate this appliance with wet hands
- The heating and cooking surfaces of the appliances become hot when in use, take all due precautions.
- Unstable pans should not be used on the appliances as they can cause an accident by tipping or spillage.
- Never leave the appliance unattended when cooking.
- Please refer to the manual for more information