

Edge II Double Bowl Universal Mount Sink Stainless Steel.

Product Code: 290605



Product Specifications.

Colour	Stainless Steel	Bowl 1 Size & Capacity	27L
Warranty	25 years - sink & tub body 5 years - wastes and clips 1 year - seals and labour	Bowl 2 Size & Capacity	27L
Material	304 grade 18/10 stainless steel	Inclusions	2 x 90mm A3 basket waste Top and under mount clips Cutout template Sealing tape
Configuration	Double Bowl	Maintenance & Care	Surfaces should be regularly cleaned with a soft, dampened cloth or sponge with warm, soapy water. Do not use abrasive brushes, scourers or harsh chemicals as these can damage the finish
Installation Type	Universal - Top, Under or Flush mount		
Design	10mm radius corners		
Tap Hole	0		
Finish	Satin Brushed		
Construction	Drawn		
Width	760mm		
Height	450mm		
Depth	200mm		

For more information call 1800 BATHROOM (1800 228 476) or visit raymor.com.au

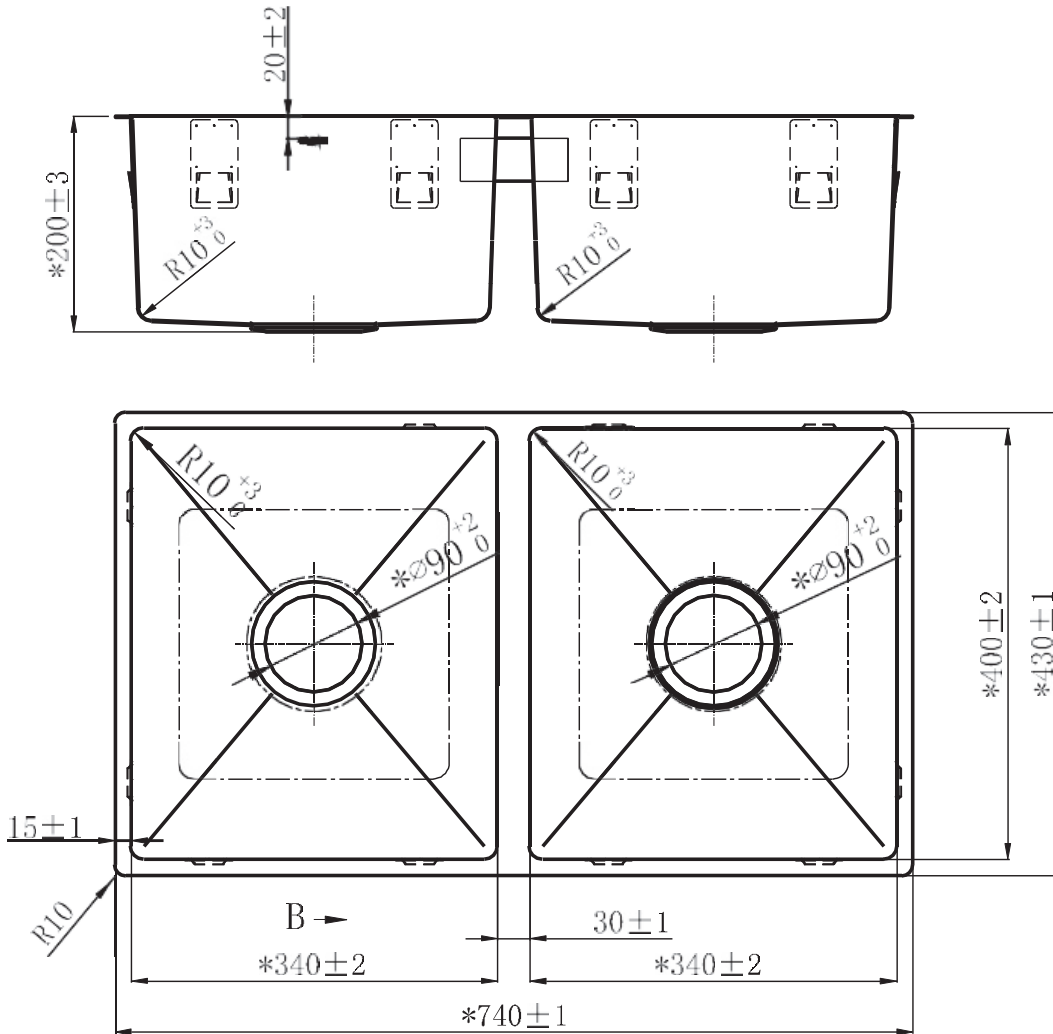
© Registered trademark of Tradelink. All dimensions are in millimetres. Dimensions are approximate and should be checked against the physical product before installation. Changes may be made to this specification without notice due to our commitment to continual improvement. See raymor.com.au for full warranty details.
All dimensions in mm.

Version 1

raymor

Edge II Double Bowl Universal Mount Sink Stainless Steel.

Product Code: 290605



For more information call 1800 BATHROOM (1800 228 476) or visit raymor.com.au

© Registered trademark of Tradelink. All dimensions are in millimetres. Dimensions are approximate and should be checked against the physical product before installation. Changes may be made to this specification without notice due to our commitment to continual improvement. See raymor.com.au for full warranty details.
All dimensions in mm.

Version 1

raymor

Edge II Single Bowl Universal Mount Sink Gunmetal.

Product Code: 290606



Product Specifications.

Colour	Gunmetal	Bowl 1 Size & Capacity	27L
Warranty	25 years - sink & tub body 5 years - wastes and clips 1 year - seals and labour	Inclusions	1 x 90mm A3 basket waste 1 x Bowl protector Top and under mount clips Cutout template Sealing tape
Material	304 grade 18/10 stainless steel	Maintenance & Care	Surfaces should be regularly cleaned with a soft, dampened cloth or sponge with warm, soapy water. Do not use abrasive brushes, scourers or harsh chemicals as these can damage the finish
Configuration	Single Bowl		
Installation Type	Universal - Top, Under or Flush mount		
Design	10mm radius corners		
Tap Hole	0		
Finish	Satin Brushed PVD with Nano coating		
Construction	Drawn		
Width	440mm		
Height	380mm		
Depth	200mm		

For more information call 1800 BATHROOM (1800 228 476) or visit raymor.com.au

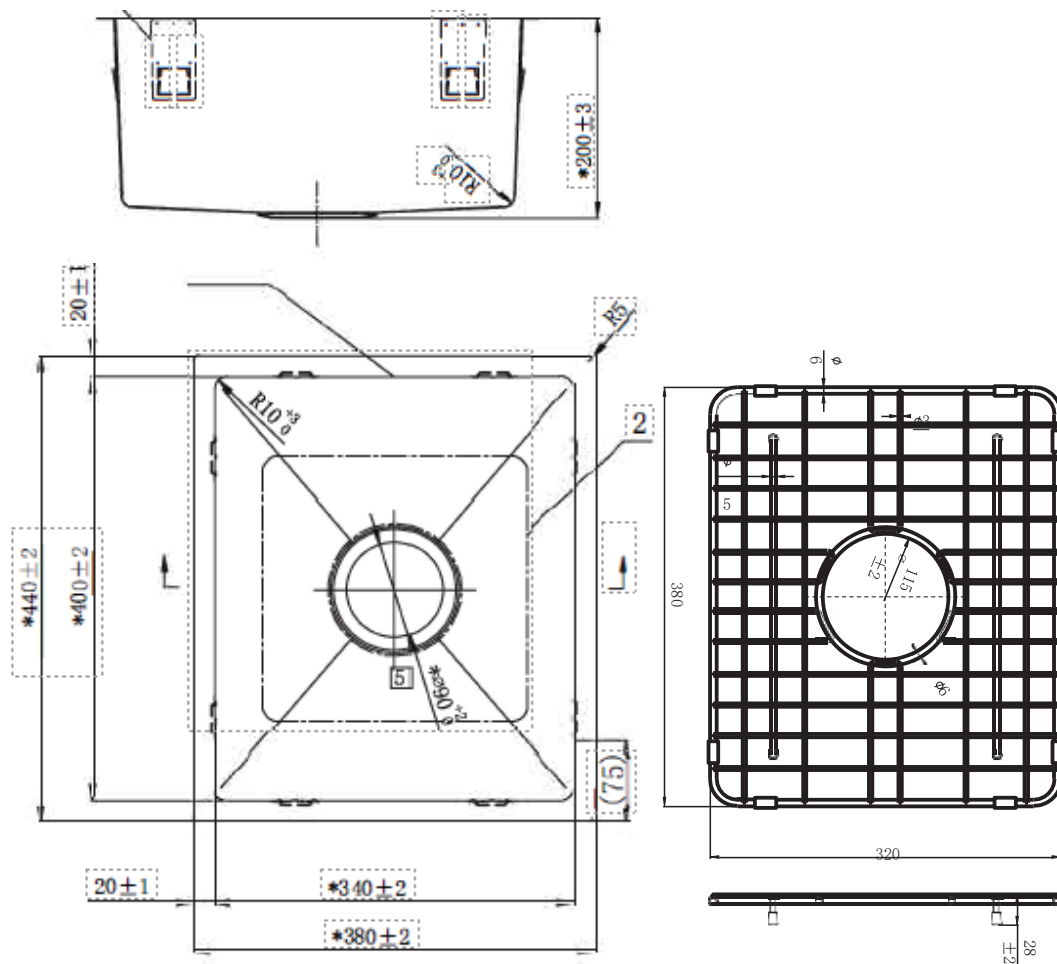
© Registered trademark of Tradelink. All dimensions are in millimetres. Dimensions are approximate and should be checked against the physical product before installation. Changes may be made to this specification without notice due to our commitment to continual improvement. See raymor.com.au for full warranty details.
All dimensions in mm.

Version 1

raymor

Edge II Single Bowl Universal Mount Sink Gunmetal.

Product Code: 290606



For more information call 1800 BATHROOM (1800 228 476) or visit raymor.com.au

® Registered trademark of Tradelink. All dimensions are in millimetres. Dimensions are approximate and should be checked against the physical product before installation. Changes may be made to this specification without notice due to our commitment to continual improvement. See raymor.com.au for full warranty details.
All dimensions in mm.

Version 1

raymor

Edge II Double Bowl Universal Mount Sink Gunmetal.

Product Code: 290607



Product Specifications.

Colour	Gunmetal	Bowl 1 Size & Capacity	27L
Warranty	25 years - sink & tub body 5 years - wastes and clips 1 year - seals and labour	Bowl 2 Size & Capacity	27L
Material	304 grade 18/10 stainless steel	Inclusions	2 x 90mm A3 basket waste 2 x Bowl protector Top and under mount clips Cutout template Sealing tape
Configuration	Double Bowl	Maintenance & Care	Surfaces should be regularly cleaned with a soft, dampened cloth or sponge with warm, soapy water. Do not use abrasive brushes, scourers or harsh chemicals as these can damage the finish
Installation Type	Universal - Top, Under or Flush mount		
Design	10mm radius corners		
Tap Hole	0		
Finish	Satin Brushed PVD with Nano coating		
Construction	Drawn		
Width	760mm		
Height	450mm		
Depth	200mm		

For more information call 1800 BATHROOM (1800 228 476) or visit raymor.com.au

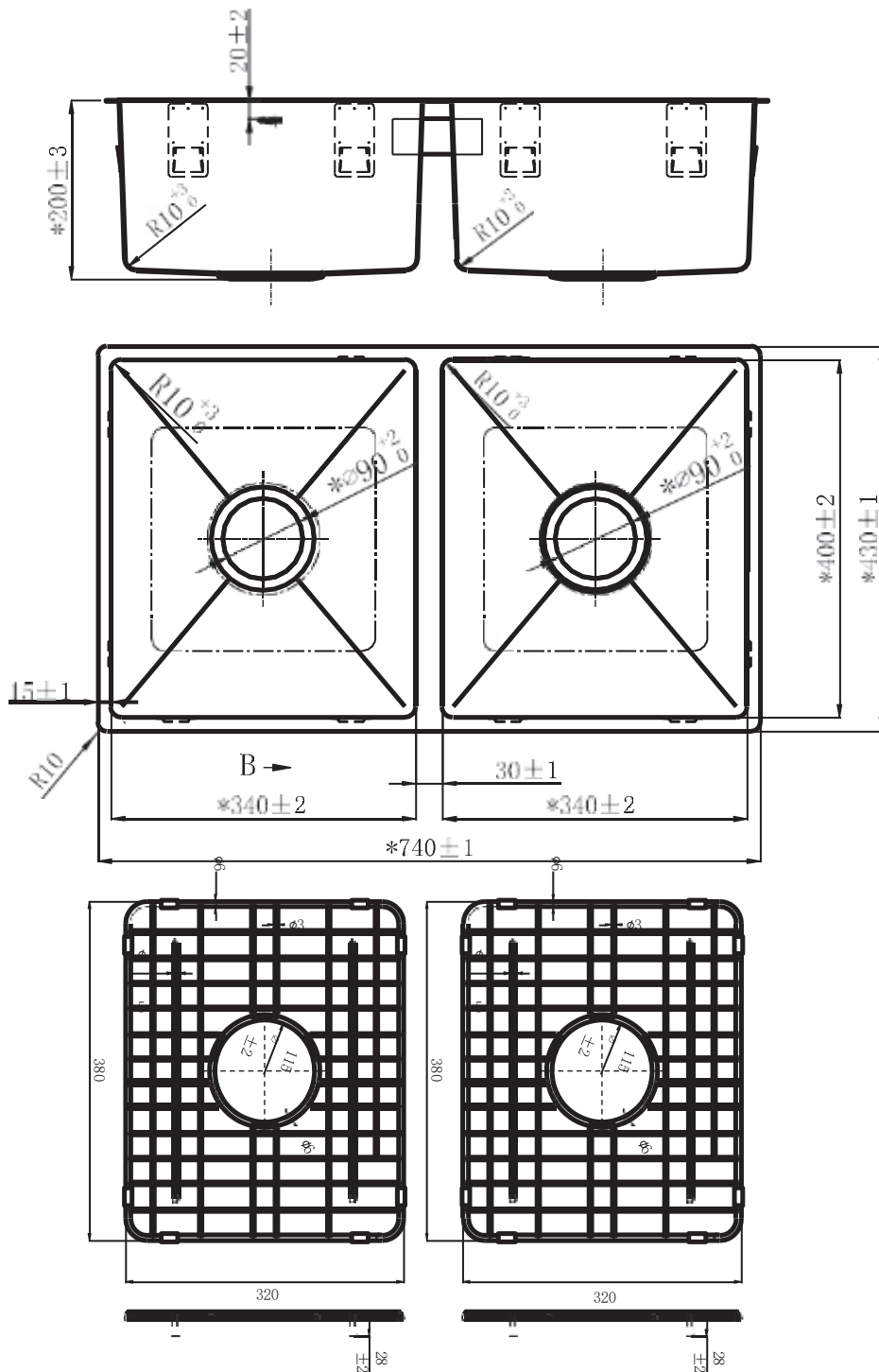
© Registered trademark of Tradelink. All dimensions are in millimetres. Dimensions are approximate and should be checked against the physical product before installation. Changes may be made to this specification without notice due to our commitment to continual improvement. See raymor.com.au for full warranty details.
All dimensions in mm.

Version 1

raymor

Edge II Double Bowl Universal Mount Sink Gunmetal.

Product Code: 290607



For more information call 1800 BATHROOM (1800 228 476) or visit raymor.com.au

© Registered trademark of Tradelink. All dimensions are in millimetres. Dimensions are approximate and should be checked against the physical product before installation. Changes may be made to this specification without notice due to our commitment to continual improvement. See raymor.com.au for full warranty details. All dimensions in mm.

Version 1

raymor

Projix Single Bowl Universal Mount Sink Stainless Steel.

Product Code: 290609



Product Specifications.

Colour	Stainless Steel	Bowl 1 Size & Capacity	28L
Warranty	25 years - sink & tub body 5 years - wastes and clips 1 year - seals and labour	Inclusions	1 x 90mm A3 basket waste Top and under mount clips Cutout template Sealing tape
Material	304 grade 18/10 stainless steel	Maintenance & Care	Surfaces should be regularly cleaned with a soft, dampened cloth or sponge with warm, soapy water. Do not use abrasive brushes, scourers or harsh chemicals as these can damage the finish
Configuration	Single Bowl		
Installation Type	Universal - Top, Under or Flush mount		
Design	25mm radius corners		
Tap Hole	0		
Finish	Satin Brushed		
Construction	Drawn		
Width	440mm		
Height	390mm		
Depth	200mm		

For more information call 1800 BATHROOM (1800 228 476) or visit raymor.com.au

© Registered trademark of Tradelink. All dimensions are in millimetres. Dimensions are approximate and should be checked against the physical product before installation. Changes may be made to this specification without notice due to our commitment to continual improvement. See raymor.com.au for full warranty details.

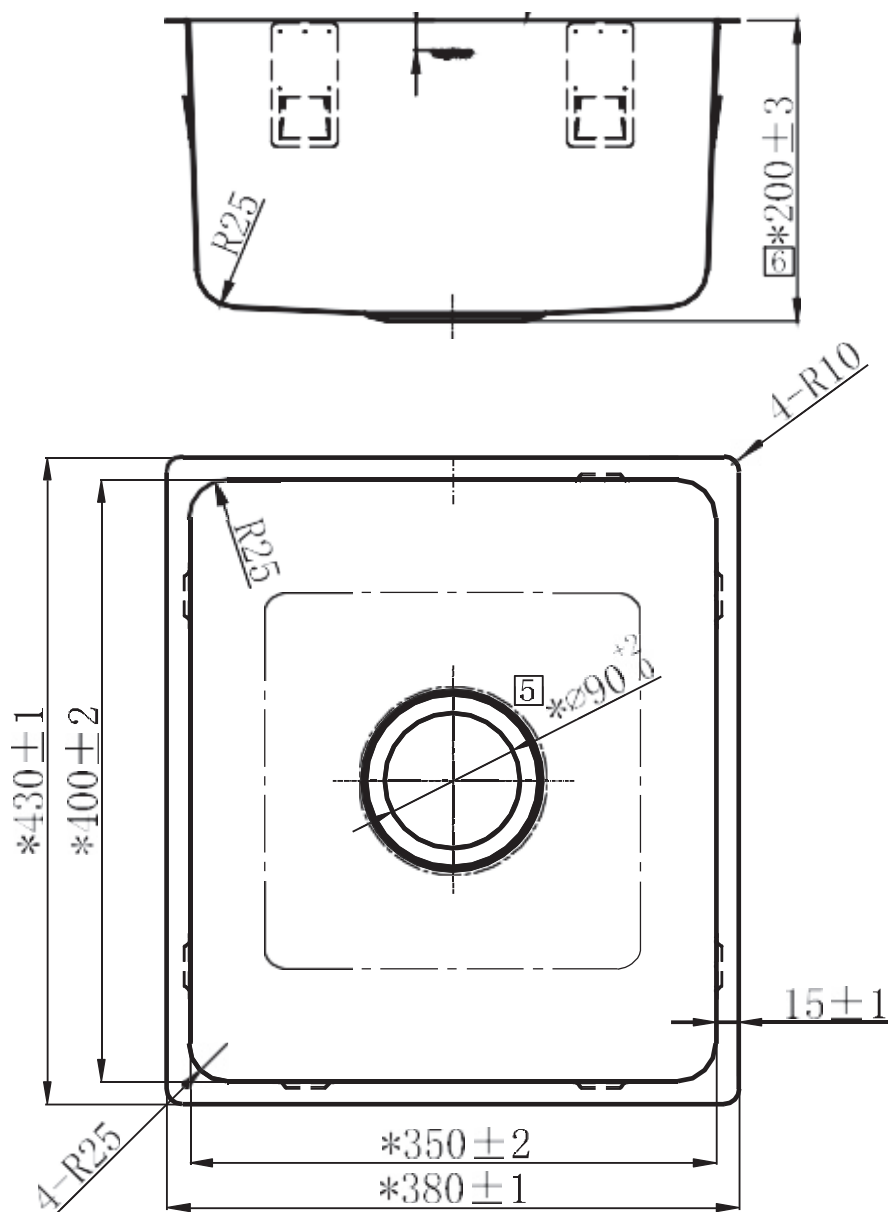
All dimensions in mm.

Version 1

raymor

Projix Single Bowl Universal Mount Sink Stainless Steel.

Product Code: 290609



For more information call 1800 BATHROOM (1800 228 476) or visit raymor.com.au

© Registered trademark of Tradelink. All dimensions are in millimetres. Dimensions are approximate and should be checked against the physical product before installation. Changes may be made to this specification without notice due to our commitment to continual improvement. See raymor.com.au for full warranty details.

All dimensions in mm.

Version 1

raymor

Projix Single LH Bowl Sink.

Product Code: 182109



Product Specifications.

Colour	Stainless Steel	Bowl 1 Size & Capacity	28L
Warranty	25 years - sink & tub body 5 years - wastes and clips 1 year - seals and labour	Inclusions	1 x 90mm A3 basket waste Top mount clips Cutout template Sealing tape
Material	304 grade 18/10 stainless steel	Maintenance & Care	Surfaces should be regularly cleaned with a soft, dampened cloth or sponge with warm, soapy water. Do not use abrasive brushes, scourers or harsh chemicals as these can damage the finish
Configuration	Single Left hand bowl, right hand drainer		
Installation Type	Top mount		
Design	25mm radius corners		
Tap Hole	1		
Finish	Satin Brushed		
Construction	Drawn		
Width	860mm		
Height	500mm		
Depth	215mm		

For more information call 1800 BATHROOM (1800 228 476) or visit raymor.com.au

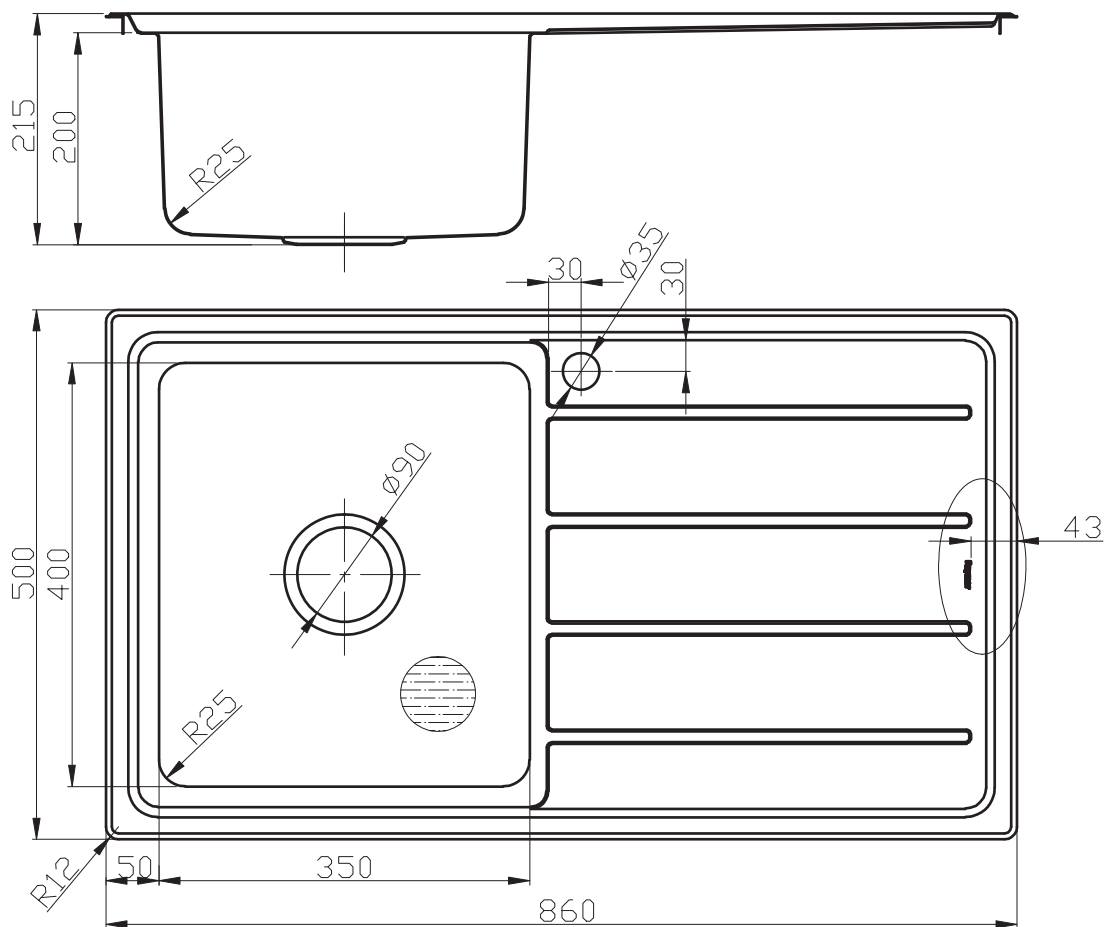
© Registered trademark of Tradelink. All dimensions are in millimetres. Dimensions are approximate and should be checked against the physical product before installation. Changes may be made to this specification without notice due to our commitment to continual improvement. See raymor.com.au for full warranty details.
All dimensions in mm.

Version 1

raymor

Projix Single LH Bowl Sink.

Product Code: 182109



For more information call 1800 BATHROOM (1800 228 476) or visit raymor.com.au

© Registered trademark of Tradelink. All dimensions are in millimetres. Dimensions are approximate and should be checked against the physical product before installation. Changes may be made to this specification without notice due to our commitment to continual improvement. See raymor.com.au for full warranty details.
All dimensions in mm.

Version 1

raymor

Projix Single RH Bowl Sink.

Product Code: 182110



Product Specifications.

Colour	Stainless Steel	Bowl 1 Size & Capacity	28L
Warranty	25 years - sink & tub body 5 years - wastes and clips 1 year - seals and labour	Inclusions	1 x 90mm A3 basket waste Top mount clips Cutout template Sealing tape
Material	304 grade 18/10 stainless steel	Maintenance & Care	Surfaces should be regularly cleaned with a soft, dampened cloth or sponge with warm, soapy water. Do not use abrasive brushes, scourers or harsh chemicals as these can damage the finish
Configuration	Single Right hand bowl, left hand drainer		
Installation Type	Top mount		
Design	25mm radius corners		
Tap Hole	1		
Finish	Satin Brushed		
Construction	Drawn		
Width	860mm		
Height	500mm		
Depth	215mm		

For more information call 1800 BATHROOM (1800 228 476) or visit raymor.com.au

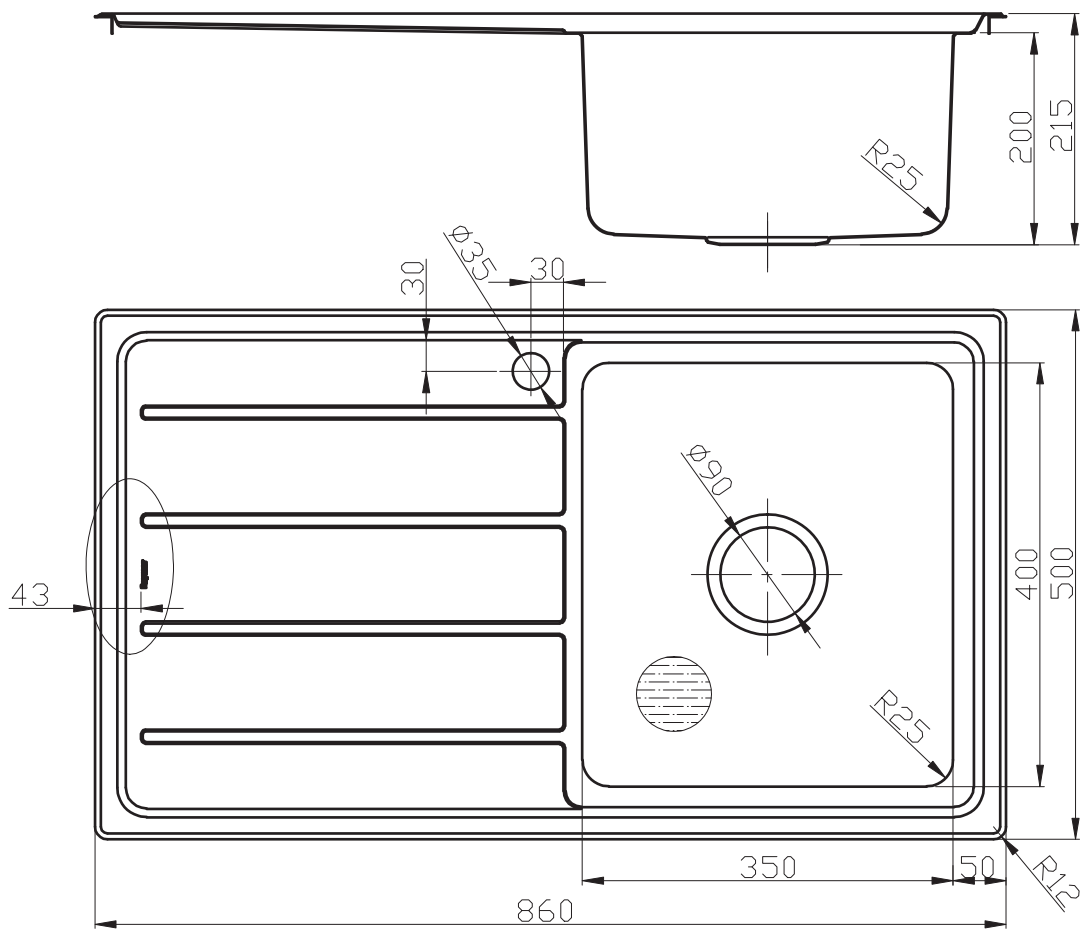
© Registered trademark of Tradelink. All dimensions are in millimetres. Dimensions are approximate and should be checked against the physical product before installation. Changes may be made to this specification without notice due to our commitment to continual improvement. See raymor.com.au for full warranty details.
All dimensions in mm.

Version 1

raymor

Projix Single RH Bowl Sink.

Product Code: 182110



For more information call 1800 BATHROOM (1800 228 476) or visit raymor.com.au

® Registered trademark of Tradelink. All dimensions are in millimetres. Dimensions are approximate and should be checked against the physical product before installation. Changes may be made to this specification without notice due to our commitment to continual improvement. See raymor.com.au for full warranty details.

All dimensions in mm.

Version 1

raymor

Projix 1 & 3/4 LH Bowl Sink.

Product Code: 182111



Product Specifications.

Colour	Stainless Steel	Bowl 1 Size & Capacity	28L
Warranty	25 years - sink & tub body 5 years - wastes and clips 1 year - seals and labour	Bowl 2 Size & Capacity	19L
Material	304 grade 18/10 stainless steel	Inclusions	1 x 90mm A3 basket waste 1 x 90mm A4 basket waste Top mount clips Cutout template Sealing tape
Configuration	1 & 3/4 Left hand bowls, right hand drainer	Maintenance & Care	Surfaces should be regularly cleaned with a soft, dampened cloth or sponge with warm, soapy water. Do not use abrasive brushes, scourers or harsh chemicals as these can damage the finish
Installation Type	Top mount		
Design	25mm radius corners		
Tap Hole	1		
Finish	Satin Brushed		
Construction	Drawn		
Width	1160mm		
Height	500mm		
Depth	215mm		

For more information call 1800 BATHROOM (1800 228 476) or visit raymor.com.au

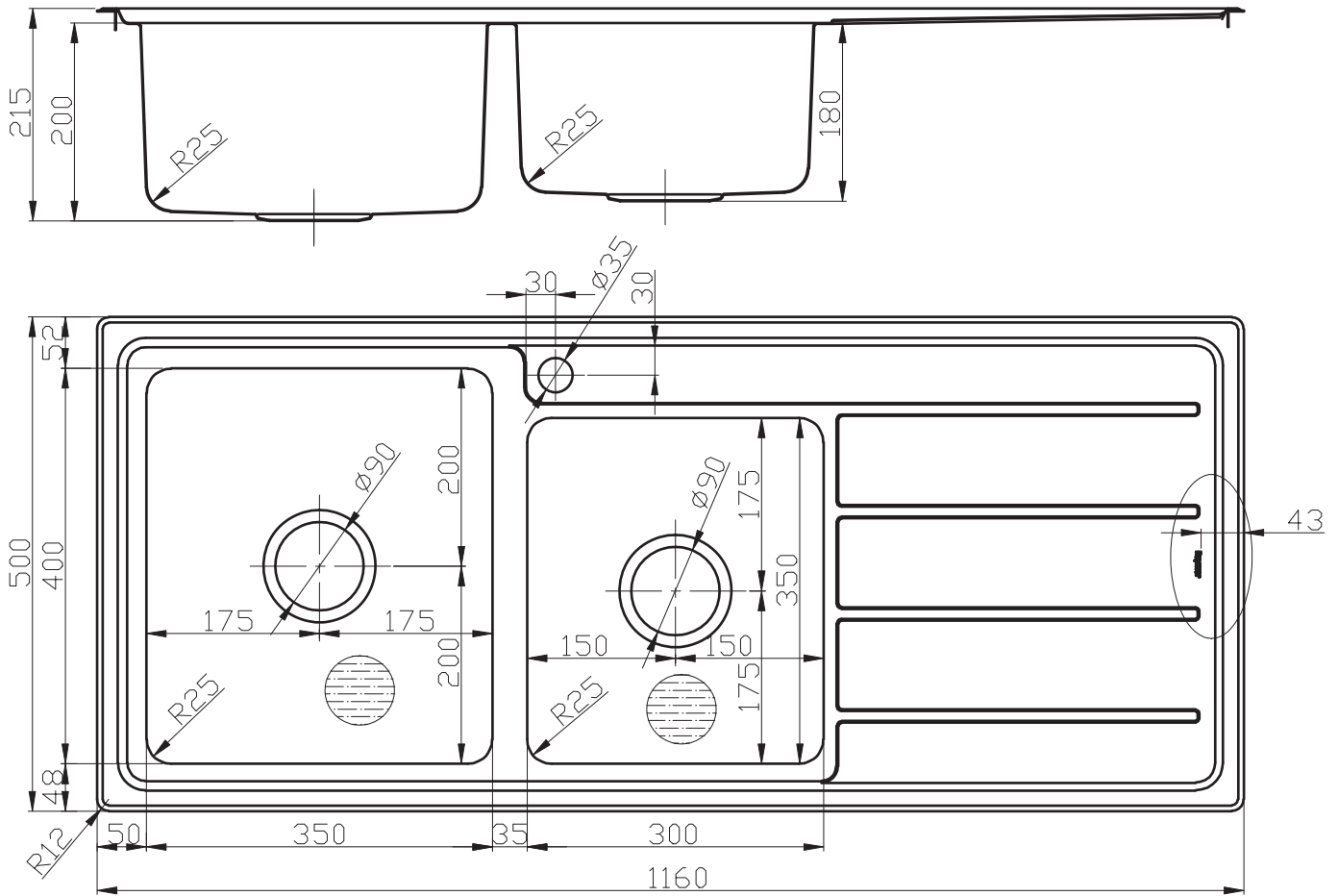
© Registered trademark of Tradelink. All dimensions are in millimetres. Dimensions are approximate and should be checked against the physical product before installation. Changes may be made to this specification without notice due to our commitment to continual improvement. See raymor.com.au for full warranty details.
All dimensions in mm.

Version 1

raymor

Projix 1 & 3/4 LH Bowl Sink.

Product Code: 182111



For more information call 1800 BATHROOM (1800 228 476) or visit raymor.com.au

© Registered trademark of Tradelink. All dimensions are in millimetres. Dimensions are approximate and should be checked against the physical product before installation. Changes may be made to this specification without notice due to our commitment to continual improvement. See raymor.com.au for full warranty details.
All dimensions in mm.

Version 1

raymor

Projix 1 & 3/4 RH Bowl Sink.

Product Code: 182112



Product Specifications.

Colour	Stainless Steel	Bowl 1 Size & Capacity	28L
Warranty	25 years - sink & tub body 5 years - wastes and clips 1 year - seals and labour	Bowl 2 Size & Capacity	19L
Material	304 grade 18/10 stainless steel	Inclusions	1 x 90mm A3 basket waste 1 x 90mm A4 basket waste Top mount clips Cutout template Sealing tape
Configuration	1 & 3/4 Right hand bowls, left hand drainer	Maintenance & Care	Surfaces should be regularly cleaned with a soft, dampened cloth or sponge with warm, soapy water. Do not use abrasive brushes, scourers or harsh chemicals as these can damage the finish
Installation Type	Top mount		
Design	25mm radius corners		
Tap Hole	1		
Finish	Satin Brushed		
Construction	Drawn		
Width	1160mm		
Height	500mm		
Depth	215mm		

For more information call 1800 BATHROOM (1800 228 476) or visit raymor.com.au

© Registered trademark of Tradelink. All dimensions are in millimetres. Dimensions are approximate and should be checked against the physical product before installation. Changes may be made to this specification without notice due to our commitment to continual improvement. See raymor.com.au for full warranty details.
All dimensions in mm.

Version 1

raymor

Sigma Double Bowl Universal Mount Sink.

Product Code: 182113



Product Specifications.

Colour	Stainless Steel	Bowl 1 Size & Capacity	27L
Warranty	25 years - sink & tub body 5 years - wastes and clips 1 year - seals and labour	Bowl 2 Size & Capacity	27L
Material	304 grade 18/10 stainless steel	Inclusions	2 x 90mm A4 basket waste Mount clips Cutout template Sealing tape
Configuration	Double Bowl	Maintenance & Care	Surfaces should be regularly cleaned with a soft, dampened cloth or sponge with warm, soapy water. Do not use abrasive brushes, scourers or harsh chemicals as these can damage the finish
Installation Type	Under mount		
Design	15mm radius corners		
Tap Hole	0		
Finish	Satin Brushed		
Construction	Handmade		
Width	760mm		
Height	440mm		
Depth	200mm		

For more information call 1800 BATHROOM (1800 228 476) or visit raymor.com.au

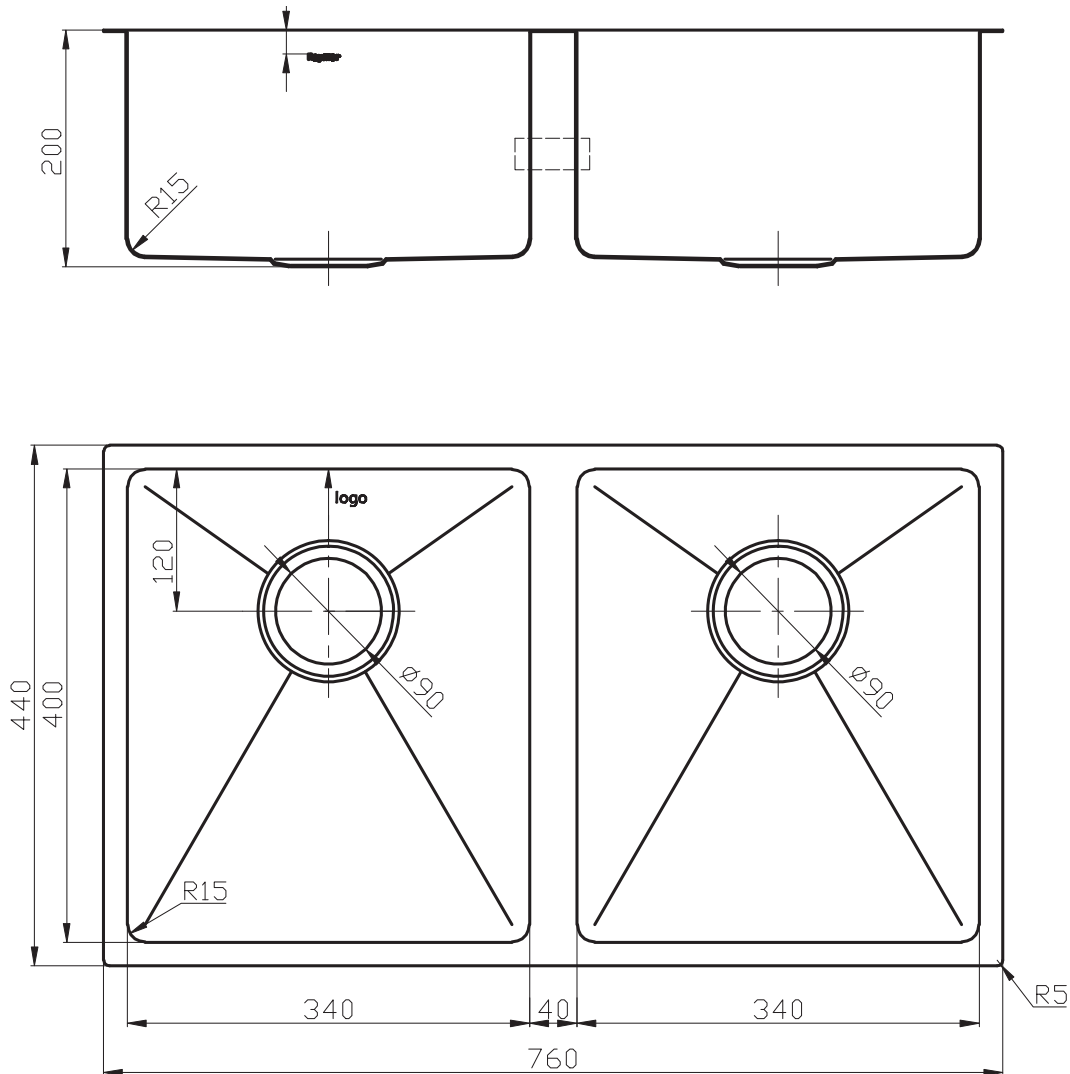
© Registered trademark of Tradelink. All dimensions are in millimetres. Dimensions are approximate and should be checked against the physical product before installation. Changes may be made to this specification without notice due to our commitment to continual improvement. See raymor.com.au for full warranty details.
All dimensions in mm.

Version 1

raymor

Sigma Double Bowl Universal Mount Sink.

Product Code: 182113



For more information call 1800 BATHROOM (1800 228 476) or visit raymor.com.au

© Registered trademark of Tradelink. All dimensions are in millimetres. Dimensions are approximate and should be checked against the physical product before installation. Changes may be made to this specification without notice due to our commitment to continual improvement. See raymor.com.au for full warranty details.
All dimensions in mm.

Version 1

raymor

Projix 45L 1TH Tub.

Product Code: 182430



Product Specifications.

Colour	Stainless Steel	Bowl 1 Size & Capacity	45L
Warranty	25 years - sink & tub body 5 years - wastes and clips 1 year - seals and labour	Inclusions	1 x 90mm A3 basket waste Mount clips Cutout template Sealing tape
Material	304 grade 18/10 stainless steel	Maintenance & Care	Surfaces should be regularly cleaned with a soft, dampened cloth or sponge with warm, soapy water. Do not use abrasive brushes, scourers or harsh chemicals as these can damage the finish
Configuration	Single bowl with tap landing		
Installation Type	Top mount		
Design	10mm radius corners		
Tap Hole	1		
Finish	Satin Brushed		
Construction	Handmade		
Width	590mm		
Height	510mm		
Depth	225mm		

For more information call 1800 BATHROOM (1800 228 476) or visit raymor.com.au

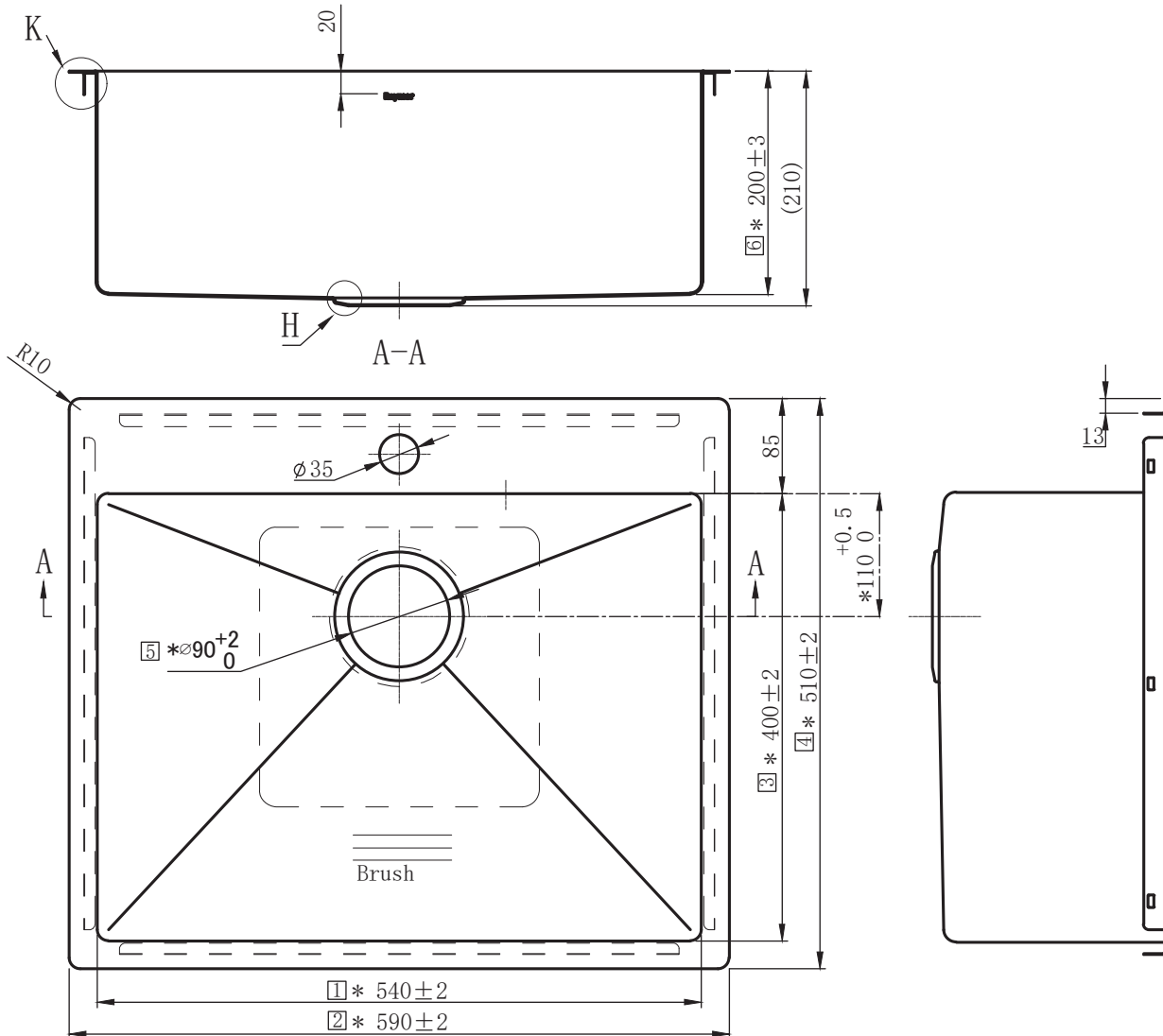
© Registered trademark of Tradelink. All dimensions are in millimetres. Dimensions are approximate and should be checked against the physical product before installation. Changes may be made to this specification without notice due to our commitment to continual improvement. See raymor.com.au for full warranty details.
All dimensions in mm.

Version 1

raymor

Projix 45L 1TH Tub.

Product Code: 182430



For more information call 1800 BATHROOM (1800 228 476) or visit raymor.com.au

© Registered trademark of Tradelink. All dimensions are in millimetres. Dimensions are approximate and should be checked against the physical product before installation. Changes may be made to this specification without notice due to our commitment to continual improvement. See raymor.com.au for full warranty details.
All dimensions in mm.

Version 1

raymor

Projix 35L 1TH Tub.

Product Code: 182431



Product Specifications.

Colour	Stainless Steel	Bowl 1 Size & Capacity	36L
Warranty	25 years - sink & tub body 5 years - wastes and clips 1 year - seals and labour	Inclusions	1 x 90mm A3 basket waste Mount clips Cutout template Sealing tape
Material	304 grade 18/10 stainless steel	Maintenance & Care	Surfaces should be regularly cleaned with a soft, dampened cloth or sponge with warm, soapy water. Do not use abrasive brushes, scourers or harsh chemicals as these can damage the finish
Configuration	Single bowl with tap landing		
Installation Type	Top mount		
Design	10mm radius corners		
Tap Hole	1		
Finish	Satin Brushed		
Construction	Handmade		
Width	510mm		
Height	510mm		
Depth	210mm		

For more information call 1800 BATHROOM (1800 228 476) or visit raymor.com.au

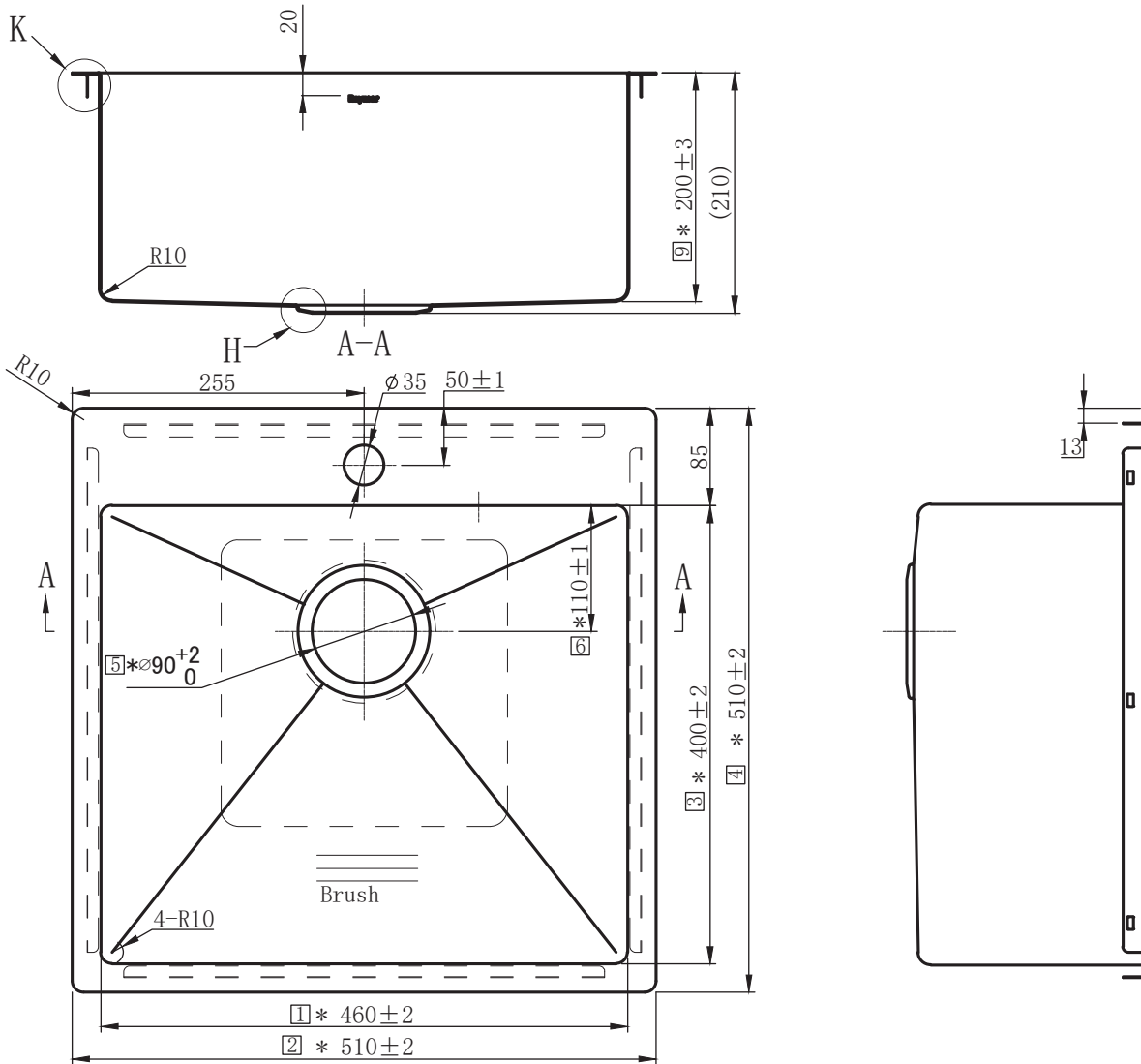
© Registered trademark of Tradelink. All dimensions are in millimetres. Dimensions are approximate and should be checked against the physical product before installation. Changes may be made to this specification without notice due to our commitment to continual improvement. See raymor.com.au for full warranty details.
All dimensions in mm.

Version 1

raymor

Projix 35L 1TH Tub.

Product Code: 182431



For more information call 1800 BATHROOM (1800 228 476) or visit raymor.com.au

© Registered trademark of Tradelink. All dimensions are in millimetres. Dimensions are approximate and should be checked against the physical product before installation. Changes may be made to this specification without notice due to our commitment to continual improvement. See raymor.com.au for full warranty details. All dimensions in mm.

Version 1

raymor

Projix 45L Tub & Cabinet with Bypass & Reversible Door.

Product Code: 182432



Product Specifications.

Colour	Stainless Steel & White	Bowl 1 Size & Capacity	45L
Warranty	25 years - sink & tub body 5 years - wastes and clips 1 year - seals and labour	Inclusions	1 x 90mm A3 basket waste 1 x Flexible bypass kit 4 x Adjustable feet Tap hole and hose hole covers
Material	Sink 304 grade 18/10 stainless steel Cabinet powder coated galvanized steel	Maintenance & Care	Surfaces should be regularly cleaned with a soft, dampened cloth or sponge with warm, soapy water. Do not use abrasive brushes, scourers or harsh chemicals as these can damage the finish
Configuration	Freestanding cabinet with sink, soft close reversible door		
Installation Type	Freestanding		
Tap Hole	1 taphole and 1 bypass hole		
Finish	Satin Brushed, White powder coat		
Width	600mm		
Height	871mm - 896mm		
Depth	500mm		

For more information call 1800 BATHROOM (1800 228 476) or visit raymor.com.au

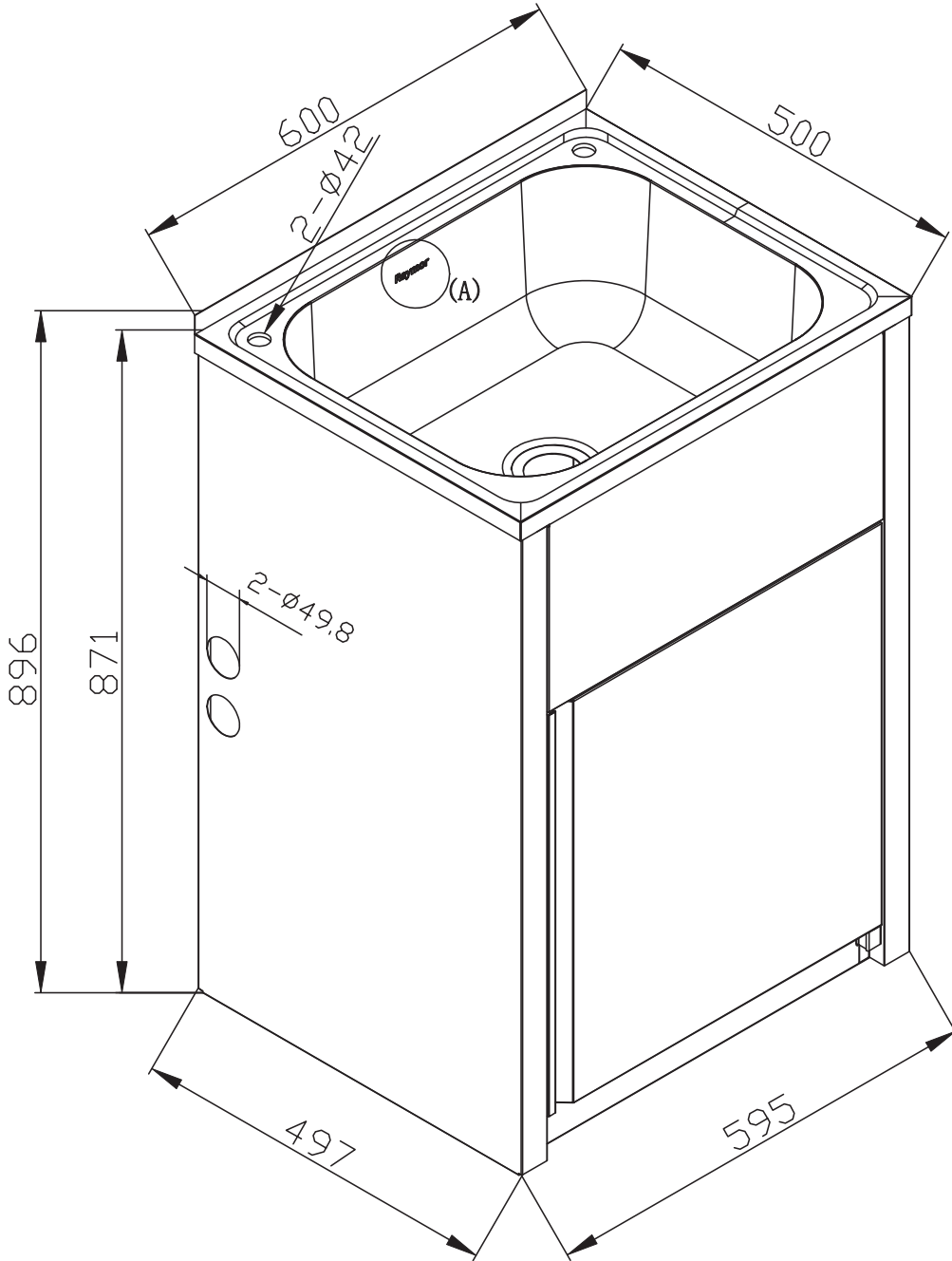
© Registered trademark of Tradelink. All dimensions are in millimetres. Dimensions are approximate and should be checked against the physical product before installation. Changes may be made to this specification without notice due to our commitment to continual improvement. See raymor.com.au for full warranty details.
All dimensions in mm.

Version 1

raymor

Projix 45L Tub & Cabinet with Bypass & Reversible Door.

Product Code: 182432



For more information call 1800 BATHROOM (1800 228 476) or visit raymor.com.au

® Registered trademark of Tradelink. All dimensions are in millimetres. Dimensions are approximate and should be checked against the physical product before installation. Changes may be made to this specification without notice due to our commitment to continual improvement. See raymor.com.au for full warranty details.
All dimensions in mm.

Version 1

raymor

Projix 35L Compact Tub & Cabinet with Bypass & Reversible Door.

Product Code: 275297



Product Specifications.

Colour	Stainless Steel & White	Bowl 1 Size & Capacity	37L
Warranty	25 years - sink & tub body 5 years - wastes and clips 1 year - seals and labour	Inclusions	1 x 90mm A3 basket waste 1 x Flexible bypass kit 4 x Adjustable feet Tap hole and hose hole covers
Material	Sink 304 grade 18/10 stainless steel Cabinet powder coated galvanized steel	Maintenance & Care	Surfaces should be regularly cleaned with a soft, dampened cloth or sponge with warm, soapy water. Do not use abrasive brushes, scourers or harsh chemicals as these can damage the finish
Configuration	Freestanding cabinet with sink, soft close reversible door		
Installation Type	Freestanding		
Tap Hole	1 taphole and 1 bypass hole		
Finish	Satin Brushed, White powder coat		
Width	394mm		
Height	896mm - 905mm		
Depth	570mm		

For more information call 1800 BATHROOM (1800 228 476) or visit raymor.com.au

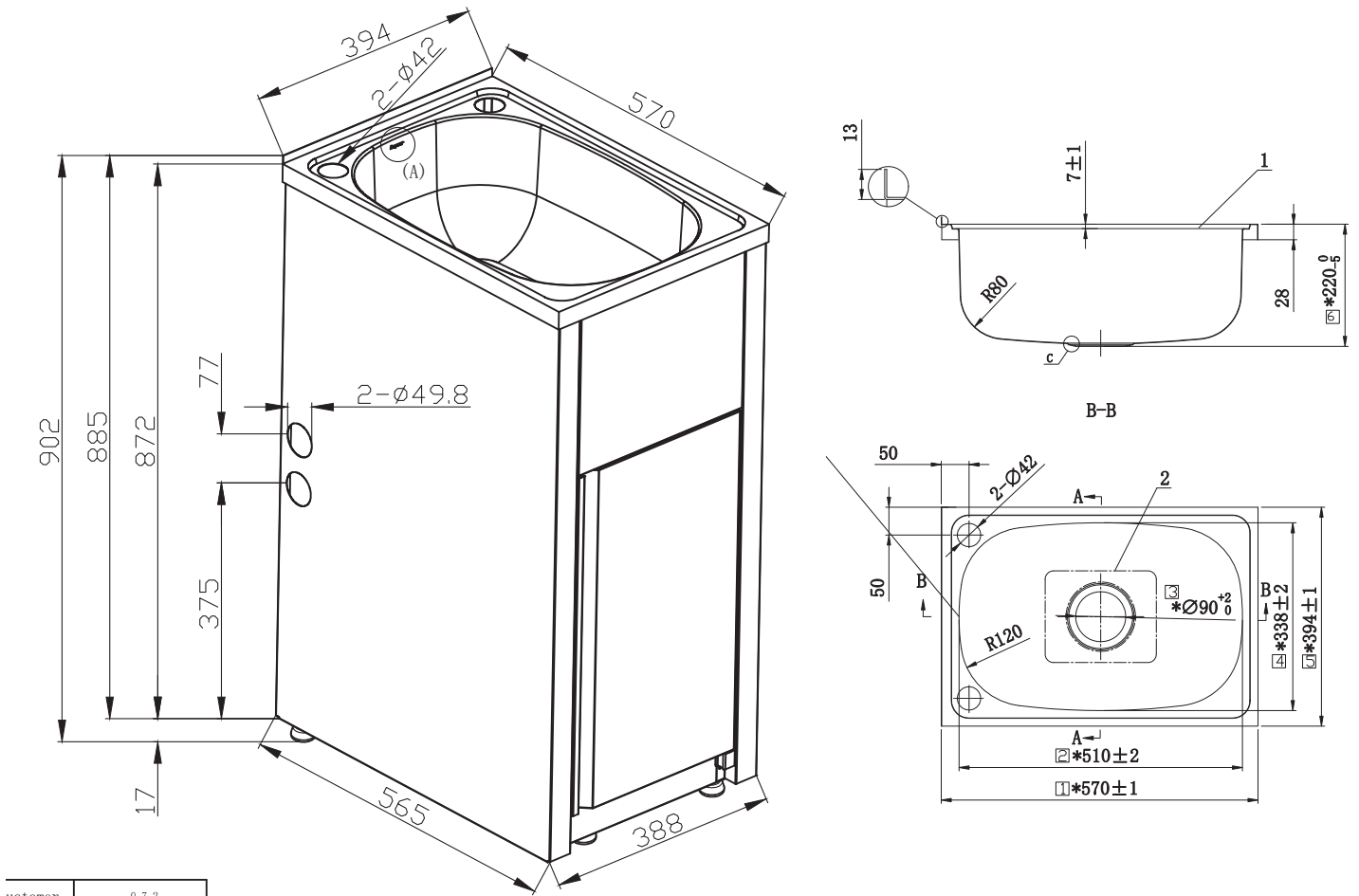
© Registered trademark of Tradelink. All dimensions are in millimetres. Dimensions are approximate and should be checked against the physical product before installation. Changes may be made to this specification without notice due to our commitment to continual improvement. See raymor.com.au for full warranty details.
All dimensions in mm.

Version 1

raymor

Projix 35L Compact Tub & Cabinet with Bypass & Reversible Door.

Product Code: 275297



For more information call 1800 BATHROOM (1800 228 476) or visit raymor.com.au

® Registered trademark of Tradelink. All dimensions are in millimetres. Dimensions are approximate and should be checked against the physical product before installation. Changes may be made to this specification without notice due to our commitment to continual improvement. See raymor.com.au for full warranty details. All dimensions in mm.

Version 1

raymor