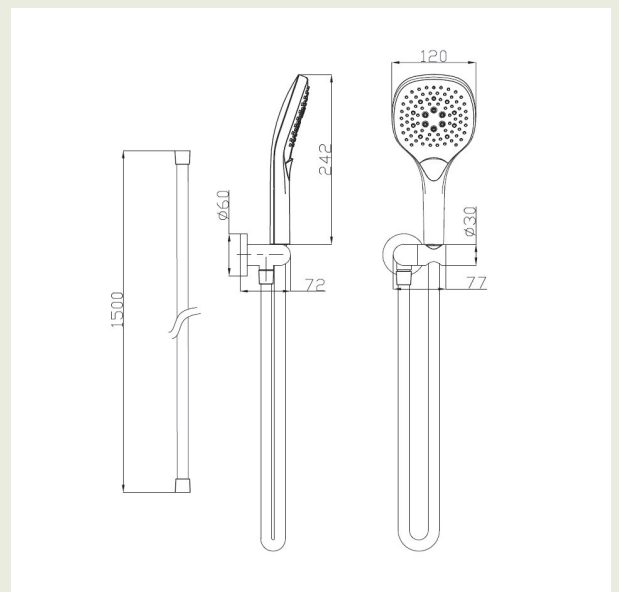


# Edge II Hand Shower 3 Function Chrome.

Product Code: 290629

## Product Specifications.

|                               |  |
|-------------------------------|--|
| <b>WELS rating</b>            | WELS 3 Star 9.0L/min   |
| <b>WELS Registration No.</b>  |  |
| <b>Warranty</b>               | 20 years - main brass body, wall elbow, shower arm, shower rail, PVC coated hose, showerhead, handpiece, slide bracket, diverter assembly, soap dish, and chrome plated finish<br>5 years - PVD and electroplate finishes<br>1 year - seals and labour |
| <b>Colour</b>                 | Chrome   |
| <b>Finish</b>                 | Electroplated inlet and cradle, painted ABS  |
| <b>Installation Type</b>      | Wall mount   |
| <b>Material</b>               | Brass and zinc inlet and cradle<br>PVC hose<br>ABS hand shower   |
| <b>Shower Type</b>            | Hand shower  |
| <b>Diverter operation</b>     | n/a  |
| <b>Function</b>               | 3 function hand shower with push button operation  |
| <b>Shower Reach</b>           | n/a  |
| <b>Rail Length</b>            | n/a  |
| <b>Rail Diameter</b>          | n/a  |
| <b>Shower Rose Diameter</b>   | n/a  |
| <b>Hand Shower Diameter</b>   | 120mm  |
| <b>Width</b>                  |  |
| <b>Height</b>                 |  |
| <b>Depth</b>                  |  |
| <b>Inclusions</b>             | Inlet elbow and cradle<br>1.5m hose<br>Hand piece<br>Installation Instructions   |
| <b>Maintenance &amp; Care</b> | Clean using a soft sponge or cloth with warm soapy water or detergent. Never use abrasive brushes or scourer pads to clean products.<br>Rinse with water immediately after using any cleaning solution   |



For more information call 1800 BATHROOM (1800 228 476) or visit [raymor.com.au](http://raymor.com.au)

© Registered trademark of Tradelink. All dimensions are in millimetres. Dimensions are approximate and should be checked against the physical product before installation. Changes may be made to this specification without notice due to our commitment to continual improvement. See [raymor.com.au](http://raymor.com.au) for full warranty details.

All dimensions in mm.

Version 1

raymor