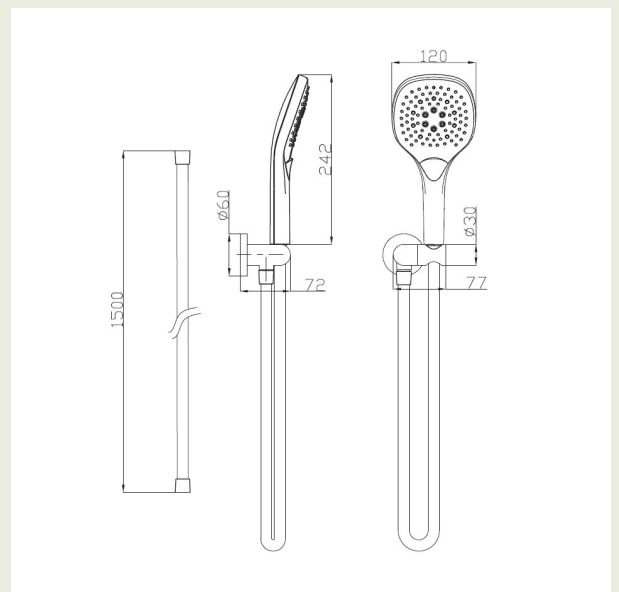
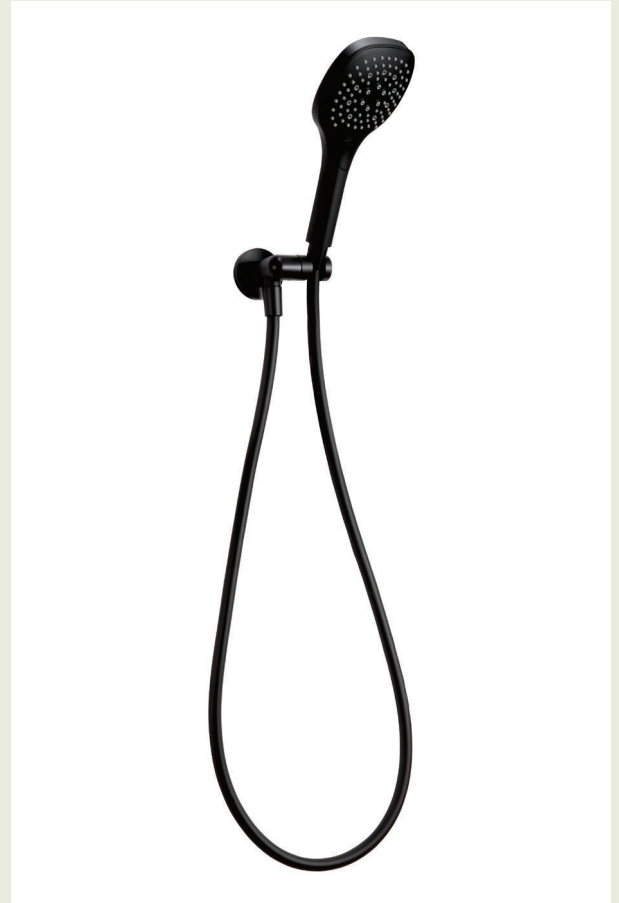


Edge II Hand Shower 3 Function Black.

Product Code: 290630

Product Specifications.

WELS rating	WELS 3 Star 9.0L/min
WELS Registration No.	
Warranty	20 years - main brass body, wall elbow, shower arm, shower rail, PVC coated hose, showerhead, handpiece, slide bracket, diverter assembly, soap dish, and chrome plated finish 5 years - PVD and electroplate finishes 1 year - seals and labour
Colour	Black
Finish	Electroplated inlet and cradle, painted ABS
Installation Type	Wall mount
Material	Brass and zinc inlet and cradle PVC hose ABS hand shower
Shower Type	Hand shower
Diverter operation	n/a
Function	3 function hand shower with push button operation
Shower Reach	n/a
Rail Length	n/a
Rail Diameter	n/a
Shower Rose Diameter	n/a
Hand Shower Diameter	120mm
Width	
Height	
Depth	
Inclusions	Inlet elbow and cradle 1.5m hose Hand piece Installation Instructions
Maintenance & Care	Clean using a soft sponge or cloth with warm soapy water or detergent. Never use abrasive brushes or scourer pads to clean products. Rinse with water immediately after using any cleaning solution



For more information call 1800 BATHROOM (1800 228 476) or visit raymor.com.au

© Registered trademark of Tradelink. All dimensions are in millimetres. Dimensions are approximate and should be checked against the physical product before installation. Changes may be made to this specification without notice due to our commitment to continual improvement. See raymor.com.au for full warranty details.

All dimensions in mm.

Version 1

raymor