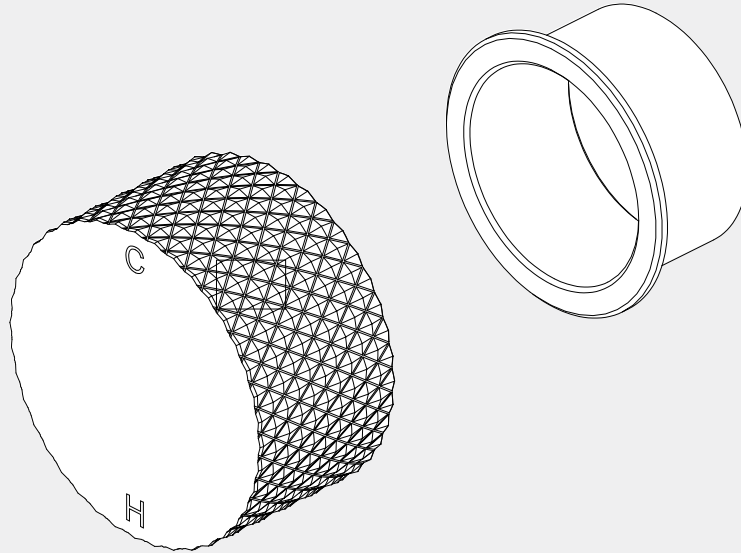


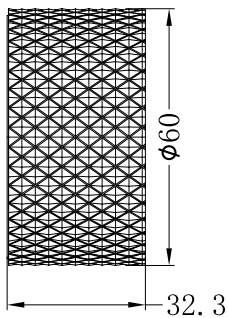
# Opal Progressive Progressive Shower Mixer Trim Kits Only

# Nero



Versions:202311

## Top/Back



## Specifications

### SKU

NR252009t

### Watermark License

WM-060073

### Temperature Rating

Min 1°C-Max 75°C

### Pressure Rating

Min 150kpa - Max 500kpa

## Finish

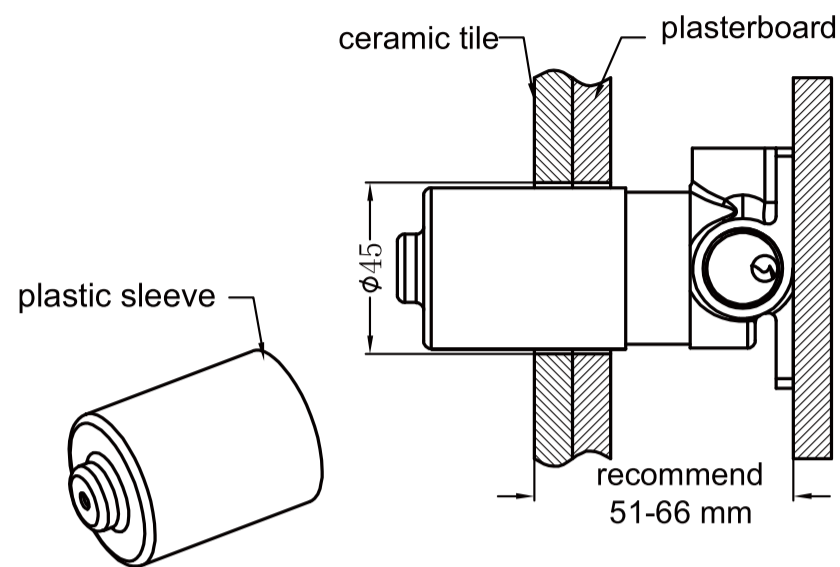
- |  |  |
|--|--|
|  <b>Brushed Bronze</b><br>NR252009tBZ |  <b>Graphite</b><br>NR252009tGR       |
|  <b>Brushed Gold</b><br>NR252009tBG   |  <b>Brushed Nickel</b><br>NR252009tBN |

## Packaging Includes

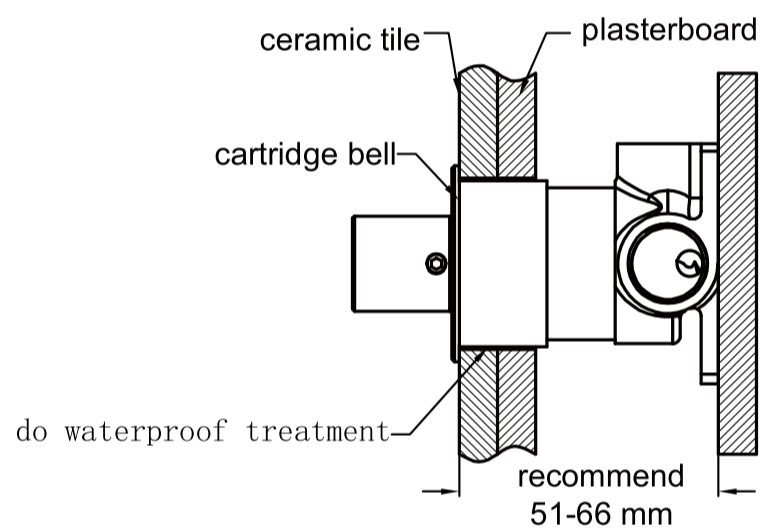
1x hand wheel  
1x cartridge bell

\*Dimensions are nominal measurements only.

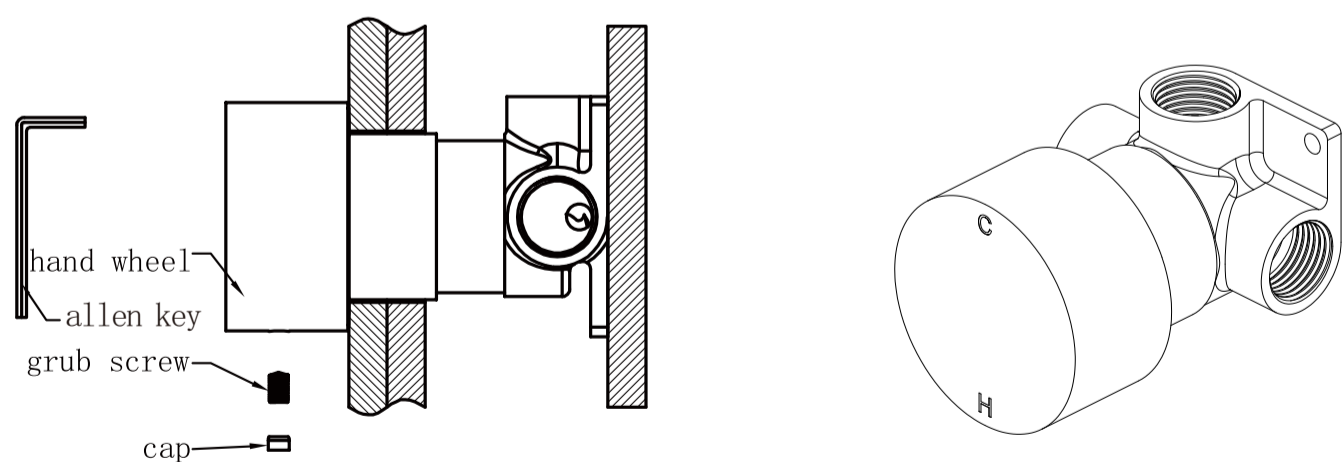
# Installation Instruction For Trim Kits



1. Remove plastic sleeve.



2. Put cartridge bell onto body and do waterproof treatment for the gap between cartridge bell and plasterboard and ceramic tile.



3. Make hand wheel into connecting rod, turn the hand wheel counterclockwise to the end. Then reinstall the hand wheel, make the "C" should be on twelve o'clock direction and "H" on the six o'clock direction, according to above picture. Then tighten grub screw of hand wheel by allen key, put cap into hand wheel.

# Nero

[info@nerotapware.com.au](mailto:info@nerotapware.com.au)  
[nerotapware.com.au](http://nerotapware.com.au)

11-13 Buontempo Road  
Carrum Downs Vic 3201

