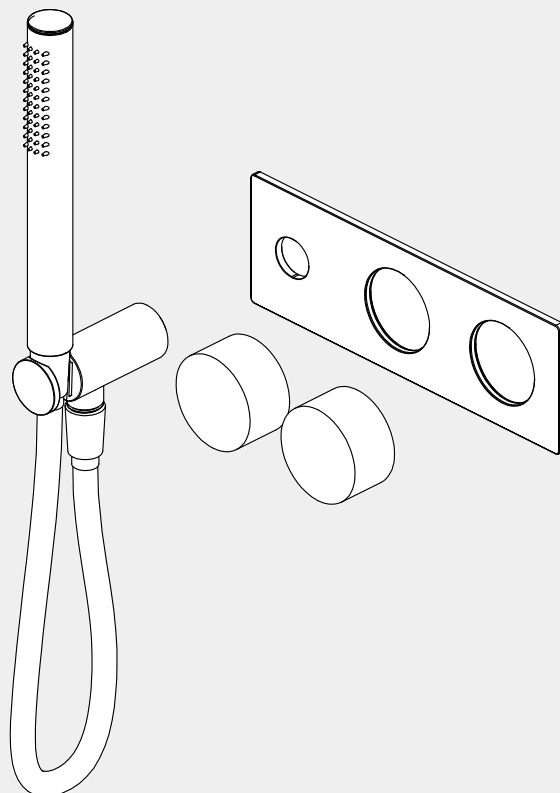


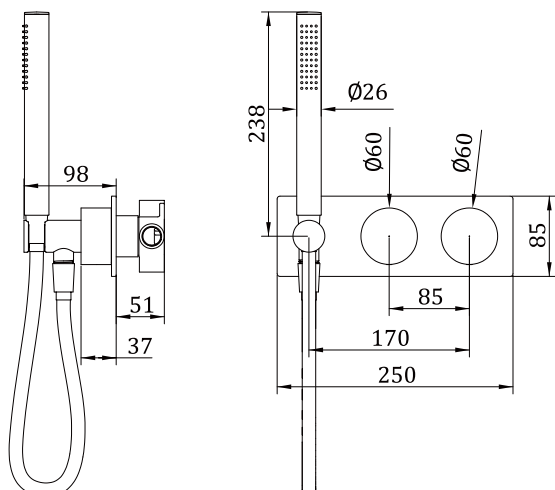
# Kara Progressive Shower System Trim Kits Only

# Nero



Versions:202401

## Drawing



## Specifications

### Watermark License

WM-060073

### Temperature Rating

Min 1°C-Max 75°C

### Pressure Rating

Min 150kpa - Max 500kpa

## Finish & SKU

● Chrome  
NR271903ctCH

● Matte Black  
NR271903ctMB

● Gun Metal  
NR271903ctGM

● Brushed Gold  
NR271903ctBG

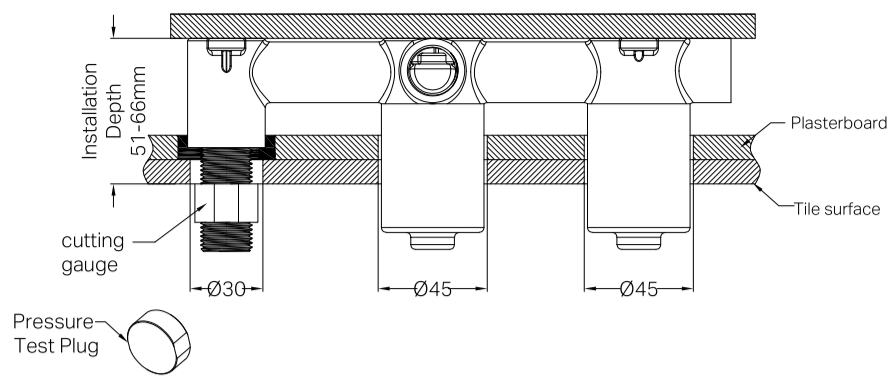
● Brushed Bronze  
NR271903ctBZ

● Brushed Nickel  
NR271903ctBN

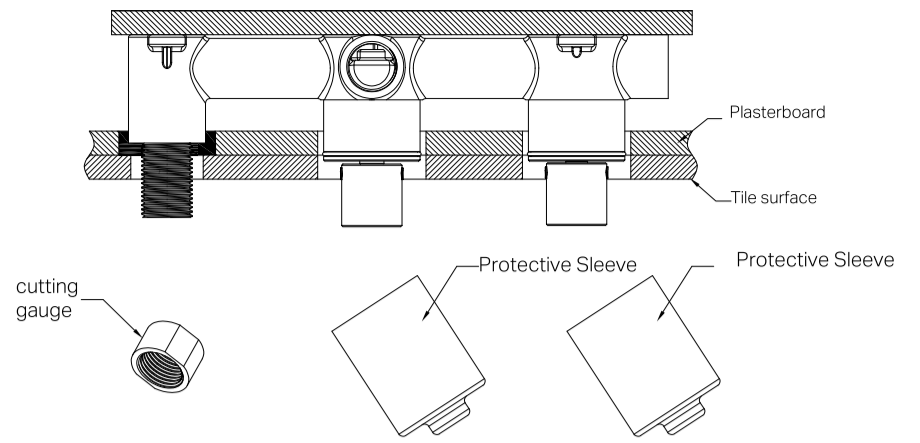
## Packaging Includes

- 1x Plate
- 1x Hand- Wheel
- 1x Diverter Knob
- 1x Hand Shower( Within Check- Valve)
- 1x 1m PVC Hose
- 1x Shower Bracket

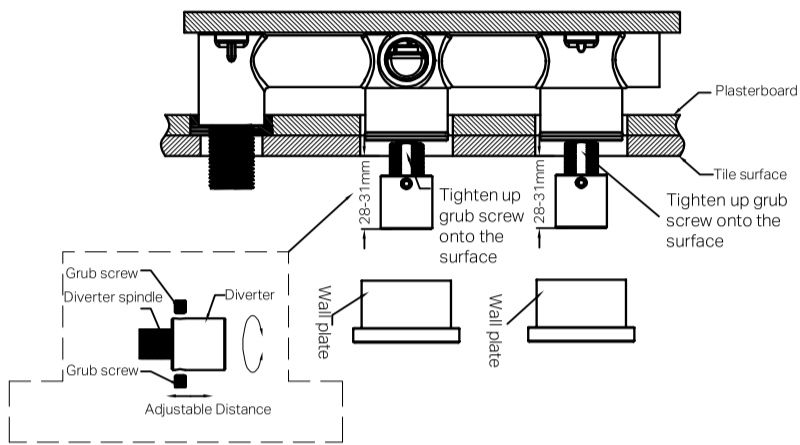
\*Dimensions are nominal measurements only.



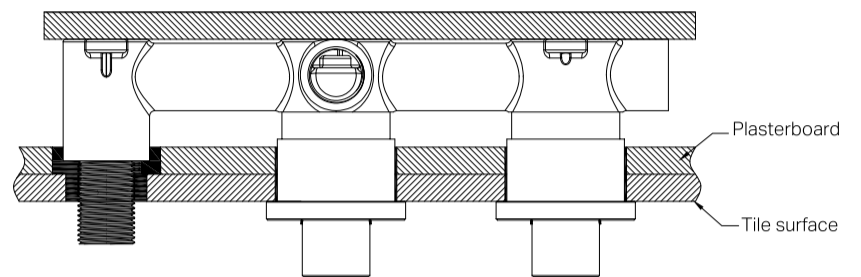
1. Install tiles and drill holes with diameters of Ø30, Ø45, Ø45.
2. Remove the pressure test plug.
3. Assemble the cutting gauge onto the mixer body, make it flush with the tile surface, and trim off any excess part after assembly.



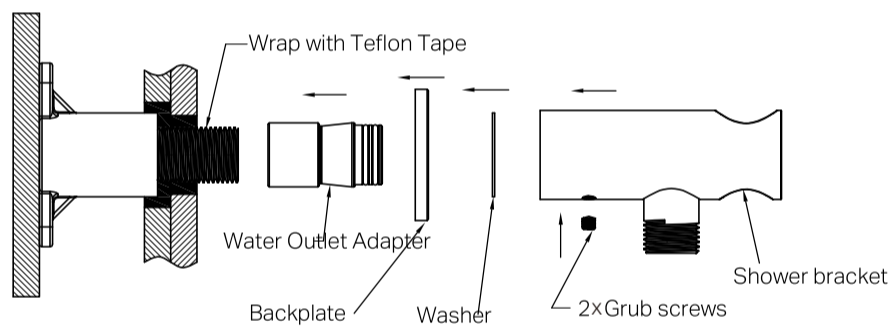
4. Remove the cutting gauge and protective sleeve.



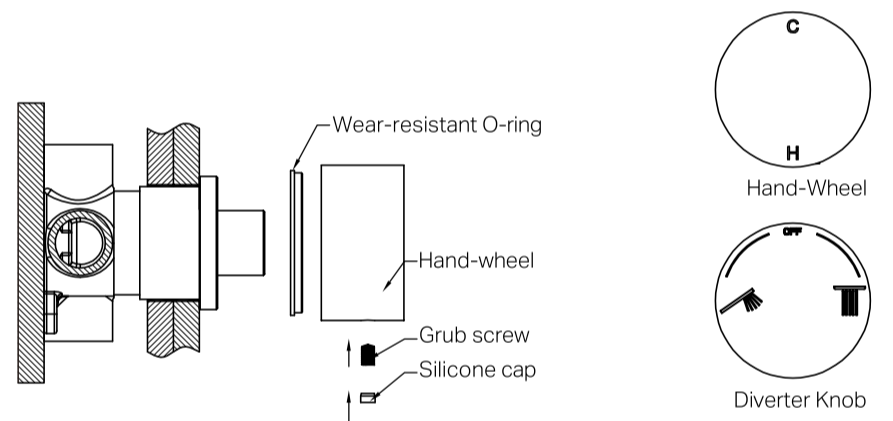
5. Adjust the distance between the Diverter knob and the tile surface to 28-31mm, as shown in the diagram.
6. Place the wall plate onto the mixer body.



7. Apply waterproofing in the gap between the ceramic tile and the water outlet.

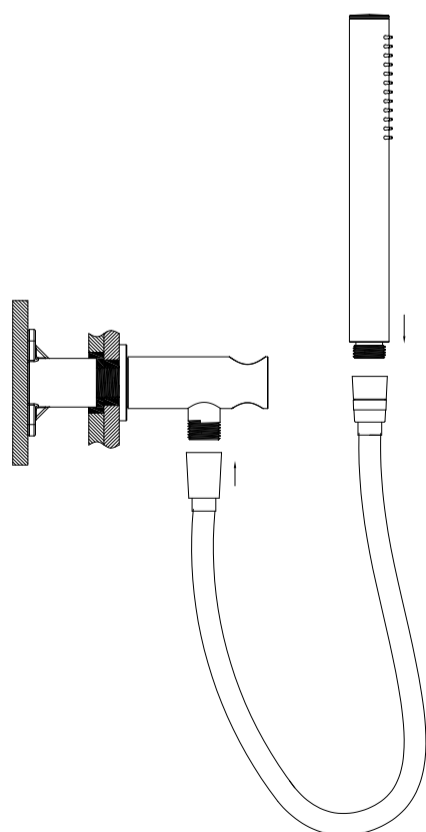


8. Thread the water outlet adapter onto the in-wall body, and seal with Teflon tape.
9. Assemble the Backplate, washer, and shower bracket onto the main body, then secure with screws.

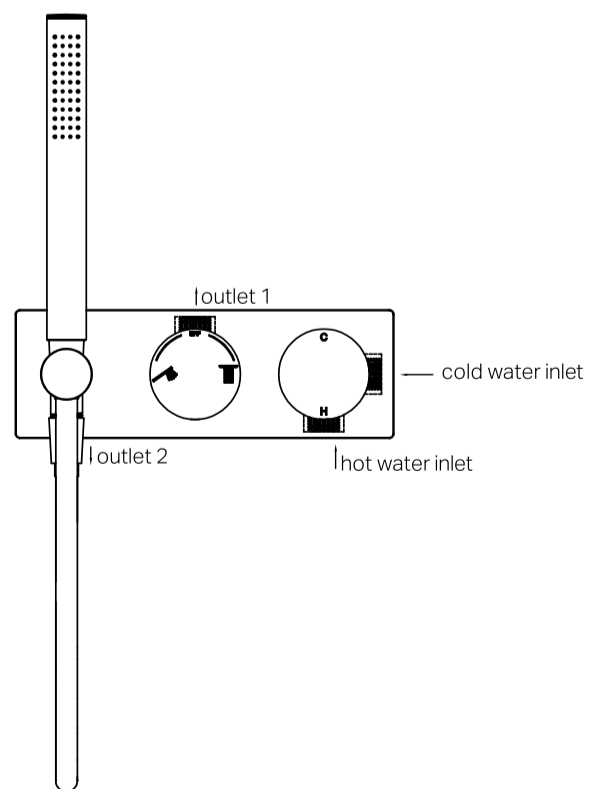


Follow step 10 to install the Hand-wheel and the Diverter Knob

10. Attach the wear-resistant O-ring, hand-wheel/ Diverter knob, grub screw, and silicone cap, securing them in place.



11. Attach the shower hose and hand shower, securing them in place.



12. Installation is now complete. Test for leaks.

# Nero

info@nerotapware.com.au  
nerotapware.com.au

11-13 Buontempo Road  
Carrum Downs Vic 3201

