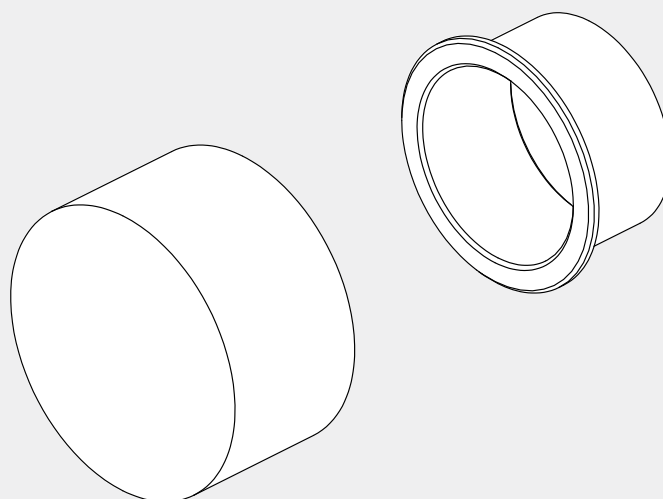


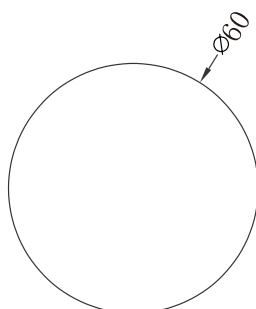
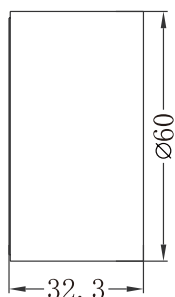
Kara Progressive Shower Mixer Trim Kits Only

Nero



Versions:202311

Top/Back



Specifications

SKU

NR271909t

Watermark License

WM-060073







Temperature Rating

Min 1°C-Max 75°C

Pressure Rating

Min 150kpa - Max 500kpa

Finish

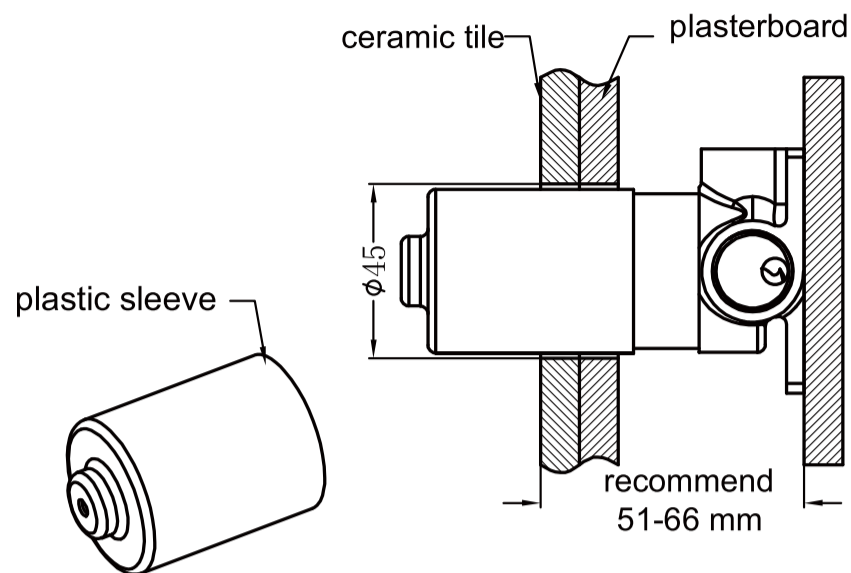
 Chrome NR271909tCH	 Gun Metal NR271909tGM	 Brushed Bronze NR271909tBZ
 Matte Black NR271909tMB	 Brushed Gold NR271909tBG	 Brushed Nickel NR271909tBN

Packaging Includes

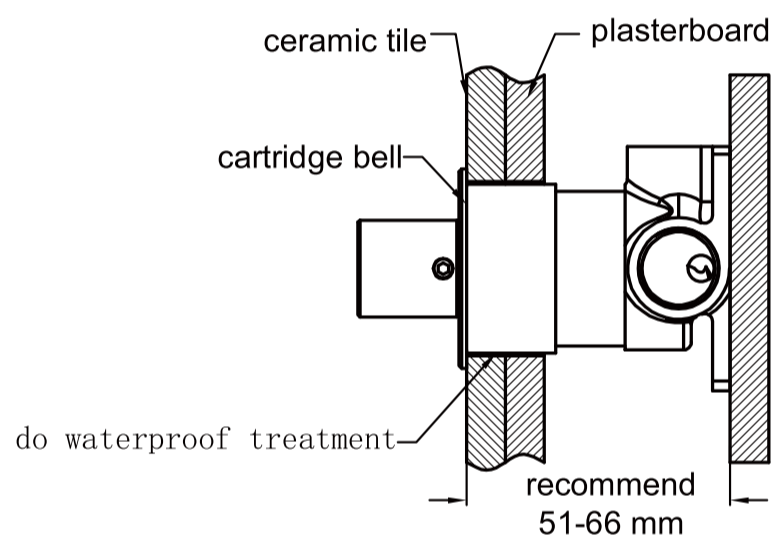
1x hand wheel
1x cartridge bell

*Dimensions are nominal measurements only.

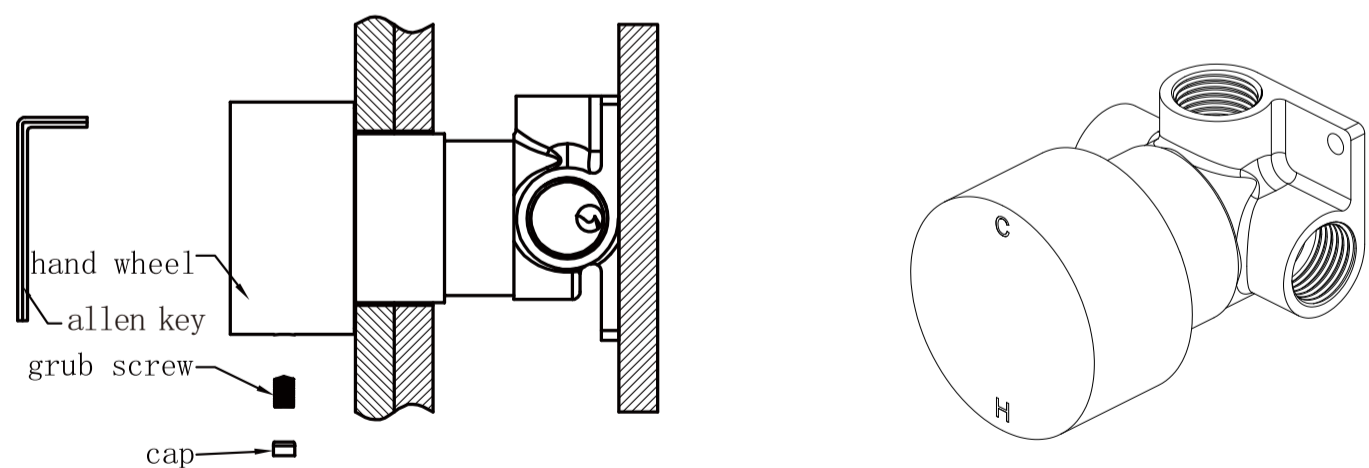
Installation Instruction For Trim Kits



1. Remove plastic sleeve.



2. Put cartridge bell onto body and do waterproof treatment for the gap between cartridge bell and plasterboard and ceramic tile.



3. Make hand wheel into connecting rod, turn the hand wheel counterclockwise to the end. Then reinstall the hand wheel, make the "C" should be on twelve o'clock direction and "H" on the six o'clock direction, according to above picture. Then tighten grub screw of hand wheel by allen key, put cap into hand wheel.

Nero

info@nerotapware.com.au
nerotapware.com.au

11-13 Buontempo Road
Carrum Downs Vic 3201

