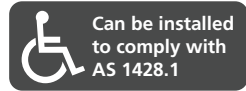


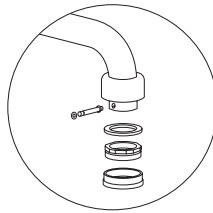
# Holdfast

HF817-RH

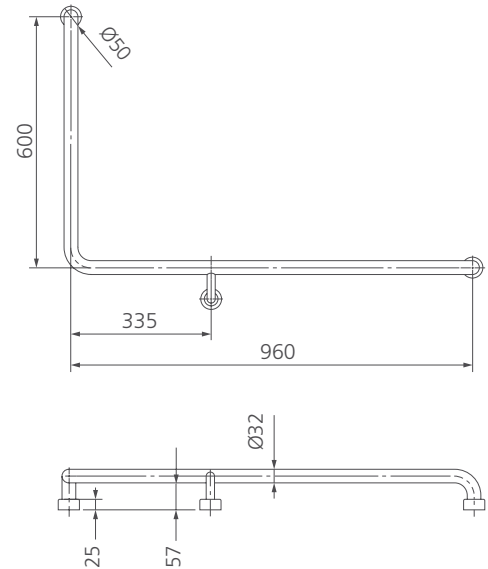
90 Degree Grab Rail (Right Hand)



All dimensions in mm



Concealed brass fixing mechanism



## Specifications /

<b>Rail size</b>	Diameter 32mm
<b>Application</b>	Domestic and commercial care
<b>Options</b>	Left hand version also available
<b>Fixing</b>	Brass base and connector with secure flange pin and cover to conceal wall fixings
<b>Installation</b>	Can be installed to comply with AS 1428.1 (load rating > 1100 N)
<b>Materials</b>	Satin stainless steel 304 (1.2mm thick railing tube)
<b>Weight</b>	2.1kg
<b>Parts list</b>	Grab rail, flange covers and fixings
<b>Commercial warranty</b>	15 years replacement parts and 1 year labour (refer to <a href="http://oliveri.com.au">oliveri.com.au</a> )
<b>Maintenance and care instructions</b>	All surfaces should be cleaned with mild liquid detergent or soap and water. Do not use cream cleaners or citrus based cleaning products, as they are abrasive. Use of unsuitable cleaning agents may damage the surface. Any damage caused in this way will not be covered by warranty.

