

Care Grab Rail Straight with Towel Rail 600mm Brushed Stainless Steel.

Product Code: 291501



Product Specifications.

Warranty	20-year warranty on all mechanical parts for the original purchaser in domestic installations. A 7-year warranty applies to commercial installations, irrespective of ownership.
Colour	Stainless Steel
Finish	Brushed
Material	304 grade 18/8 stainless steel
Rail Diameter	32mm
Rail Dimensions Ø to Ø	600mm Ø to Ø
Configuration	Straight
Height	78mm
Width	678mm
Depth	87mm
Mounting	Clam flange with concealed wall mount
Compliance	Manufactured to meet the requirements of AS1428.1: 2021

Rating 1100Nm

IMPORTANT NOTE

Product must be installed by a qualified trades person. It is the responsibility of the installer to ensure that the unit is installed to structures and with fixings suitable to withstand the forces and loads required.

Inclusions

Rail
Stainless steel fixing screws
Installation instructions

Maintenance & Care

Clean with mild detergent or clear liquid cleansers. Wipe dry with a clean soft cloth. Do not use steel wool or any abrasive cleansers. Avoid prolonged exposure to any chemical solution containing chlorides or acids. Surface damage caused by acids will void warranty

Height 78mm

Width 678mm

Depth 87mm

For more information call 1800 BATHROOM (1800 228 476) or visit raymor.com.au

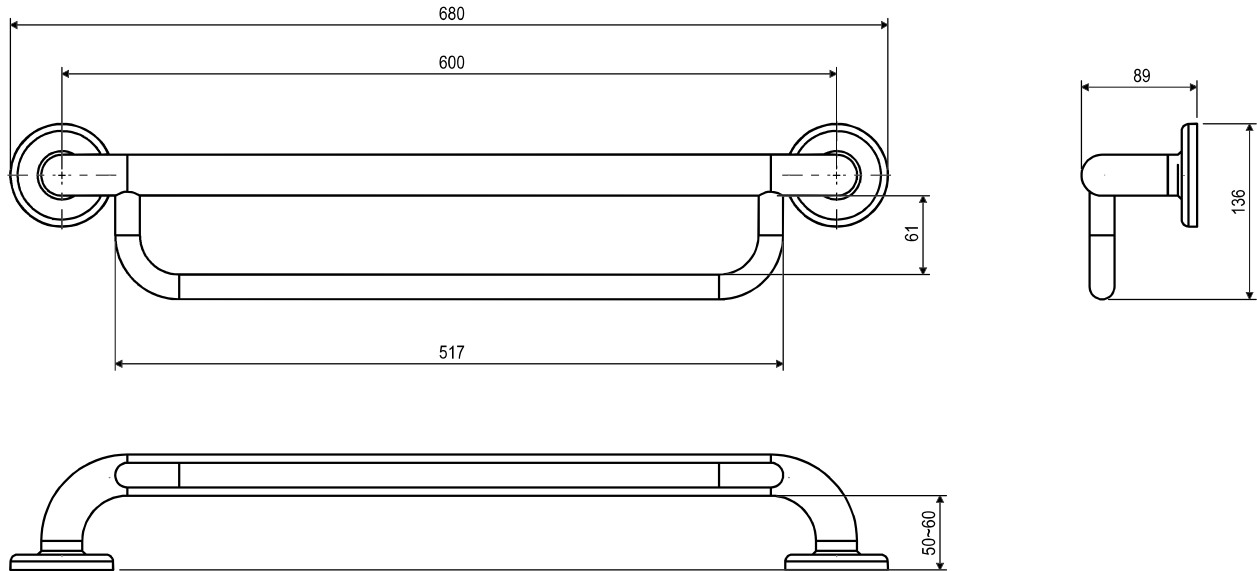
® Registered trademark of Tradelink. All dimensions are in millimetres. Dimensions are approximate and should be checked against the physical product before installation. Changes may be made to this specification without notice due to our commitment to continual improvement. See raymor.com.au for full warranty details.

All dimensions in mm.
Version 1

raymor

Care Grab Rail Straight with Towel Rail 600mm Brushed Stainless Steel.

Product Code: 291501



For more information call 1800 BATHROOM (1800 228 476) or visit raymor.com.au

© Registered trademark of Tradelink. All dimensions are in millimetres. Dimensions are approximate and should be checked against the physical product before installation. Changes may be made to this specification without notice due to our commitment to continual improvement. See raymor.com.au for full warranty details.

All dimensions in mm.
Version 1

raymor