

# Care Shower Set Inverted T Adjustable Polished Stainless Steel.

Product Code: 293026

## Product Specifications.

**WELS rating** WELS 3 Star 9.0L/min

**WELS Registration No.**

**Warranty** 20 years rail, wall elbow, shower arm, shower rail, PVC coated hose, showerhead, handpiece, slide bracket, diverter assembly, soap dish, and chrome plated finish  
5 years - PVD and electroplate finishes  
1 year - seals and labour

**Colour** Polished Stainless Steel and Chrome

**Material** 304 grade 18/8 stainless steel rail  
ABS hand shower  
PVC hose  
Brass cradle  
Brass elbow  
Brass hose bracket

**Shower Type** Rail Shower

**Installation Type** Wall mount

**Function** 3 function hand shower with push button operation

**Rail Length** 1080 x 700mm

**Rail Diameter** 32mm

**Hand Shower Diameter** 115mm

**Configuration** Inverted T, adjustable centre rail to LH, RH or centre



**Height** 1158mm

**Width** 778mm

**Depth** 87mm

**Compliance** Manufactured to meet the requirements of AS1428.1: 2021

**IMPORTANT** Product must be installed by a qualified trades person. It is the responsibility of the installer to ensure that the unit is installed to structures and with fixings suitable to withstand the forces and loads required.

**Inclusions** Rail  
Hand Shower with dual check valve  
Slider with assistance arm  
Wall elbow  
Hose retainer  
2m hose  
Stainless steel fixing screws  
Installation instructions

**Maintenance & Care** Clean with mild detergent or clear liquid cleansers. Wipe dry with a clean soft cloth. Do not use steel wool or any abrasive cleansers. Avoid prolonged exposure to any chemical solution containing chlorides or acids. Surface damage caused by acids will void warranty

For more information call 1800 BATHROOM (1800 228 476) or visit [raymor.com.au](http://raymor.com.au)

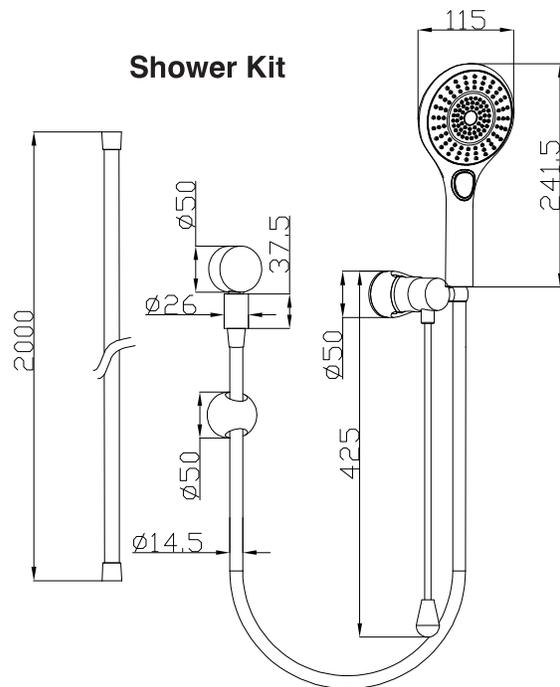
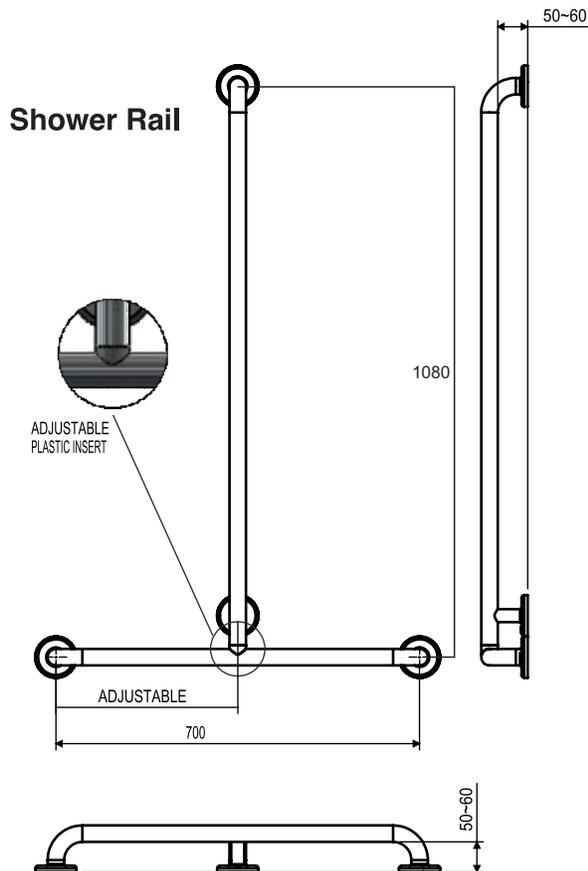
® Registered trademark of Tradelink. All dimensions are in millimetres. Dimensions are approximate and should be checked against the physical product before installation. Changes may be made to this specification without notice due to our commitment to continual improvement. See [raymor.com.au](http://raymor.com.au) for full warranty details.

All dimensions in mm.  
Version 1

**raymor**

# Care Shower Set Inverted T Adjustable Polished Stainless Steel.

Product Code: 293026



For more information call 1800 BATHROOM (1800 228 476) or visit [raymor.com.au](http://raymor.com.au)

© Registered trademark of Tradelink. All dimensions are in millimetres. Dimensions are approximate and should be checked against the physical product before installation. Changes may be made to this specification without notice due to our commitment to continual improvement. See [raymor.com.au](http://raymor.com.au) for full warranty details. All dimensions in mm.

Version 1

**raymor**