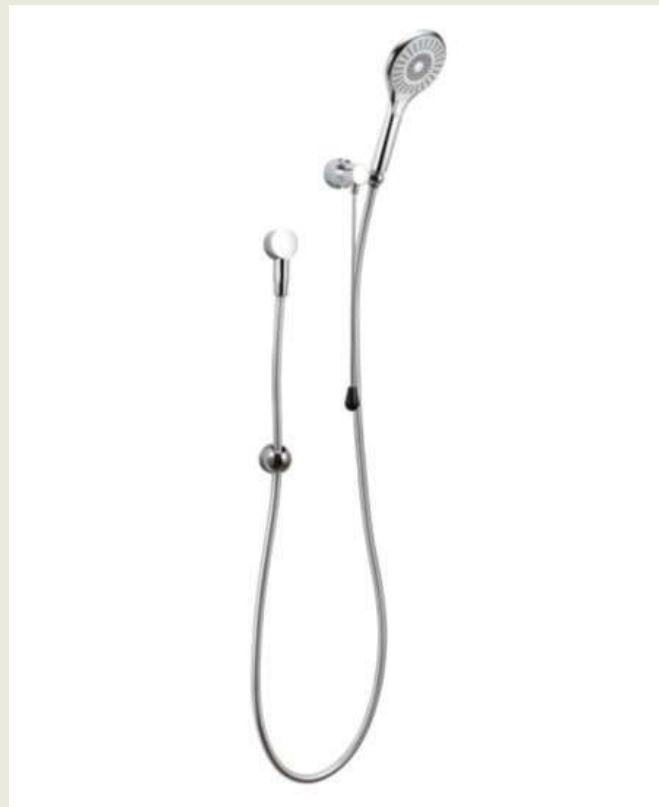


# Care Hand Shower Kit 3 Function Chrome.

Product Code: 291492



## Product Specifications.

<b>WELS rating</b>	WELS 3 Star 9.0L/min	<b>Hose Length</b>	2 metres
<b>WELS Registration No.</b>		<b>Compliance</b>	Manufactured to meet the requirements of AS1428.1: 2021
<b>Warranty</b>	20 years rail, wall elbow, shower arm, shower rail, PVC coated hose, showerhead, handpiece, slide bracket, diverter assembly, soap dish, and chrome plated finish 5 years - PVD and electroplate finishes 1 year - seals and labour	<b>Inclusions</b>	Hand Shower with dual check valve Slider with assistance arm Wall elbow Hose retainer 2m hose Installation instructions
<b>Colour</b>	Chrome		
<b>Material</b>	ABS hand shower PVC hose Brass cradle Brass elbow Brass hose bracket		
<b>Shower Type</b>	Suitable for 32mm rail shower		
<b>Function</b>	3 function hand shower with push button operation		
<b>Hand Shower Diameter</b>	115mm		

For more information call 1800 BATHROOM (1800 228 476) or visit [raymor.com.au](http://raymor.com.au)

® Registered trademark of Tradelink. All dimensions are in millimetres. Dimensions are approximate and should be checked against the physical product before installation. Changes may be made to this specification without notice due to our commitment to continual improvement. See [raymor.com.au](http://raymor.com.au) for full warranty details.

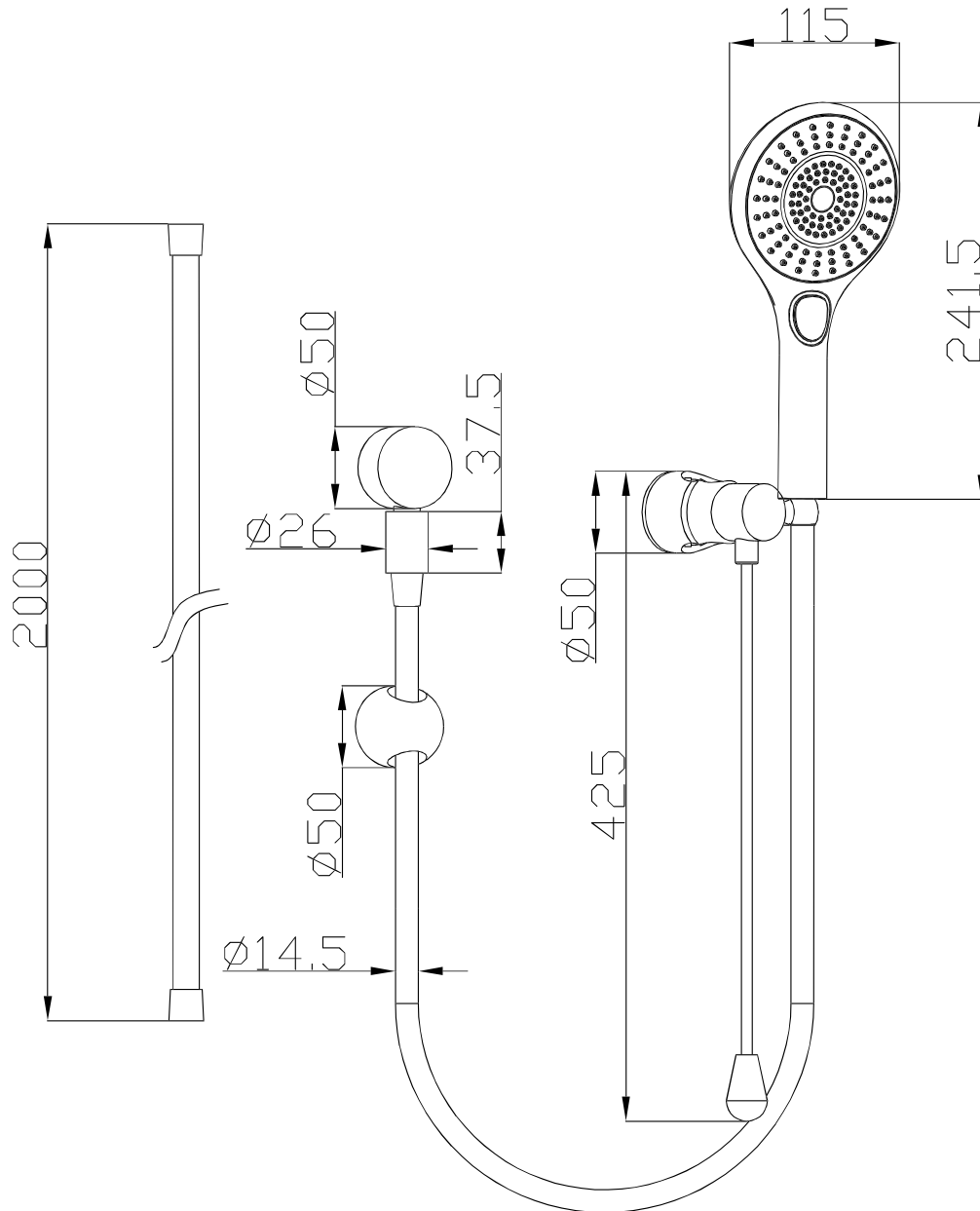
All dimensions in mm.

Version 1

**raymor**

# Care Hand Shower Kit 3 Function Chrome.

Product Code: 291492



For more information call 1800 BATHROOM (1800 228 476) or visit [raymor.com.au](http://raymor.com.au)

® Registered trademark of Tradelink. All dimensions are in millimetres. Dimensions are approximate and should be checked against the physical product before installation. Changes may be made to this specification without notice due to our commitment to continual improvement. See [raymor.com.au](http://raymor.com.au) for full warranty details.

All dimensions in mm.

Version 1

**raymor**