

# Care Folding Shower Seat 960 x 400mm Polished Stainless Steel.

Product Code: 291512



## Product Specifications.

**Warranty** 20-year warranty on all mechanical parts for the original purchaser in domestic installations. A 7-year warranty applies to commercial installations, irrespective of ownership.

**Colour** Stainless Steel

**Finish** Polished

**Material** 304 grade 18/8 stainless steel frame with HDPE seat deck

**Width** 962mm

**Depth** 400mm

**Height** 480mm

**Mounting** Wall mount with folding support legs

**Rating** Maximum load 250kg

**Compliance** Manufactured to meet the requirements of AS1428.1: 2021

**IMPORTANT** Product must be installed by a qualified trades person. It is the responsibility of the installer to ensure that the unit is installed to structures and with fixings suitable to withstand the forces and loads required.

**Inclusions**  
Seat  
Stainless steel fixing screws  
Installation instructions

**Maintenance & Care**  
Clean with mild detergent or clear liquid cleansers. Wipe dry with a clean soft cloth. Do not use steel wool or any abrasive cleansers. Avoid prolonged exposure to any chemical solution containing chlorides or acids. Surface damage caused by acids will void warranty

For more information call 1800 BATHROOM (1800 228 476) or visit [raymor.com.au](http://raymor.com.au)

® Registered trademark of Tradelink. All dimensions are in millimetres. Dimensions are approximate and should be checked against the physical product before installation. Changes may be made to this specification without notice due to our commitment to continual improvement. See [raymor.com.au](http://raymor.com.au) for full warranty details.

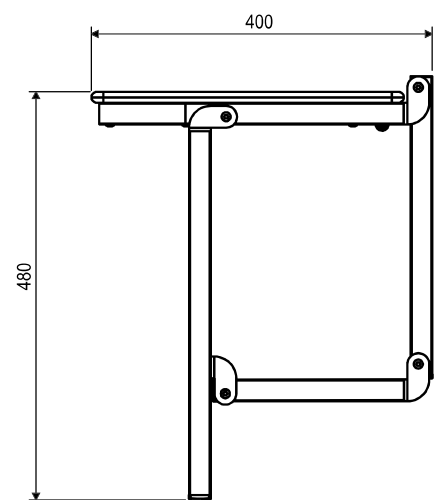
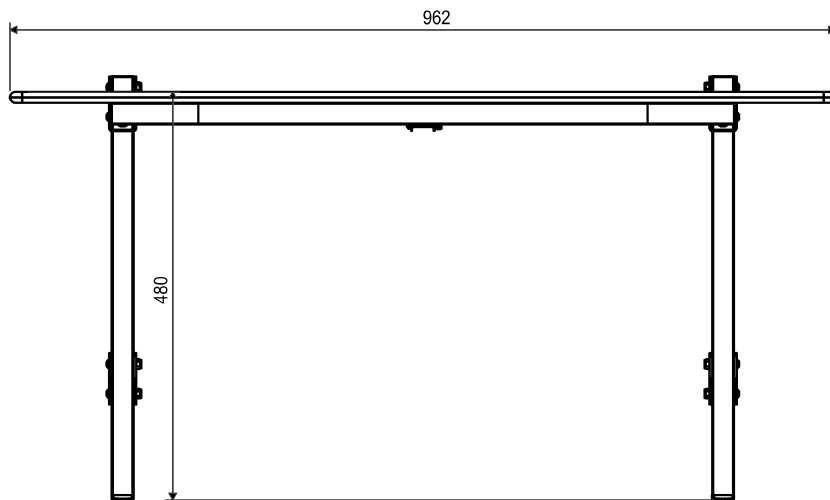
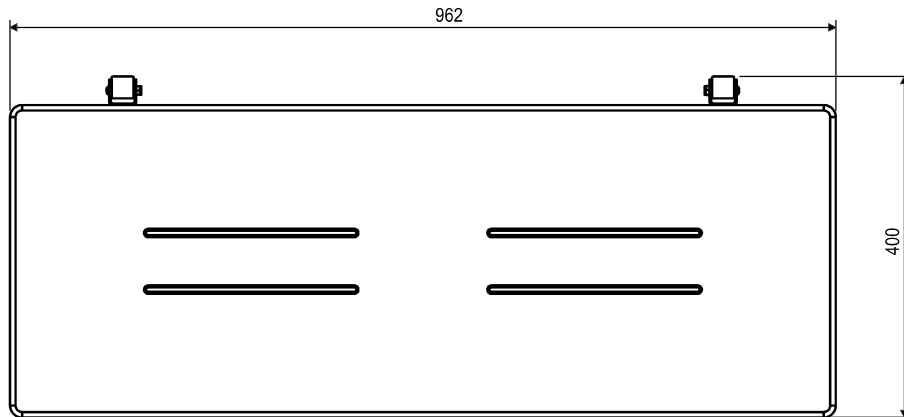
All dimensions in mm.

Version 1

**raymor**

# Care Folding Shower Seat 960 x 400mm Polished Stainless Steel.

Product Code: 291512



For more information call 1800 BATHROOM (1800 228 476) or visit [raymor.com.au](http://raymor.com.au)

© Registered trademark of Tradelink. All dimensions are in millimetres. Dimensions are approximate and should be checked against the physical product before installation. Changes may be made to this specification without notice due to our commitment to continual improvement. See [raymor.com.au](http://raymor.com.au) for full warranty details.

All dimensions in mm.  
Version 1

**raymor**