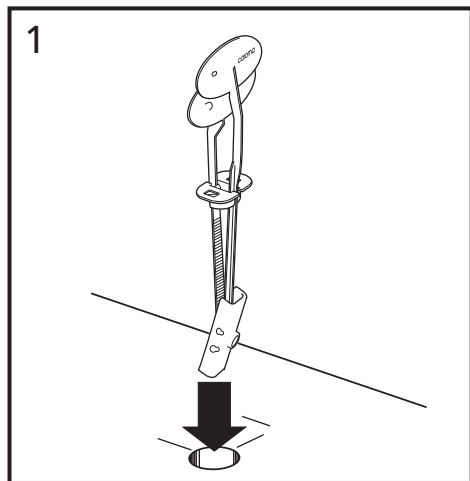
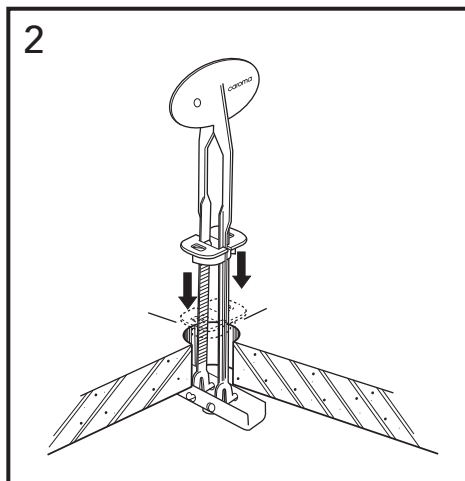


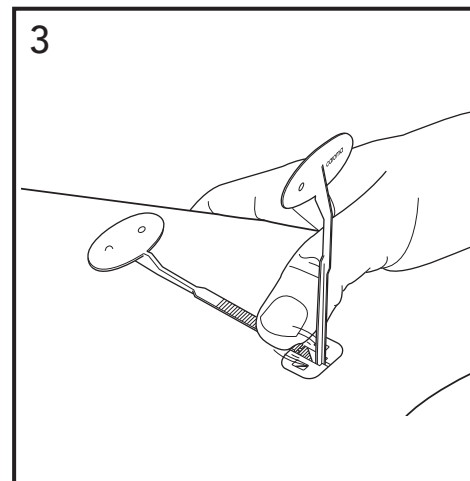
### Contura II Soft Close Toilet Seat



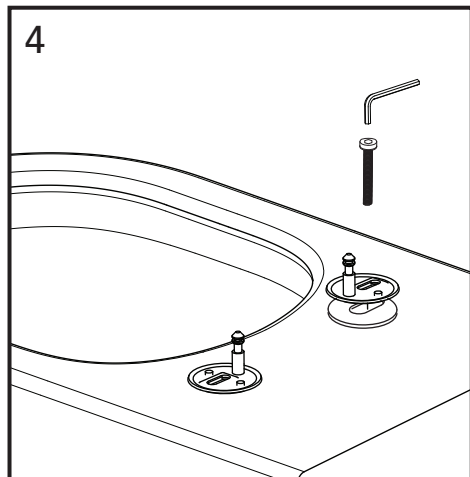
1 Push metal toggle through pan hole.



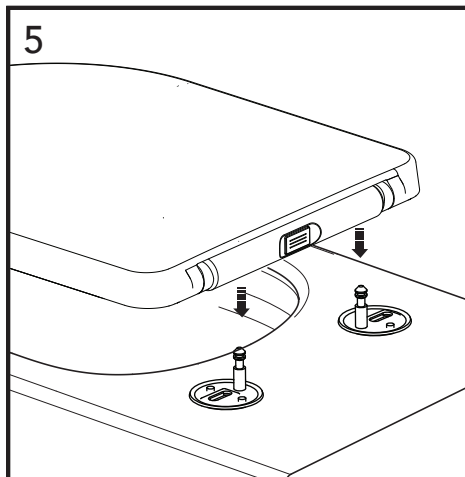
2 Realign handles and pull upwards while pushing locking bush down into pan hole.



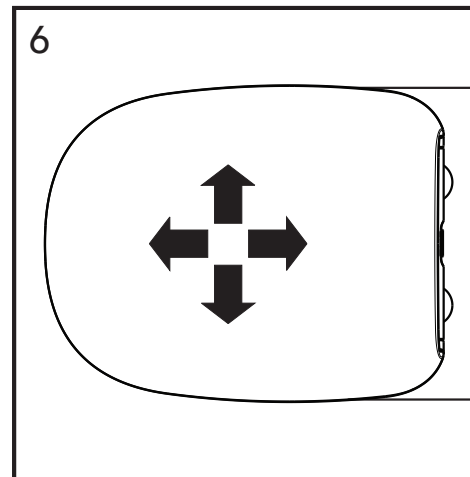
3 Break off handles flush with locking bush. Trim excess with a pair of side cutters if required.



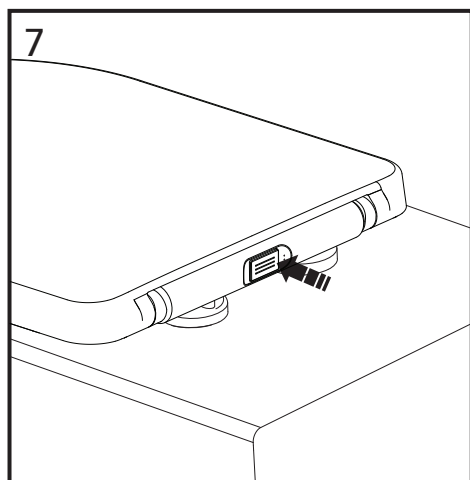
4 Fit the rubber pads to the underside of the two (2) hinge mounting posts and loosely fasten to the pan.



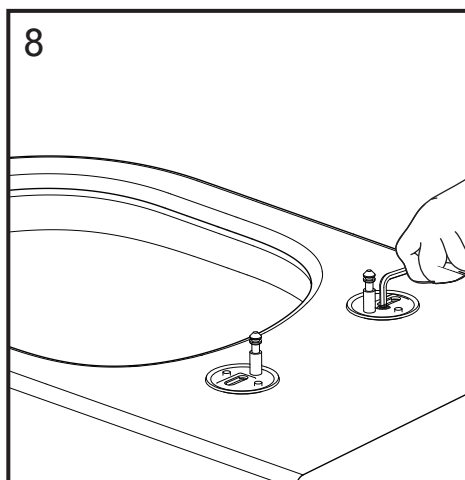
5 Align the hinge posts with the corresponding holes in the seat assembly and push down until it clicks.



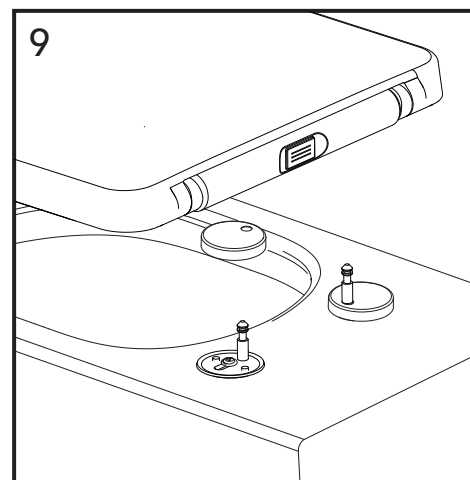
6 Adjust seat to desired position on pan.



7 Push the button at the rear of the seat to release and remove the seat taking care not to move the hinge posts.



8 Fully tighten the bolts using the hex key provided.



9 Slide the hinge covers over the hinge posts and fit the seat.

**IMPORTANT:** Never use abrasive or harsh chemical cleaners. Wipe seat with warm soapy water to maintain surface finish.