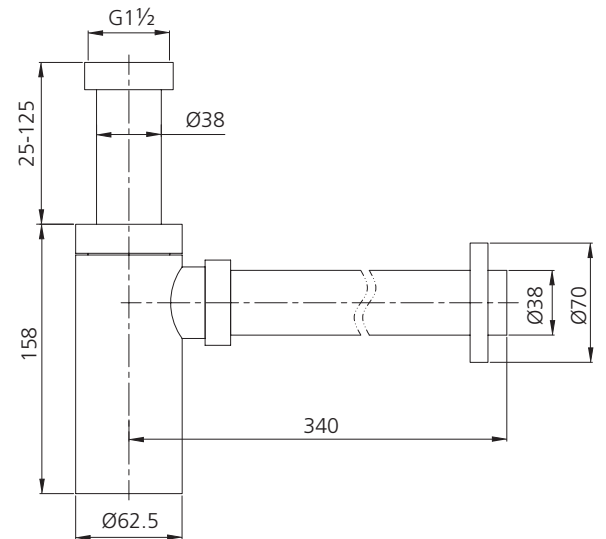
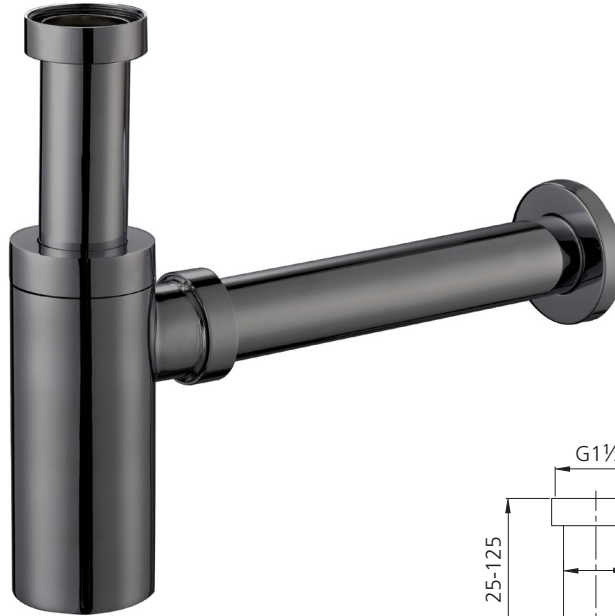


Wastes & Traps

ACC186-W-GM

Gunmetal Bottle Trap

All dimensions in mm



Specifications /

Materials	Solid brass body
Finish	Gunmetal (PVD)
Parts list	Body, locking nut, outlet pipe, wall flange, gaskets
Warranty	1 year parts and labour (see Oliveri website for full details)
Maintenance and care instructions	All surfaces should be cleaned with mild liquid detergent or soap and water. Do not use cream cleaners or citrus based cleaning products, as they are abrasive. Use of unsuitable cleaning agents may damage the surface. Any damage caused in this way will not be covered by warranty.