

Aruba Inset Bath 1520mm.

Product Code: 051364



Product Specifications.

Installation type	Inset	Material	Sanitary grade acrylic
Warranty	15 years - Inset and Island pressed acrylic baths, base support frame and feet 10 years - Freestanding, Back to Wall acrylic baths 1 year - parts and labour	Colour	White
Width	1520mm	Finish	Gloss
Height	420mm	Waste Position	End waste
Depth	755mm	Plug & Waste	Not included
Construction	4 edge tile bead Moulded headrest Steel reinforced rim	Overflow Included	No
		Variants	Overflow variant 191831
		Maintenance & Care	Clean using a soft sponge or cloth with warm soapy water or detergent. Never use abrasive brushes or scourer pads to clean products. Rinse with water immediately after using any cleaning solution

For more information call 1800 BATHROOM (1800 228 476) or visit raymor.com.au

© Registered trademark of Tradelink. All dimensions are in millimetres. Dimensions are approximate and should be checked against the physical product before installation. Changes may be made to this specification without notice due to our commitment to continual improvement. See raymor.com.au for full warranty details.

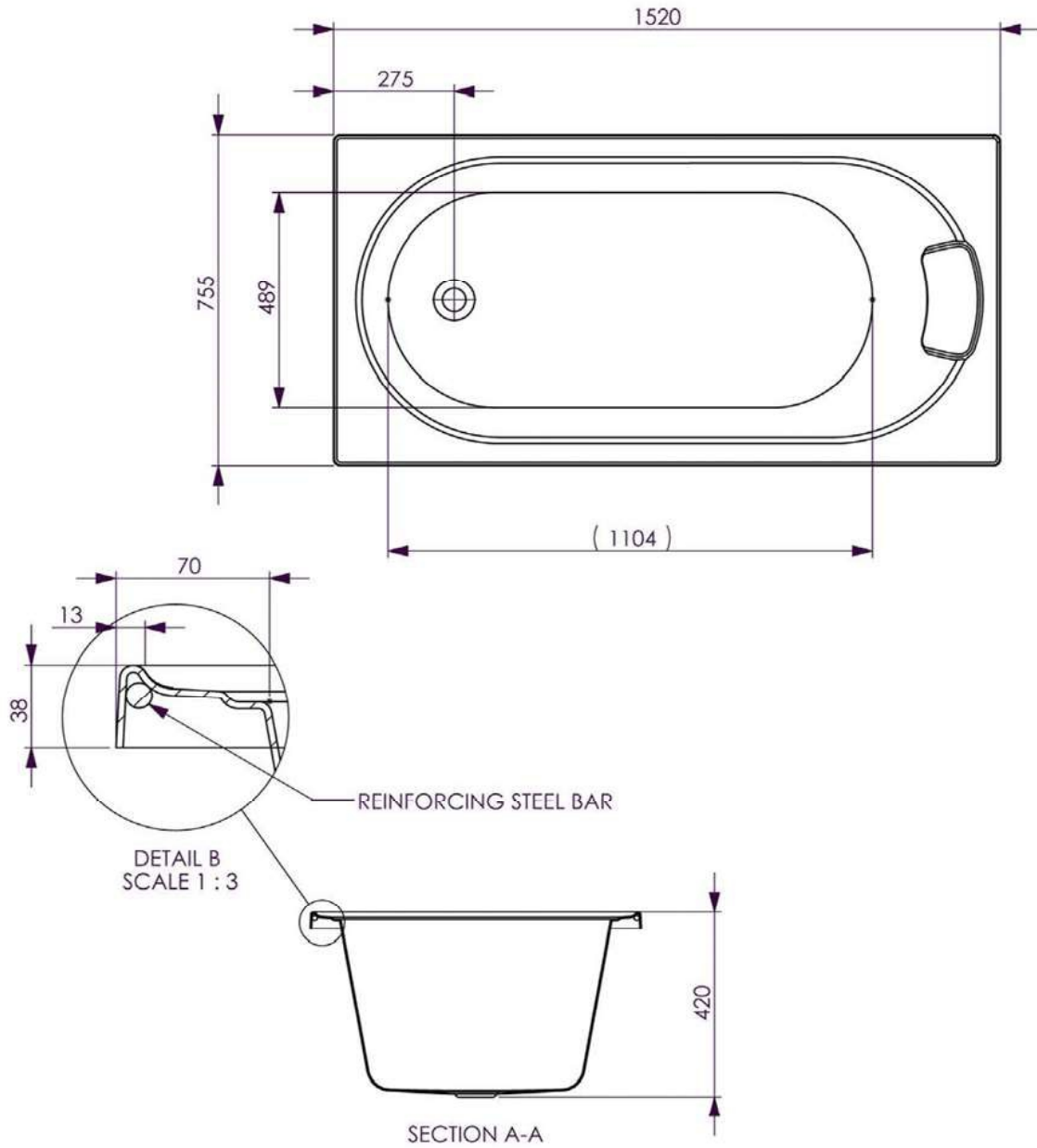
All dimensions in mm.

Version 1

raymor

Aruba Inset Bath 1520mm.

Product Code: 051364



For more information call 1800 BATHROOM (1800 228 476) or visit raymor.com.au

© Registered trademark of Tradelink. All dimensions are in millimetres. Dimensions are approximate and should be checked against the physical product before installation. Changes may be made to this specification without notice due to our commitment to continual improvement. See raymor.com.au for full warranty details.

All dimensions in mm.

Version 1

raymor