

# Aruba Inset Bath 1665mm.

Product Code: 051365



## Product Specifications.

<b>Installation type</b>	Inset	<b>Material</b>	Sanitary grade acrylic
<b>Warranty</b>	15 years - Inset and Island pressed acrylic baths, base support frame and feet 10 years - Freestanding, Back to Wall acrylic baths 1 year - parts and labour	<b>Colour</b>	White
<b>Width</b>	1665mm	<b>Finish</b>	Gloss
<b>Height</b>	420mm	<b>Waste Position</b>	End waste
<b>Depth</b>	755mm	<b>Plug &amp; Waste</b>	Not included
<b>Construction</b>	4 edge tile bead Moulded headrest Steel reinforced rim	<b>Overflow Included</b>	No
		<b>Variants</b>	Overflow variant 191832
		<b>Maintenance &amp; Care</b>	Clean using a soft sponge or cloth with warm soapy water or detergent. Never use abrasive brushes or scourer pads to clean products. Rinse with water immediately after using any cleaning solution

For more information call 1800 BATHROOM (1800 228 476) or visit [raymor.com.au](http://raymor.com.au)

© Registered trademark of Tradelink. All dimensions are in millimetres. Dimensions are approximate and should be checked against the physical product before installation. Changes may be made to this specification without notice due to our commitment to continual improvement. See [raymor.com.au](http://raymor.com.au) for full warranty details.

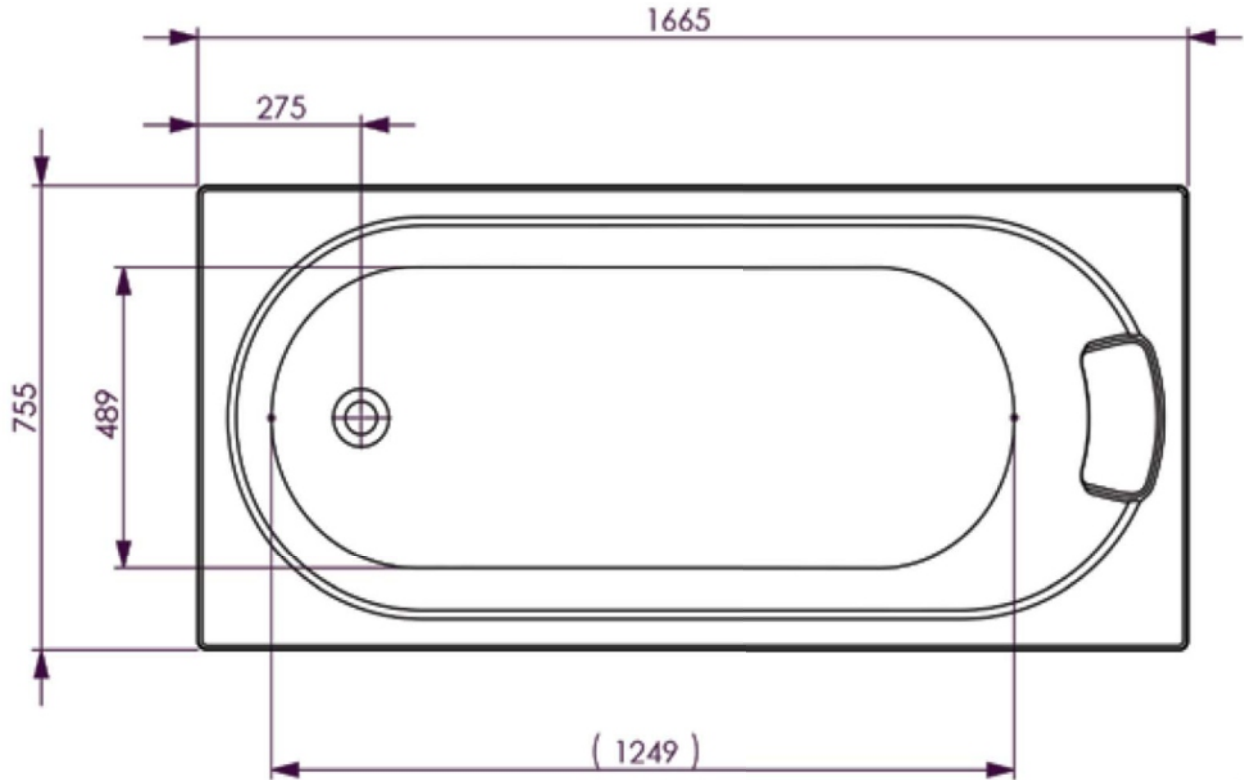
All dimensions in mm.

Version 1

**raymor**

# Aruba Inset Bath 1665mm.

Product Code: 051365



For more information call 1800 BATHROOM (1800 228 476) or visit [raymor.com.au](http://raymor.com.au)

© Registered trademark of Tradelink. All dimensions are in millimetres. Dimensions are approximate and should be checked against the physical product before installation. Changes may be made to this specification without notice due to our commitment to continual improvement. See [raymor.com.au](http://raymor.com.au) for full warranty details.

All dimensions in mm.

Version 1

**raymor**