

Alpha Back to Wall Bath 1500mm.

Product Code: 153149



Product Specifications.

Installation type	Back To Wall	Material	Sanitary grade acrylic
Warranty	15 years - Inset and Island pressed acrylic baths, base support frame and feet 10 years - Freestanding, Back to Wall acrylic baths 1 year - parts and labour	Colour	White
Width	1500mm	Finish	Gloss
Height	610mm	Waste Position	Centre waste
Depth	800mm	Plug & Waste	Not included
Construction	Rear tile bead Moulded acrylic Adjustable self supporting feet	Overflow Included	No
		Variants	Overflow variant 191829
		Maintenance & Care	Clean using a soft sponge or cloth with warm soapy water or detergent. Never use abrasive brushes or scourer pads to clean products. Rinse with water immediately after using any cleaning solution

For more information call 1800 BATHROOM (1800 228 476) or visit raymor.com.au

© Registered trademark of Tradelink. All dimensions are in millimetres. Dimensions are approximate and should be checked against the physical product before installation. Changes may be made to this specification without notice due to our commitment to continual improvement. See raymor.com.au for full warranty details.

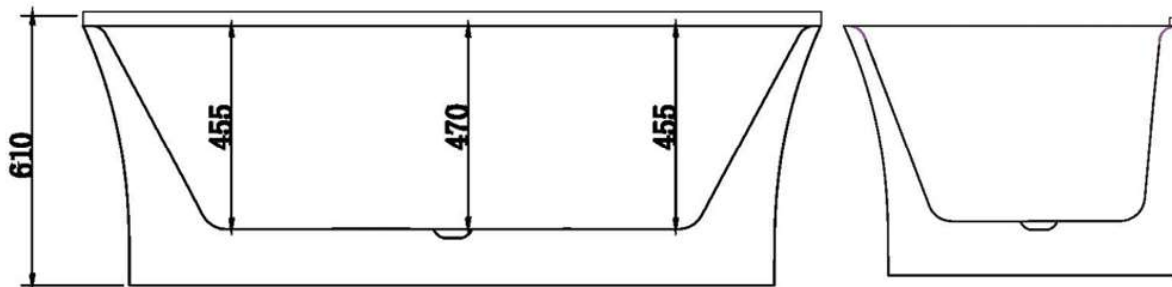
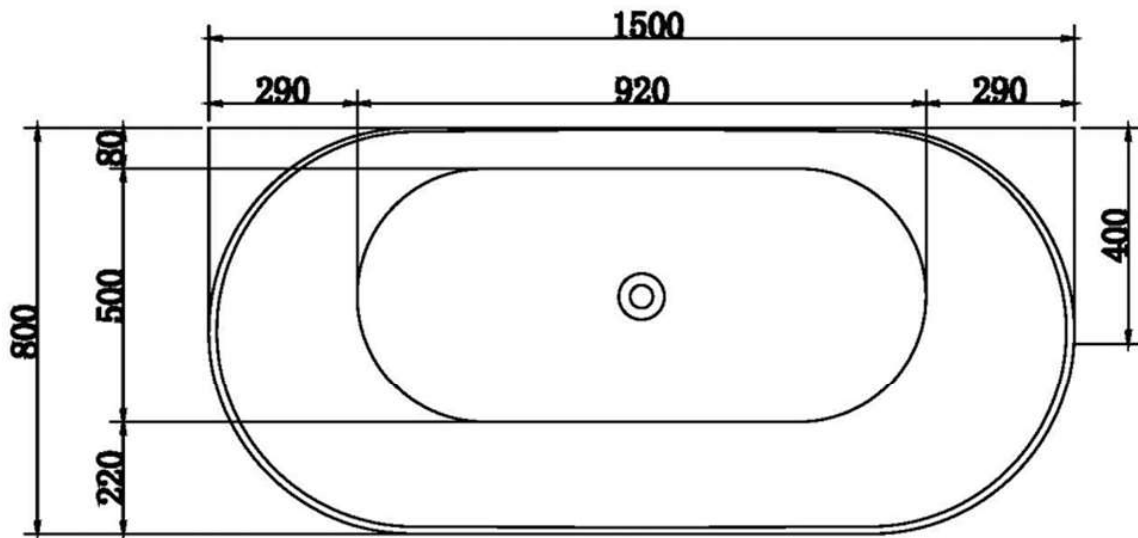
All dimensions in mm.

Version 1

raymor

Alpha Back to Wall Bath 1500mm.

Product Code: 153149



For more information call 1800 BATHROOM (1800 228 476) or visit raymor.com.au

© Registered trademark of Tradelink. All dimensions are in millimetres. Dimensions are approximate and should be checked against the physical product before installation. Changes may be made to this specification without notice due to our commitment to continual improvement. See raymor.com.au for full warranty details.
All dimensions in mm.

Version 1

raymor