

Sigma Inset Bath 1675.

Product Code: 182538



Product Specifications.

Installation type	Inset	Material	Sanitary grade acrylic
Warranty	15 years - Inset and Island pressed acrylic baths, base support frame and feet 10 years - Freestanding, Back to Wall acrylic baths 1 year parts and labour	Colour	White
Width	1675mm	Finish	Gloss
Height	450mm	Waste Position	End waste
Depth	760mm	Plug & Waste	Not included
Construction	4 edge tile bead Steel reinforced rim	Overflow Included	No
		Variants	Overflow variant 182750
		Maintenance & Care	Clean using a soft sponge or cloth with warm soapy water or detergent. Never use abrasive brushes or scourer pads to clean products. Rinse with water immediately after using any cleaning solution

For more information call 1800 BATHROOM (1800 228 476) or visit raymor.com.au

© Registered trademark of Tradelink. All dimensions are in millimetres. Dimensions are approximate and should be checked against the physical product before installation. Changes may be made to this specification without notice due to our commitment to continual improvement. See raymor.com.au for full warranty details.

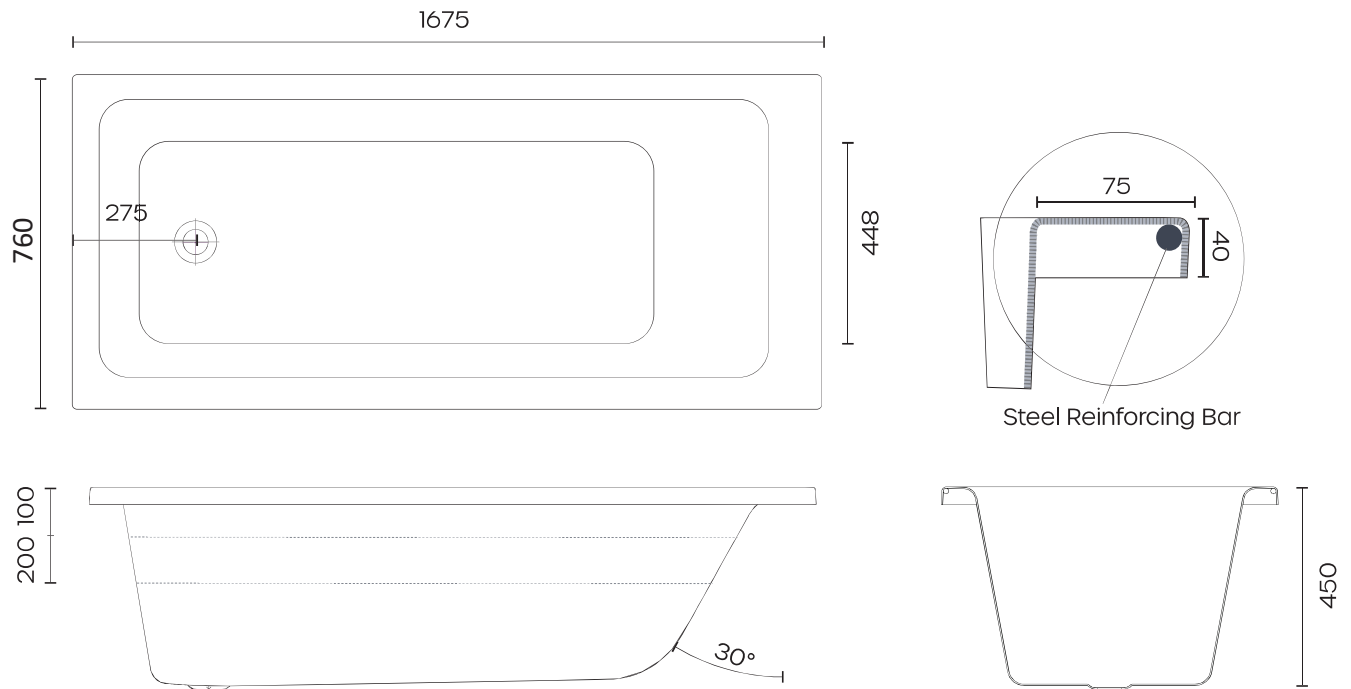
All dimensions in mm.

Version 1

raymor

Sigma Inset Bath 1675.

Product Code: 182538



For more information call 1800 BATHROOM (1800 228 476) or visit raymor.com.au

® Registered trademark of Tradelink. All dimensions are in millimetres. Dimensions are approximate and should be checked against the physical product before installation. Changes may be made to this specification without notice due to our commitment to continual improvement. See raymor.com.au for full warranty details.

All dimensions in mm.

Version 1

raymor