

# Urbane II Compact Cleanflush™ Easy Height Wall Faced Back Inlet Pan

## PLUMBERS' INSTALLATION INSTRUCTIONS

PLEASE READ CAREFULLY BEFORE INSTALLATION

### ROUGHING IN:

It is essential for installation of the pan that the connector is accurately fixed into position, as detailed in Fig. 1.

### PAN FIXING PROCEDURE

#### Pan bedding:

- 1- Remove an area of tiles which are within the internal area covered by the foot of the pan to expose the sub floor and provide a bondage key for the bedding mixture.
- 2- Ensure that the bedding area is clean and free of building material.
- 3- Locate blanking cap into pan fixing holes as detailed in Fig. 5.
- 4- Prepare bedding sand cement mixture 3:1 to depth of 60mm as detailed in Fig. 1. Note: Do not fill the foot of the pan with bedding mix or include lime or fast drying cement into the mix, these may cause cracking in the foot of the pan.
- 5- Fit keeseal onto inlet pipe, as detailed in Fig. 4.
- 6- Smear pan collar and inlet keeseal with soap solution for push on installation of pan.
- 7- Position and push pan into connector ensuring that the flush pipe and keeseal engage into the pan inlet. Level pan into bedding mixture, so that the back of the foot of the pan is approximately 10mm above the finished floor as detailed in Fig. 2. It is recommended that wedges are used to support the foot of the pan during the positioning. **Note:** Allow at least 24 hours for the bedding sealant to set before use.
- 8- For optimum installation, it is recommended that the joint between the pan and the finished wall be caulked with acetic cured silicone sealant.
- 9- Fit toilet seat.

#### Screw fixing:

- 1- Position and push pan into connector. Adjust pan position if necessary. Mark location of pan fixing holes on the floor. Remove the pan.
- 2- Locate the D82 Concealed Fixing brackets (supplied) into position on centre line of pan 160mm from the finished wall and mark bracket fixing hole centres on finished floor.
- 3- Drill two holes in the marked positions on the floor. The hole diameter is dependent on the type of fixing system and floor finish
- 4- Secure Brackets to finished floor.
- 5- Ensure that the area around the floor is clean and free from building material.
- 6- Run a bead of acetic cured silicone sealant at a height of 8mm approximately fully around the foot of the pan which contacts the floor. Use Wedges around the foot base (if required) so that the **maximum height of silicone sealant is not greater than 5mm on completion on bedding.**
- 7- Fit keeseal onto inlet pipe, as detailed in Fig. 4.
- 8- Smear pan collar and inlet keeseal with soap solution for push on installation of pan.
- 9- Position and push pan into connector ensuring that the flush pipe and keeseal engage into the pan inlet. Locate plastic fixing sleeve into holes in the pan. Fit screw into the bracket and tighten to bed pan to floor while ensuring level, as detailed in Fig. 3. **IMPORTANT-DO NOT OVER TIGHTEN, AS THIS MAY CRACK THE PAN FOOT.** Snap on plastic cap, as detailed in Fig. 6.
- 10- Provide support under the pan foot so that it is maintained in the levelled position while the silicone sealant sets. Remove any excess sealant to provide a neat joint between the pan and the floor. Allow at least 24 hours for the bedding sealant to set before use
- 11- For optimum installation, it is recommended that the joint between the pan and the finished wall be caulked with acetic cured silicone sealant.
- 12- Fit toilet seat.

### 'P' trap installation

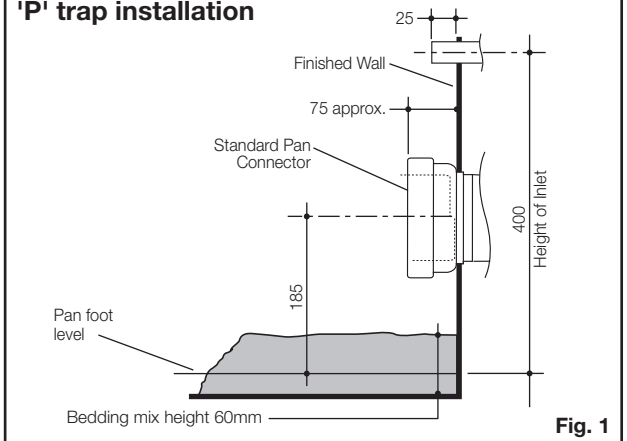


Fig. 1

IMPORTANT: ALL DIMENSIONS ARE TO THE UNDERSIDE FOOT LEVEL OF THE PAN/CLOSET. IT IS IMPORTANT TO MAKE A HEIGHT ALLOWANCE FOR BEDDING.

### Bedding Installation

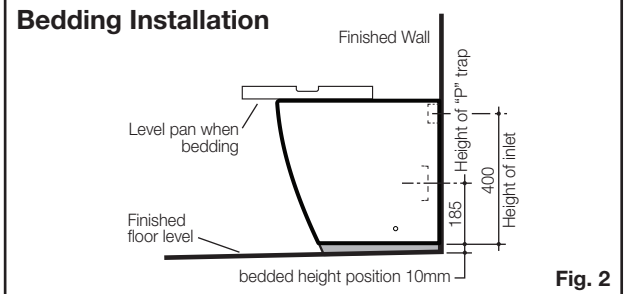


Fig. 2

### Screw Fixing Installation

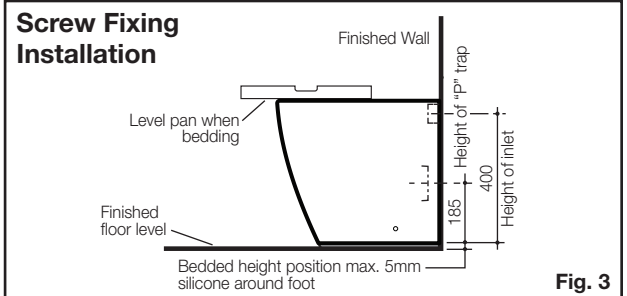


Fig. 3

### Inlet Detail

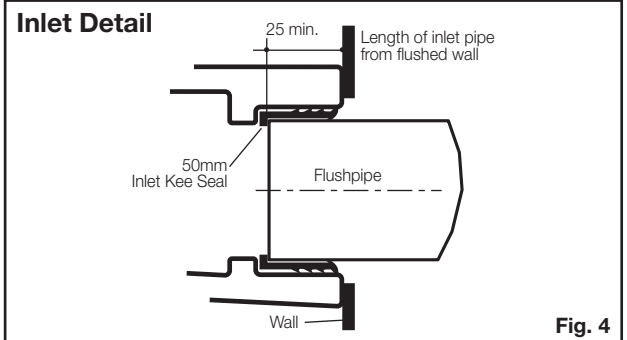


Fig. 4

### Fixing Hole Cover Detail for Bedding Installations

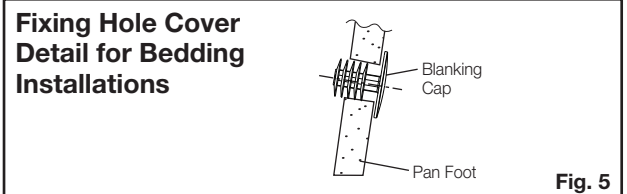


Fig. 5

### D82 Concealed Fixing Brackets

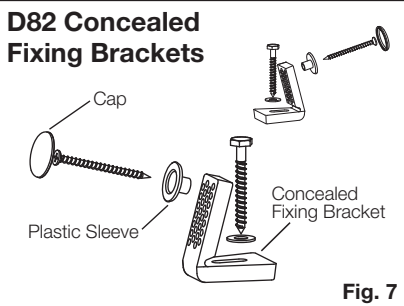


Fig. 7

### Invisi II Waste Connector (Optional)

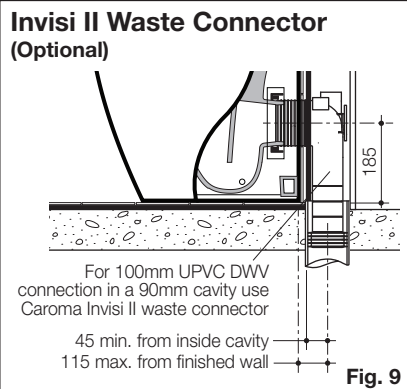


Fig. 9

For 100mm UPVC DWV connection in a 90mm cavity use Caroma Invisi II waste connector

45 min. from inside cavity  
115 max. from finished wall



### IMPORTANT

TO ACHIEVE A SATISFACTORY 4.5/3L FLUSH PERFORMANCE AND A 4 STAR WATER EFFICIENCY RATING THE CISTERN MUST BE MATCHED WITH A COMPATIBLE CAROMA SMARTFLUSH 4.5/3L TOILET PAN.

All measurements are subject to accepted manufacturing tolerances.  
To ensure complete accuracy please check actual product dimensions before drilling for installation.  
The manufacturer reserves the right to change specifications at any time without giving prior notification.  
This product should be installed by a qualified plumber. Local authority, Water Utility, and Building Regulations may apply to the installation of this product, and you should consult the appropriate bodies on these requirements.

Installation must be in accordance with AS/NZS 3500.1 and AS/NZS 3500.2

### Bracket Fixing Detail

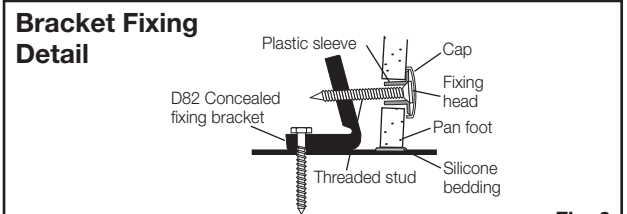


Fig. 6