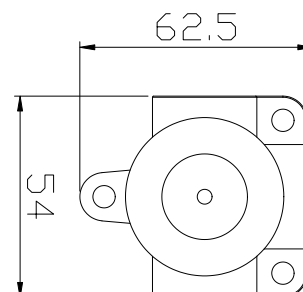
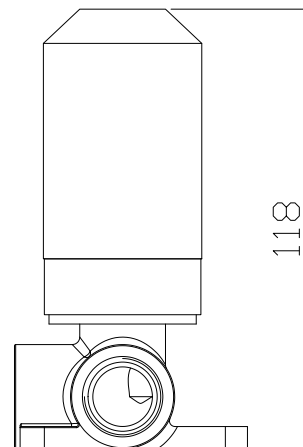


# Edge II Wall Mixer Inwall Body.

Product Code: 285013

## Product Specifications.

<b>Warranty</b>	20 years - Mixer Cartridge, Body, Aerator, Hoses, Spout, Handle and Chrome Finish 10 years - Handpieces and pull-down hoses 5 years - PVD and Electroplate finishes 1 year - Seals and Labour
<b>Material</b>	DR Brass
<b>Mount Type</b>	Wall mount Flat mount with 3 point fixing
<b>Cartridge &amp; Operation</b>	35mm ceramic disc with brass cartridge housing
<b>Recommended Operating Pressure</b>	150/500kpa
<b>Inclusions</b>	Mixer In Wall Body Installation instructions



For more information call 1800 BATHROOM (1800 228 476) or visit [raymor.com.au](http://raymor.com.au)

© Registered trademark of Tradelink. All dimensions are in millimetres. Dimensions are approximate and should be checked against the physical product before installation. Changes may be made to this specification without notice due to our commitment to continual improvement. See [raymor.com.au](http://raymor.com.au) for full warranty details.  
All dimensions in mm.

Version 1

**raymor**