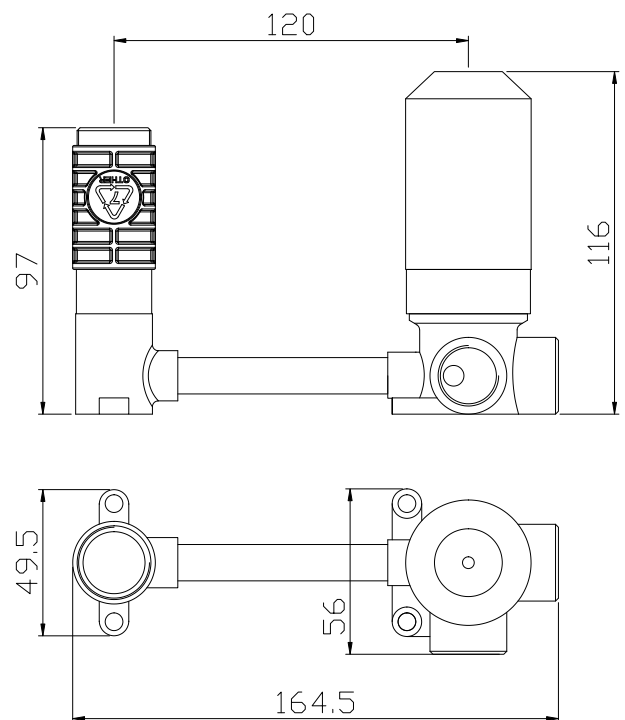
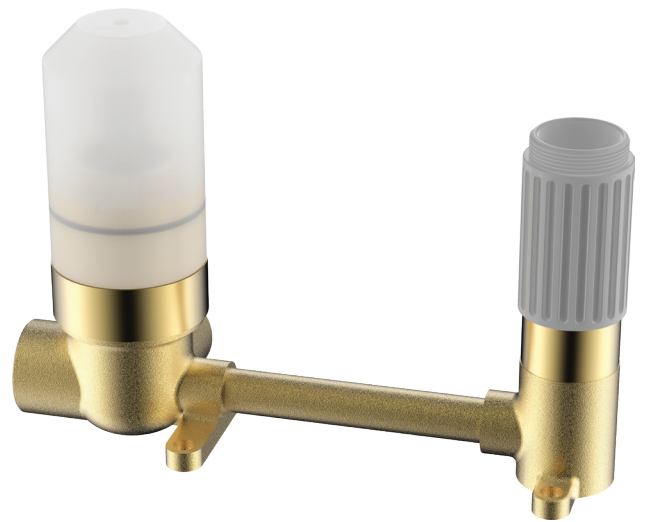


Edge II Wall Mixer Set Inwall Body.

Product Code: 285502

Product Specifications.

Warranty	20 years - Mixer Cartridge, Body, Aerator, Hoses, Spout, Handle and Chrome Finish 10 years - Handpieces and pull-down hoses 5 years - PVD and Electroplate finishes 1 year - Seals and Labour
Material	Lead Free Brass
Mount Type	Wall mount Flat mount with 4 point fixing
Cartridge & Operation	35mm ceramic disc with brass cartridge housing
Recommended Operating Pressure	150/500kpa
Inclusions	Mixer In Wall Body Installation instructions



For more information call 1800 BATHROOM (1800 228 476) or visit raymor.com.au

® Registered trademark of Tradelink. All dimensions are in millimetres. Dimensions are approximate and should be checked against the physical product before installation. Changes may be made to this specification without notice due to our commitment to continual improvement. See raymor.com.au for full warranty details.
All dimensions in mm.

Version 1

raymor