

Winton Wall Mixer Set with 200mm Spout Brushed Nickel.

Product Code: 296682



Product Specifications.

WELS rating	WELS 5 STAR 6.0L/min	Handle Style	Paddle
Warranty	20 years - Mixer Cartridge, Body, Aerator, Hoses, Spout, Handle and Chrome Finish 10 years - Handpieces and pull-down hoses 5 years - PVD and Electroplate finishes 1 year - Seals and Labour	Recommended Operating Pressure	150/500kpa
Colour	Brushed Nickel	Inclusions	Wall Mixer Trim with spout Mixer In Wall Body Optional open flow aerator Installation instructions
Finish	Electroplating	Maintenance & Care	Clean using a soft sponge or cloth with warm soapy water or detergent. Never use abrasive brushes or scourer pads to clean products. Rinse with water immediately after using any cleaning solution
Material	Lead Free Brass body and spout		
Mount Type	Wall mount		
Cartridge & Operation	35mm ceramic disc with brass cartridge housing		

For more information call 1800 BATHROOM (1800 228 476) or visit raymor.com.au

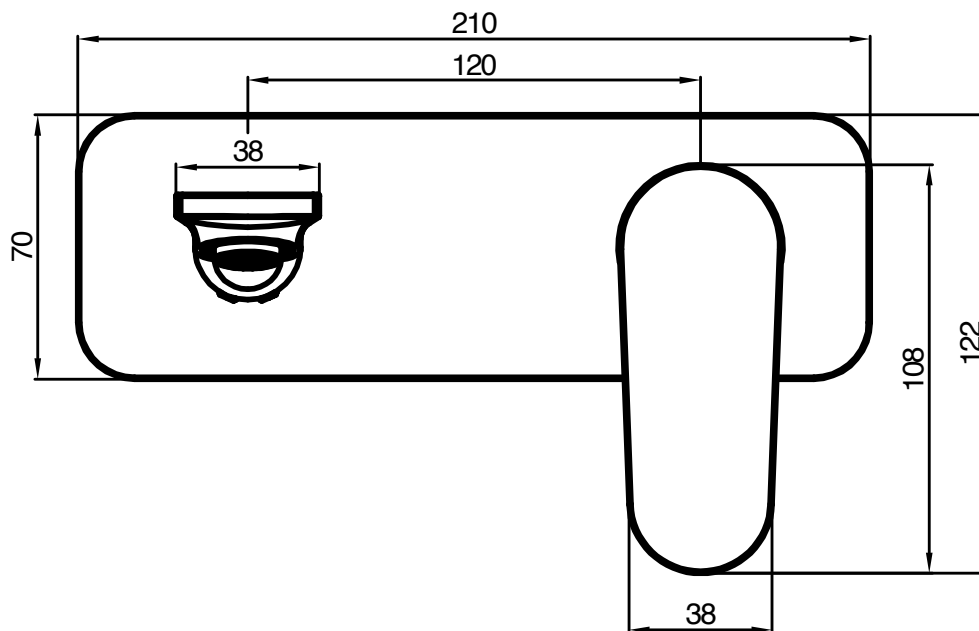
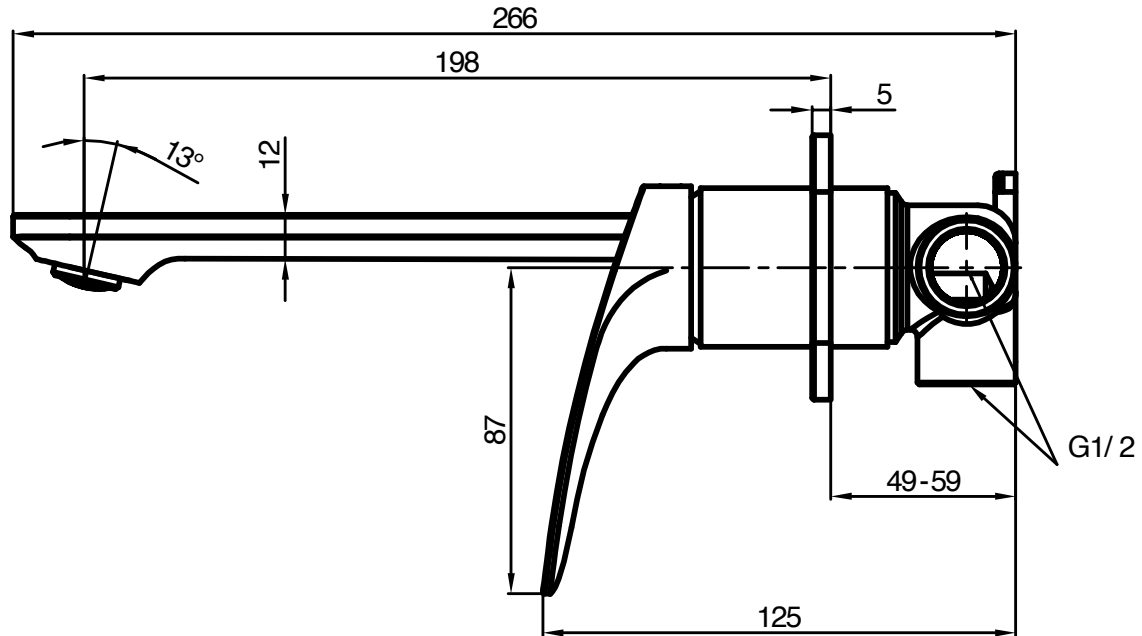
© Registered trademark of Tradelink. All dimensions are in millimetres. Dimensions are approximate and should be checked against the physical product before installation. Changes may be made to this specification without notice due to our commitment to continual improvement. See raymor.com.au for full warranty details.
All dimensions in mm.

Version 1

raymor

Winton Wall Mixer Set with 200mm Spout Brushed Nickel.

Product Code: 296682



For more information call 1800 BATHROOM (1800 228 476) or visit raymor.com.au

© Registered trademark of Tradelink. All dimensions are in millimetres. Dimensions are approximate and should be checked against the physical product before installation. Changes may be made to this specification without notice due to our commitment to continual improvement. See raymor.com.au for full warranty details.

All dimensions in mm.

Version 1

raymor