

# Edge II Wall Mixer Brushed Nickel.

Product Code: 296679



## Product Specifications.

|                                  |  |                                       |   |
|----------------------------------|--|---------------------------------------|---|
| <b>WELS rating</b>               | n/a  | <b>Handle Style</b>                   | Paddle  |
| <b>Warranty</b>                  | 20 years - Mixer Cartridge, Body, Aerator, Hoses, Spout, Handle and Chrome Finish<br>10 years - Handpieces and pull-down hoses<br>5 years - PVD and Electroplate finishes<br>1 year - Seals and Labour | <b>Recommended Operating Pressure</b> | 150/500kpa  |
| <b>Colour</b>                    | Brushed Nickel   | <b>Inclusions</b>                     | Wall Mixer Trim<br>Mixer In Wall Body<br>Installation instructions  |
| <b>Finish</b>                    | Electroplating   | <b>Maintenance &amp; Care</b>         | Clean using a soft sponge or cloth with warm soapy water or detergent. Never use abrasive brushes or scourer pads to clean products. Rinse with water immediately after using any cleaning solution |
| <b>Material</b>                  | DR Brass   |                                       |   |
| <b>Mount Type</b>                | Wall mount   |                                       |   |
| <b>Cartridge &amp; Operation</b> | 35mm ceramic disc with brass cartridge housing   |                                       |   |

For more information call 1800 BATHROOM (1800 228 476) or visit [raymor.com.au](http://raymor.com.au)

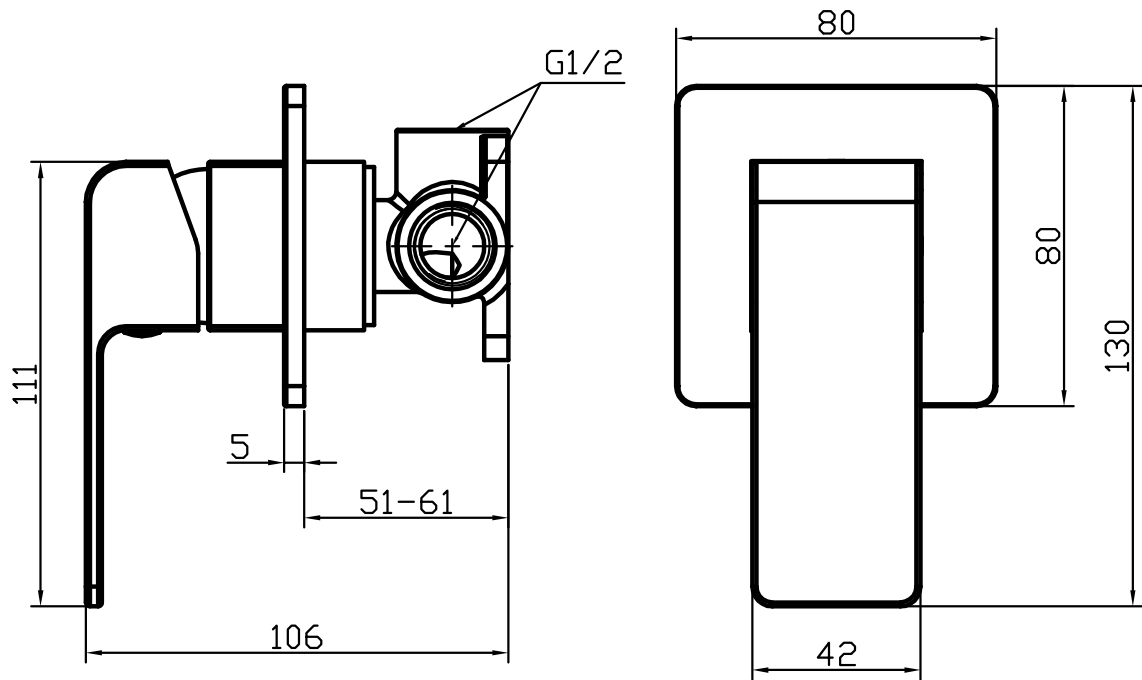
© Registered trademark of Tradelink. All dimensions are in millimetres. Dimensions are approximate and should be checked against the physical product before installation. Changes may be made to this specification without notice due to our commitment to continual improvement. See [raymor.com.au](http://raymor.com.au) for full warranty details.  
All dimensions in mm.

Version 1

**raymor**

# Edge II Wall Mixer Brushed Nickel.

Product Code: 296679



For more information call 1800 BATHROOM (1800 228 476) or visit [raymor.com.au](http://raymor.com.au)

© Registered trademark of Tradelink. All dimensions are in millimetres. Dimensions are approximate and should be checked against the physical product before installation. Changes may be made to this specification without notice due to our commitment to continual improvement. See [raymor.com.au](http://raymor.com.au) for full warranty details.  
All dimensions in mm.

Version 1

**raymor**