

# Winton Basin Mixer Tower Black.

Product Code: 285003

## Product Specifications.

<b>WELS rating</b>	WELS 5 Star 6.0L/min
<b>Warranty</b>	20 years - Mixer Cartridge, Body, Aerator, Hoses, Spout, Handle and Chrome Finish 10 years - Handpieces and pull-down hoses 5 years - PVD and Electroplate finishes 1 year - Seals and Labour
<b>Colour</b>	Black
<b>Finish</b>	Electroplating
<b>Material</b>	Lead Free Brass
<b>Mount Type</b>	Hob mount
<b>Spout Reach</b>	150mm
<b>Spout Height</b>	246mm
<b>Swivel</b>	No



<b>Cartridge &amp; Operation</b>	25mm ceramic disc
<b>Connector Tails</b>	Nylon braided PERT lined hoses
<b>Handle Style</b>	Paddle
<b>Recommended Operating Pressure</b>	150/500kpa
<b>Inclusions</b>	Tower Mixer Installation instructions
<b>Maintenance &amp; Care</b>	Clean using a soft sponge or cloth with warm soapy water or detergent. Never use abrasive brushes or scourer pads to clean products. Rinse with water immediately after using any cleaning solution

For more information call 1800 BATHROOM (1800 228 476) or visit [raymor.com.au](http://raymor.com.au)

© Registered trademark of Tradelink. All dimensions are in millimetres. Dimensions are approximate and should be checked against the physical product before installation. Changes may be made to this specification without notice due to our commitment to continual improvement. See [raymor.com.au](http://raymor.com.au) for full warranty details.

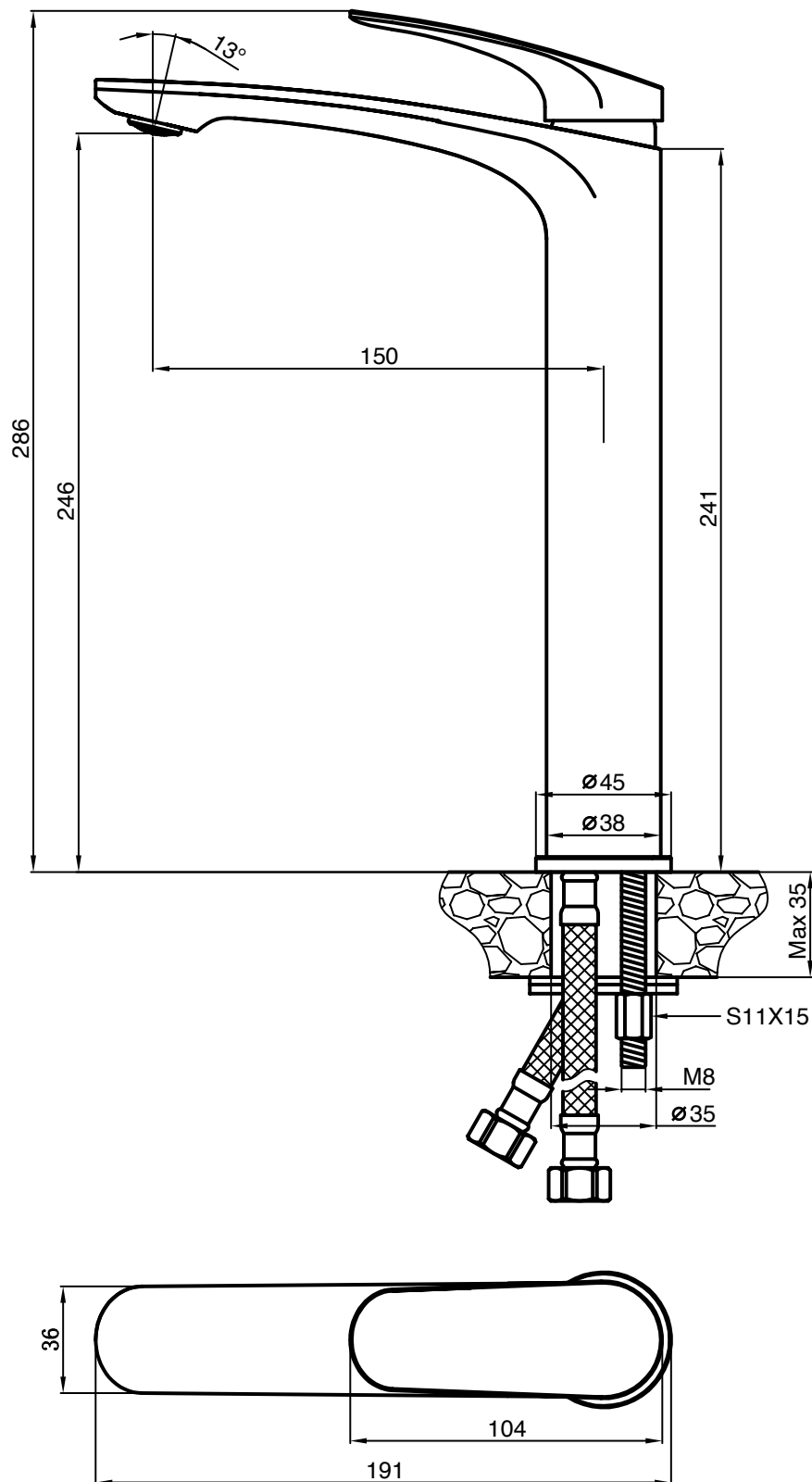
All dimensions in mm.

Version 1

**raymor**

# Winton Basin Mixer Tower Black.

Product Code: 285003



For more information call 1800 BATHROOM (1800 228 476) or visit [raymor.com.au](http://raymor.com.au)

© Registered trademark of Tradelink. All dimensions are in millimetres. Dimensions are approximate and should be checked against the physical product before installation. Changes may be made to this specification without notice due to our commitment to continual improvement. See [raymor.com.au](http://raymor.com.au) for full warranty details.

All dimensions in mm.  
Version 1

raymor