

Winton Basin Mixer Tower Chrome.

Product Code: 285002

Product Specifications.

WELS rating WELS 5 Star 6.0L/min

Warranty 20 years - Mixer Cartridge, Body, Aerator, Hoses, Spout, Handle and Chrome Finish
10 years - Handpieces and pull-down hoses
5 years - PVD and Electroplate finishes
1 year - Seals and Labour

Colour Chrome

Finish Electroplating

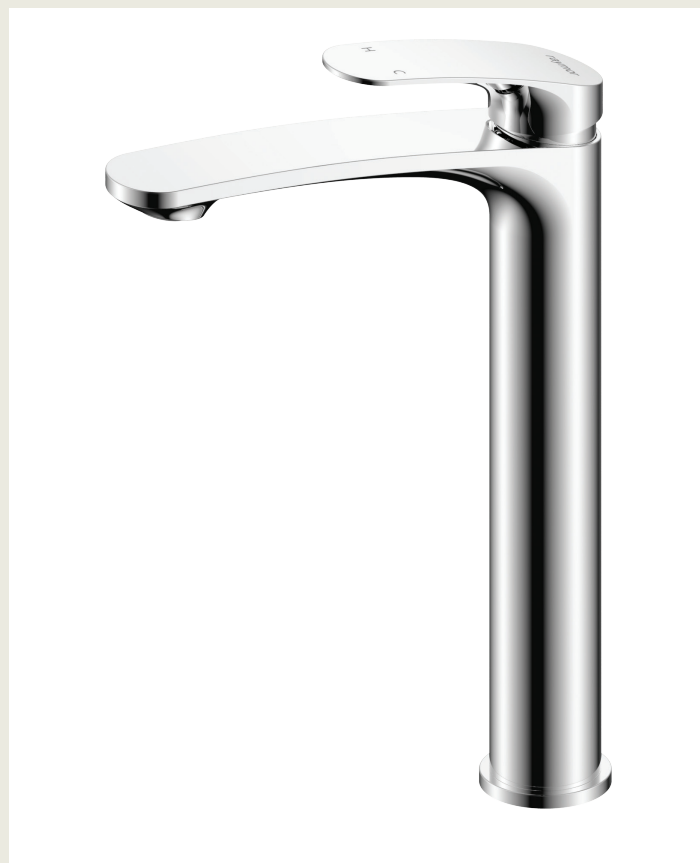
Material Lead Free Brass

Mount Type Hob mount

Spout Reach 150mm

Spout Height 246mm

Swivel No



Cartridge & Operation 25mm ceramic disc

Connector Tails Nylon braided PERT lined hoses

Handle Style Paddle

Recommended Operating Pressure 150/500kpa

Inclusions Tower Mixer
Installation instructions

Maintenance & Care Clean using a soft sponge or cloth with warm soapy water or detergent. Never use abrasive brushes or scourer pads to clean products. Rinse with water immediately after using any cleaning solution

For more information call 1800 BATHROOM (1800 228 476) or visit raymor.com.au

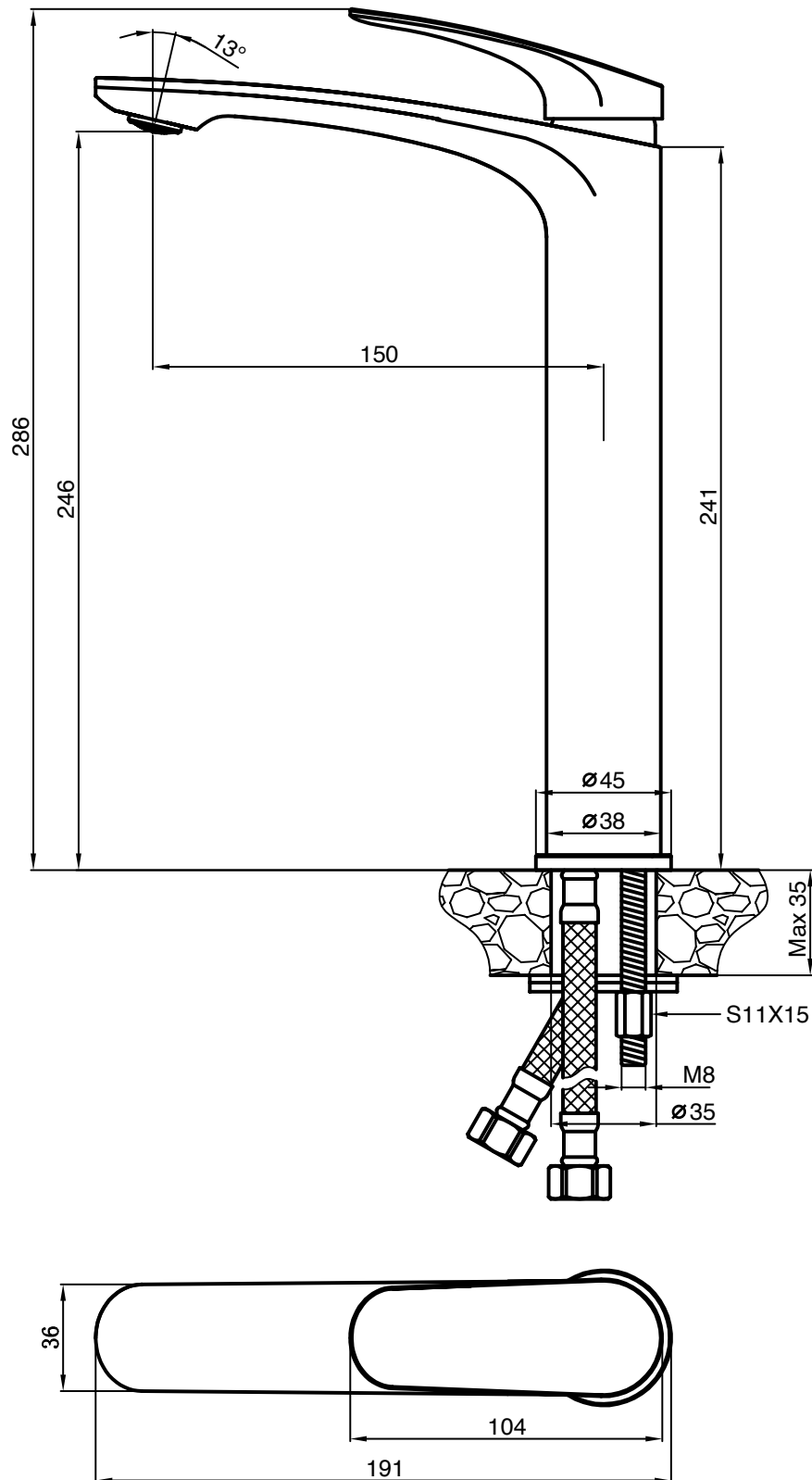
© Registered trademark of Tradelink. All dimensions are in millimetres. Dimensions are approximate and should be checked against the physical product before installation. Changes may be made to this specification without notice due to our commitment to continual improvement. See raymor.com.au for full warranty details.
All dimensions in mm.

Version 1

raymor

Winton Basin Mixer Tower Chrome.

Product Code: 285002



For more information call 1800 BATHROOM (1800 228 476) or visit raymor.com.au

© Registered trademark of Tradelink. All dimensions are in millimetres. Dimensions are approximate and should be checked against the physical product before installation. Changes may be made to this specification without notice due to our commitment to continual improvement. See raymor.com.au for full warranty details.
All dimensions in mm.

Version 1

raymor