

Edge II Basin Mixer Black.

Product Code: 285882



Product Specifications.

WELS rating	WELS 5 Star 6.0L/min	Cartridge & Operation	35mm ceramic disc
Warranty	20 years - Mixer Cartridge, Body, Aerator, Hoses, Spout, Handle and Chrome Finish 10 years - Handpieces and pull-down hoses 5 years - PVD and Electroplate finishes 1 year - Seals and Labour	Connector Tails	Nylon braided PERT lined hoses
Colour	Black	Handle Style	Paddle
Finish	Electroplating	Recommended Operating Pressure	150/500kpa
Material	Lead Free Brass	Inclusions	Basin Mixer Installation instructions
Mount Type	Hob mount	Maintenance & Care	Clean using a soft sponge or cloth with warm soapy water or detergent. Never use abrasive brushes or scourer pads to clean products. Rinse with water immediately after using any cleaning solution
Spout Reach	120mm		
Spout Height	110mm		
Swivel	No		

For more information call 1800 BATHROOM (1800 228 476) or visit raymor.com.au

© Registered trademark of Tradelink. All dimensions are in millimetres. Dimensions are approximate and should be checked against the physical product before installation. Changes may be made to this specification without notice due to our commitment to continual improvement. See raymor.com.au for full warranty details.

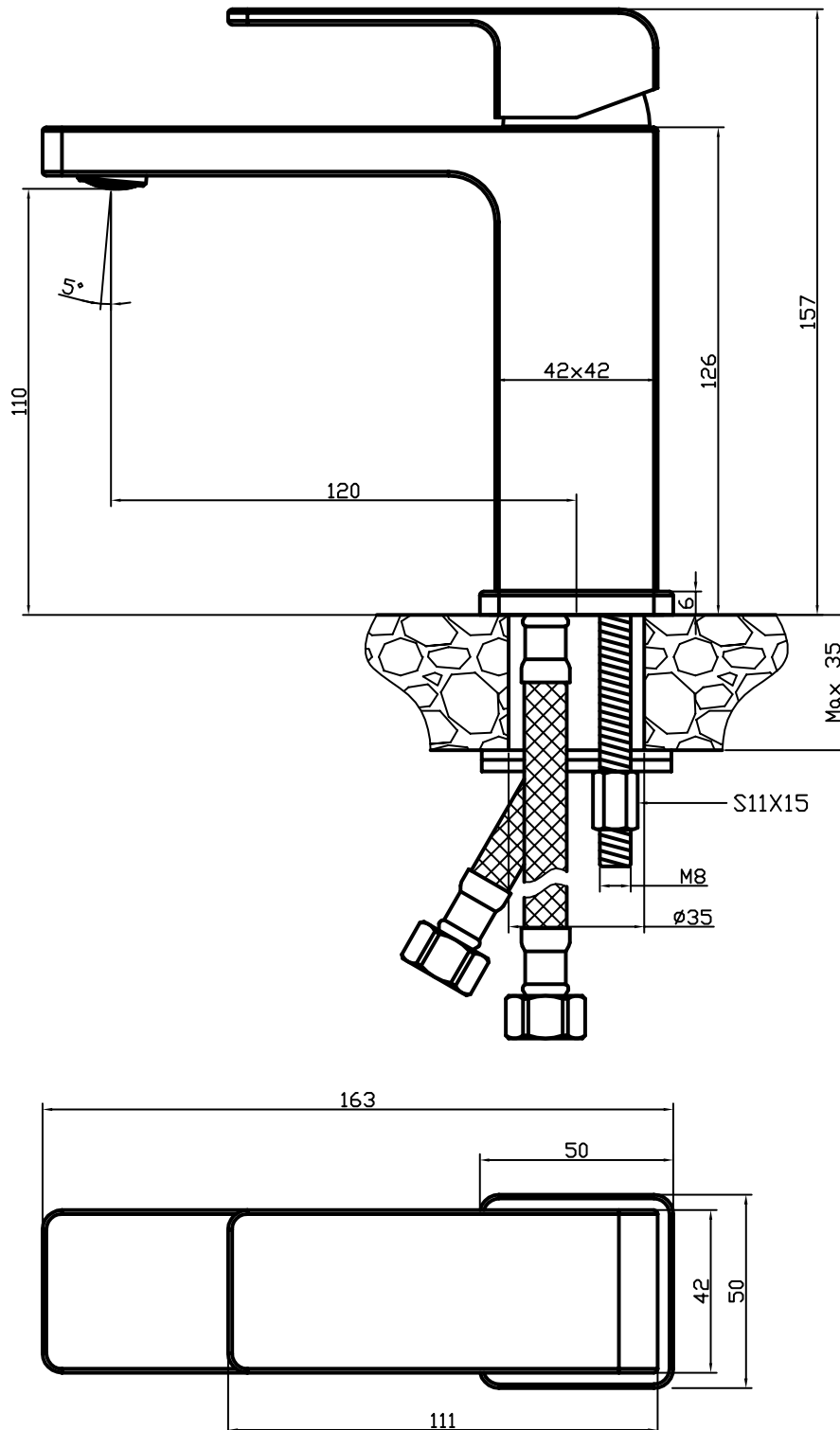
All dimensions in mm.

Version 1

raymor

Edge II Basin Mixer Black.

Product Code: 285882



For more information call 1800 BATHROOM (1800 228 476) or visit raymor.com.au

© Registered trademark of Tradelink. All dimensions are in millimetres. Dimensions are approximate and should be checked against the physical product before installation. Changes may be made to this specification without notice due to our commitment to continual improvement. See raymor.com.au for full warranty details.
All dimensions in mm.

Version 1

raymor