

# Winton Basin Mixer Black.

Product Code: 285000



## Product Specifications.

<b>WELS rating</b>	WELS 5 Star 6.0L/min	<b>Cartridge &amp; Operation</b>	25mm ceramic disc
<b>Warranty</b>	20 years - Mixer Cartridge, Body, Aerator, Hoses, Spout, Handle and Chrome Finish 10 years - Handpieces and pull-down hoses 5 years - PVD and Electroplate finishes 1 year - Seals and Labour	<b>Connector Tails</b>	Nylon braided PERT lined hoses
<b>Colour</b>	Black	<b>Handle Style</b>	Paddle
<b>Finish</b>	Electroplating	<b>Recommended Operating Pressure</b>	150/500kpa
<b>Material</b>	Lead Free Brass	<b>Inclusions</b>	Basin Mixer Installation instructions
<b>Mount Type</b>	Hob mount	<b>Maintenance &amp; Care</b>	Clean using a soft sponge or cloth with warm soapy water or detergent. Never use abrasive brushes or scourer pads to clean products. Rinse with water immediately after using any cleaning solution
<b>Spout Reach</b>	121mm		
<b>Spout Height</b>	125mm		
<b>Swivel</b>	No		

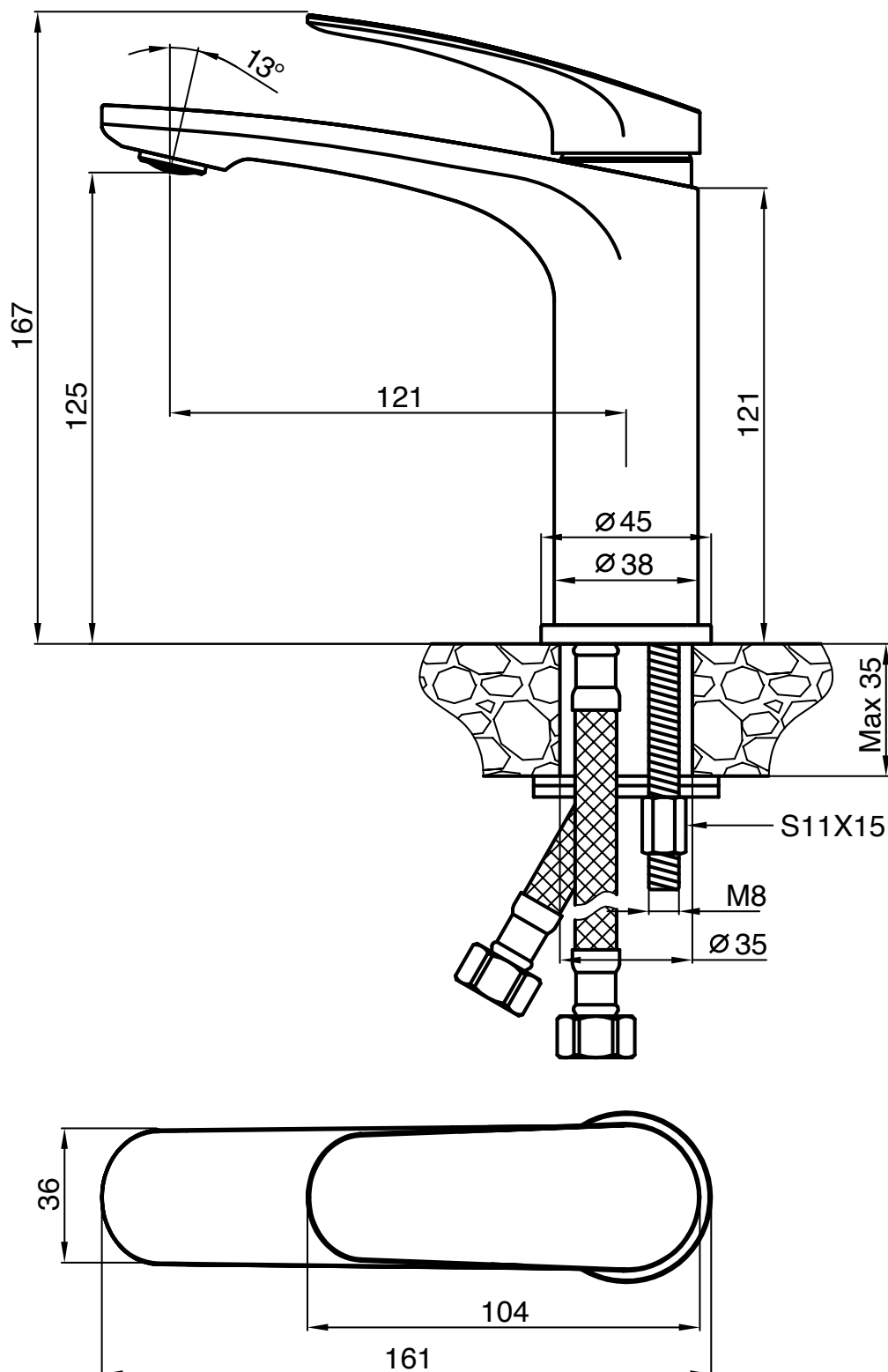
For more information call 1800 BATHROOM (1800 228 476) or visit [raymor.com.au](http://raymor.com.au)

© Registered trademark of Tradelink. All dimensions are in millimetres. Dimensions are approximate and should be checked against the physical product before installation. Changes may be made to this specification without notice due to our commitment to continual improvement. See [raymor.com.au](http://raymor.com.au) for full warranty details.  
All dimensions in mm.  
Version 1

**raymor**

# Winton Basin Mixer Black.

Product Code: 285000



For more information call 1800 BATHROOM (1800 228 476) or visit [raymor.com.au](http://raymor.com.au)

© Registered trademark of Tradelink. All dimensions are in millimetres. Dimensions are approximate and should be checked against the physical product before installation. Changes may be made to this specification without notice due to our commitment to continual improvement. See [raymor.com.au](http://raymor.com.au) for full warranty details.

All dimensions in mm.  
Version 1

raymor