

Ascot Floor or Wall Mount Vanity 910mm 2 Draw LH 1 Door

Product Code: N/A



Product Specifications.

Installation type

Colour

Finish

Warranty 10 years - cabinet - vanities, mirrored cabinets (excluding mirror)
7 years - hardware, runners, hinges
5 years - vitreous china top
1 year - mirrors (including mirrored surfaces on cabinets), plug and waste, overflow rings, seals and labour

Width 910mm

Height Floor Standing 850mm / Wall Hung 700mm

Depth 460mm

Top type Moulded top with intergrated basin

Top Material Vitreous china

No. Bowls 1

Bowl Orientation Centre

Tap Hole 1

Tap Hole Orientation 12 o'clock

Overflow Yes

Plug & Waste Included Yes - Chrome mushroom pop up plug and waste

Cabinet Material

Laminated FSC certified E0 MR MDF and HMR particle board

No. Draws 2

No. Doors 1

Door & Draw Configuration LH Draws, RH Door

Handle Type Finger pull

Runners and Hinges Soft close door hinges and draw runners

Other variants available See next page

Inclusions Vanity top
Cabinet with detachable kick
Chrome mushroom pop up plug and waste
Chrome black and white overflow covers
Install instructions

Maintenance & Care

Goods used in construction are moisture-resistant, but not water-proof. It is important that your bathroom has sufficient ventilation. High humidity will lead to permanent dampness and mould, resulting in deterioration. Care must always be taken to dry any excessive moisture or water spillage. All cabinets should be installed at least 300mm away from showers or bathtubs. To maintain the finish on your cabinet and ceramic top use only a soft cloth and weak solution of non-abrasive detergent.

For more information call 1800 BATHROOM (1800 228 476) or visit raymor.com.au

® Registered trademark of Tradelink. All dimensions are in millimetres. Dimensions are approximate and should be checked against the physical product before installation. Changes may be made to this specification without notice due to our commitment to continual improvement. See raymor.com.au for full warranty details.

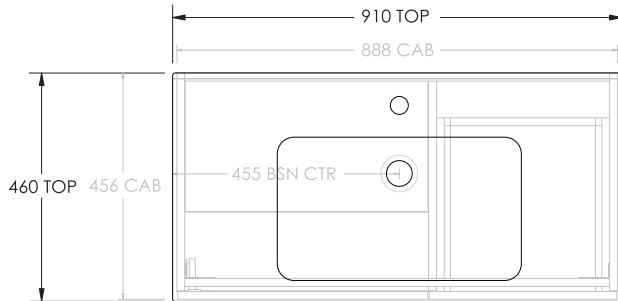
All dimensions in mm.

Version 1

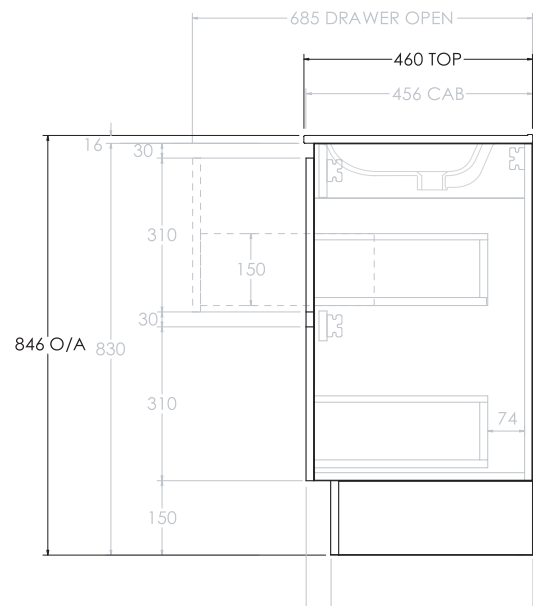
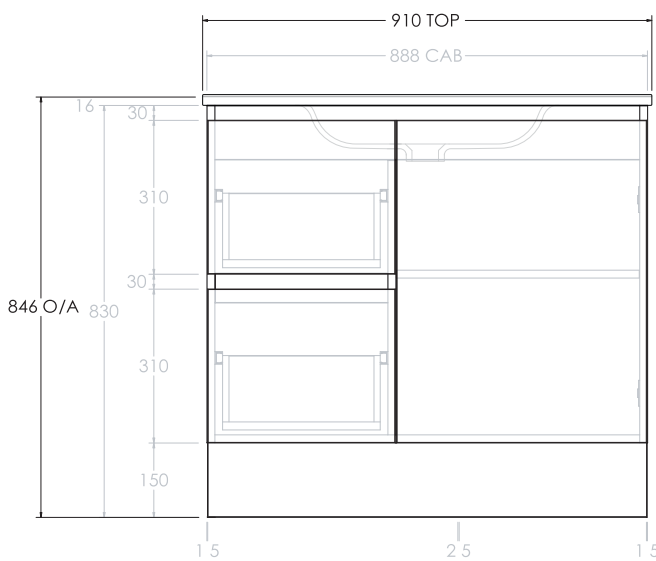
raymor

Ascot Floor or Wall Mount Vanity 910mm 2 Draw LH 1 Door

Product Code: N/A



NOTE: Dimensions are nominal. Do not drill or rough in until you received and measured vanity. Do not measure from drawing. Due to the nature of the material and manufacturing ceramic top sizes and detail may vary +/- 10mm.



Polar White
(Gloss or
Matte)



Natural
Walnut Silk
(Matte)



Plantation
Ash Silk
(Matte)



Palmera
Oak Silk
(Matte)



Amaro Silk
(Matte)



Grey
Nouveau
(Matte)



Black Silk
(Matte)



Oxford Silk
(Matte)

Other variants available

- 299661 Ascot Floor or Wall Mount Vanity 910mm 2 Draw LH 1 Door Polar White Gloss
- 299635 Ascot Floor or Wall Mount Vanity 910mm 2 Draw LH 1 Door Polar White Matte
- 299646 Ascot Floor or Wall Mount Vanity 910mm 2 Draw LH 1 Door Amaro Matte
- 299644 Ascot Floor or Wall Mount Vanity 910mm 2 Draw LH 1 Door Plantation Ash Matte
- 299642 Ascot Floor or Wall Mount Vanity 910mm 2 Draw LH 1 Door Natural Walnut Matte
- 299640 Ascot Floor or Wall Mount Vanity 910mm 2 Draw LH 1 Door Palomera Oak Matte
- 299653 Ascot Floor or Wall Mount Vanity 910mm 2 Draw LH 1 Door Grey Nouveau Matte
- 299651 Ascot Floor or Wall Mount Vanity 910mm 2 Draw LH 1 Door Oxford Matte
- 299649 Ascot Floor or Wall Mount Vanity 910mm 2 Draw LH 1 Door Black Matte

For more information call 1800 BATHROOM (1800 228 476) or visit raymor.com.au

® Registered trademark of Tradelink. All dimensions are in millimetres. Dimensions are approximate and should be checked against the physical product before installation. Changes may be made to this specification without notice due to our commitment to continual improvement. See raymor.com.au for full warranty details.

All dimensions in mm.
Version 1

raymor