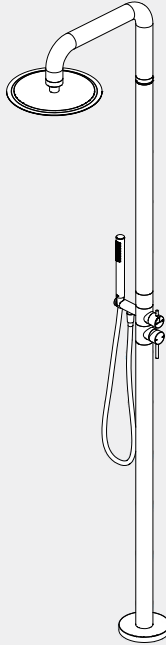


Zen SS316L Outdoor Freestanding Shower Column

Nero

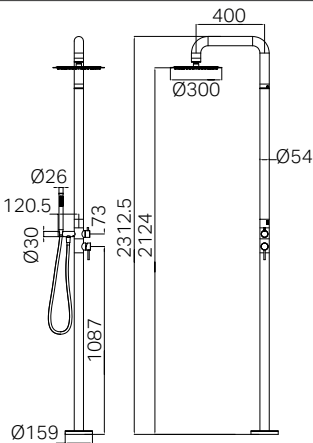


Lead Free



Versions:202405

Drawing



Specifications

Watermark License

WM-060073

Temperature Rating

Min 1 °C - Max 75 °C

Pressure Rating

Min 150kpa - Max 500kpa

Finish & SKU

● **Brushed Bronze**
NR162205aBZ

● **Brushed Gold**
NR162205aBG

● **Graphite**
NR162205aGR

● **Brushed Nickel**
NR162205aBN

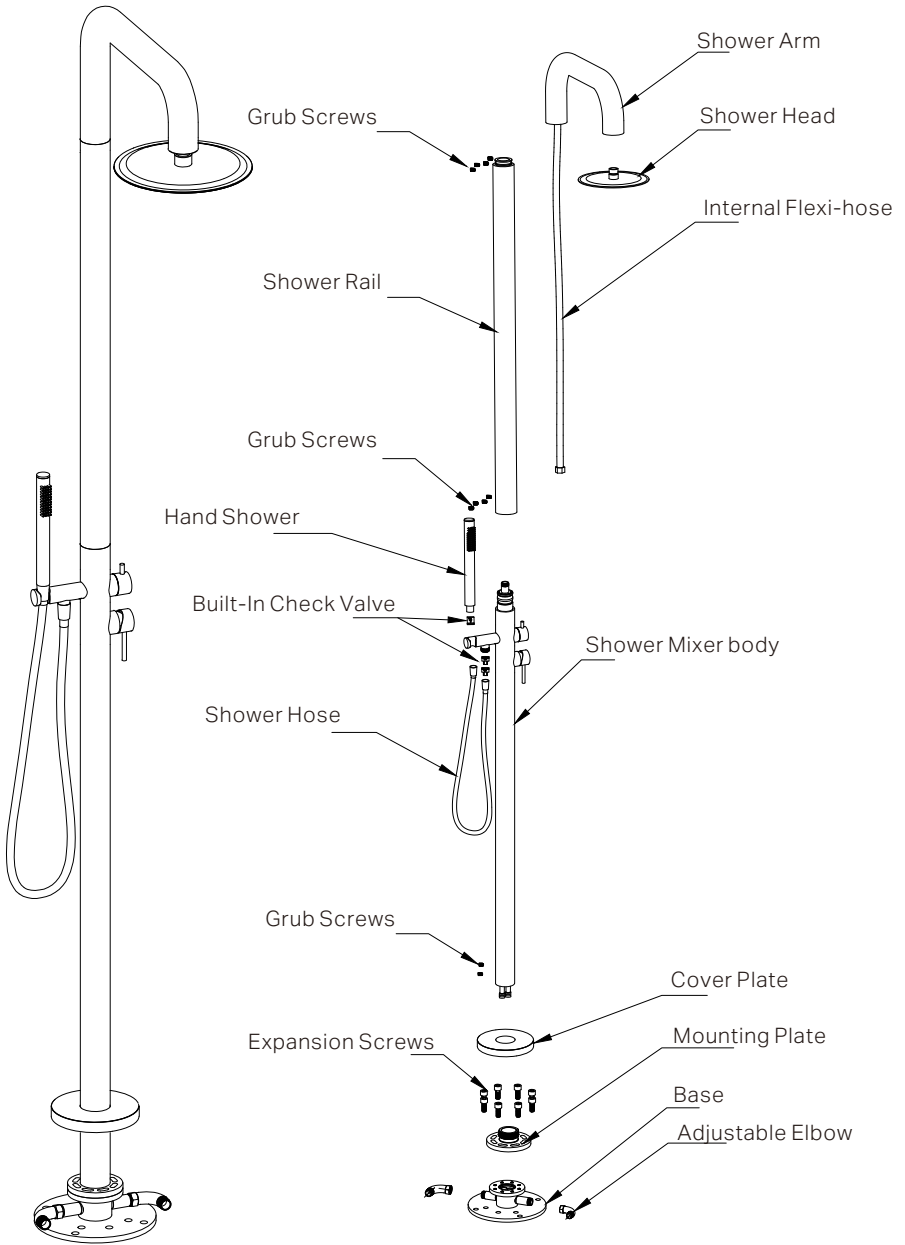
Packaging Includes

- 1x Shower Rail
- 1x Shower Mixer Body
- 1x Shower Arm
- 1x Hand Shower
- 1x Shower Head
- 1x Cover Plate
- 1x 1.5m Outdoor Shower Hose
- 1x Base
- 1x Screw Set
- 1x Mounting Plate
- 2x Adjustable Elbows

*Dimensions are nominal measurements only.

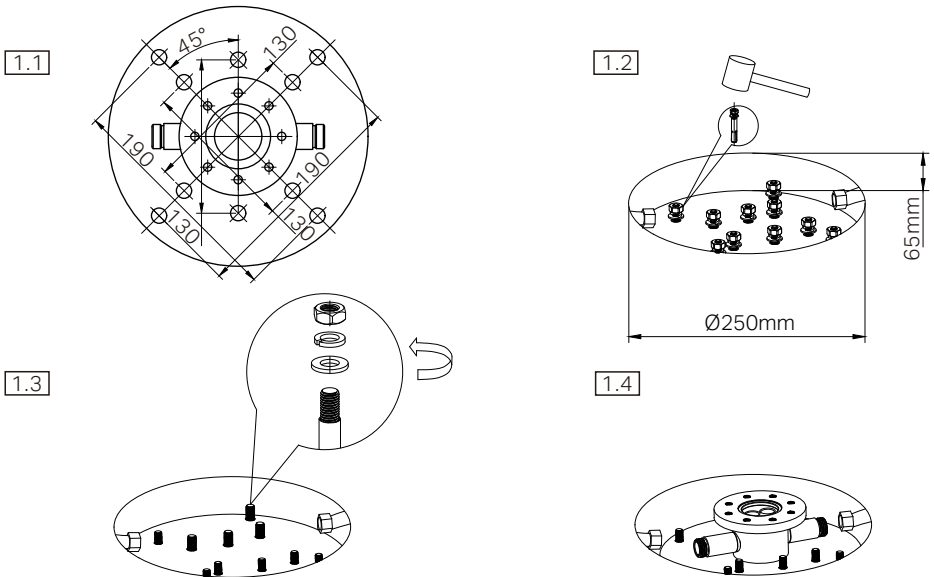
**Dual-check valve pre-installed.

Installation Instruction



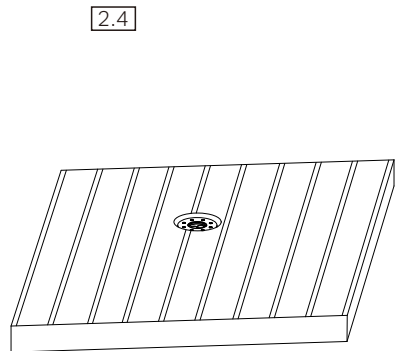
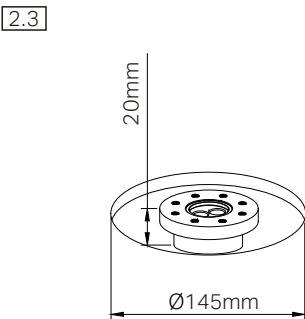
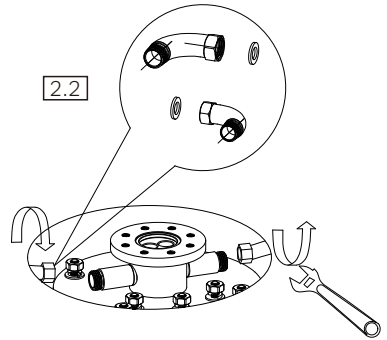
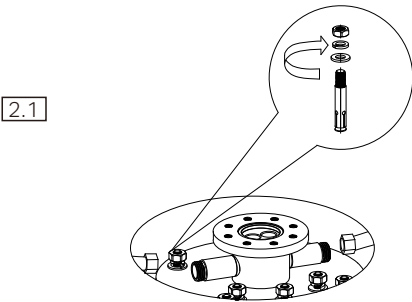
GENERAL INSTRUCTIONS:

- This product must be installed by a licensed plumber. Ensure that your plumbing installation conforms to the Australian/New Zealand Standard AS/NZS 3500.
- All pipework must be thoroughly flushed prior to the installation of the outdoor shower. In-line filters must be fitted on both hot and cold supplies to prevent foreign particles from damaging the shower components.
- Ensure that all outlets used for personal hygiene deliver water at a safe temperature in accordance with regional regulations.
- Verify that the water pressure is within the recommended range for optimal outdoor shower function.
- Ensure the installation area is stable and level, preferably on pre-paved concrete with a floor thickness of at least 50mm. If insufficient, raise the floor by at least 30mm before installation.
- For recessed installation, pre-cast a concrete pit with a diameter of 250mm and a depth of 65mm. Pre-install the hot and cold water pipes in the pit, and fill with concrete to increase stability.
- For surface-mounted installation, install the shower directly on the concrete floor surface. Adding a decorative wooden board can enhance the appearance.
- During installation, use the built-in spirit level in the concealed box to ensure proper alignment and leveling of the shower components.
- Regularly check all fittings and connections to ensure they remain tight and leak-free. Perform periodic maintenance to clean the shower and descale the showerhead if necessary.

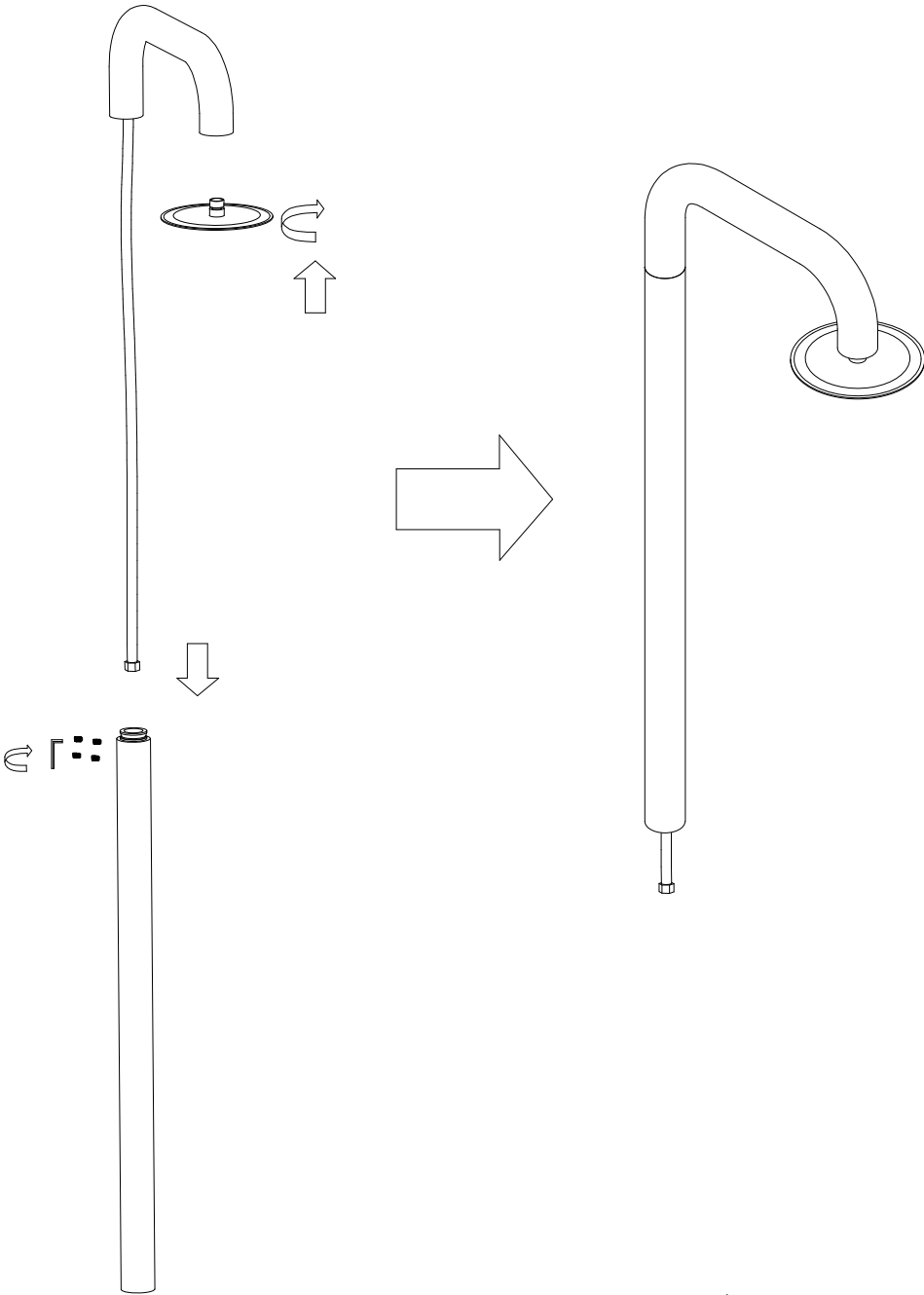


- 1.1 Position the base at the desired installation location and use a marking pen to indicate the hole positions.
- 1.2 Drill ten holes at the marked positions, each with a diameter of 16mm and a depth of 50mm. Insert the expansion screws into the drilled holes.
- 1.3 Remove the nuts and washers from the expansion screws to prepare for base installation.
- 1.4 Align the base with the drilled holes and position it accordingly.

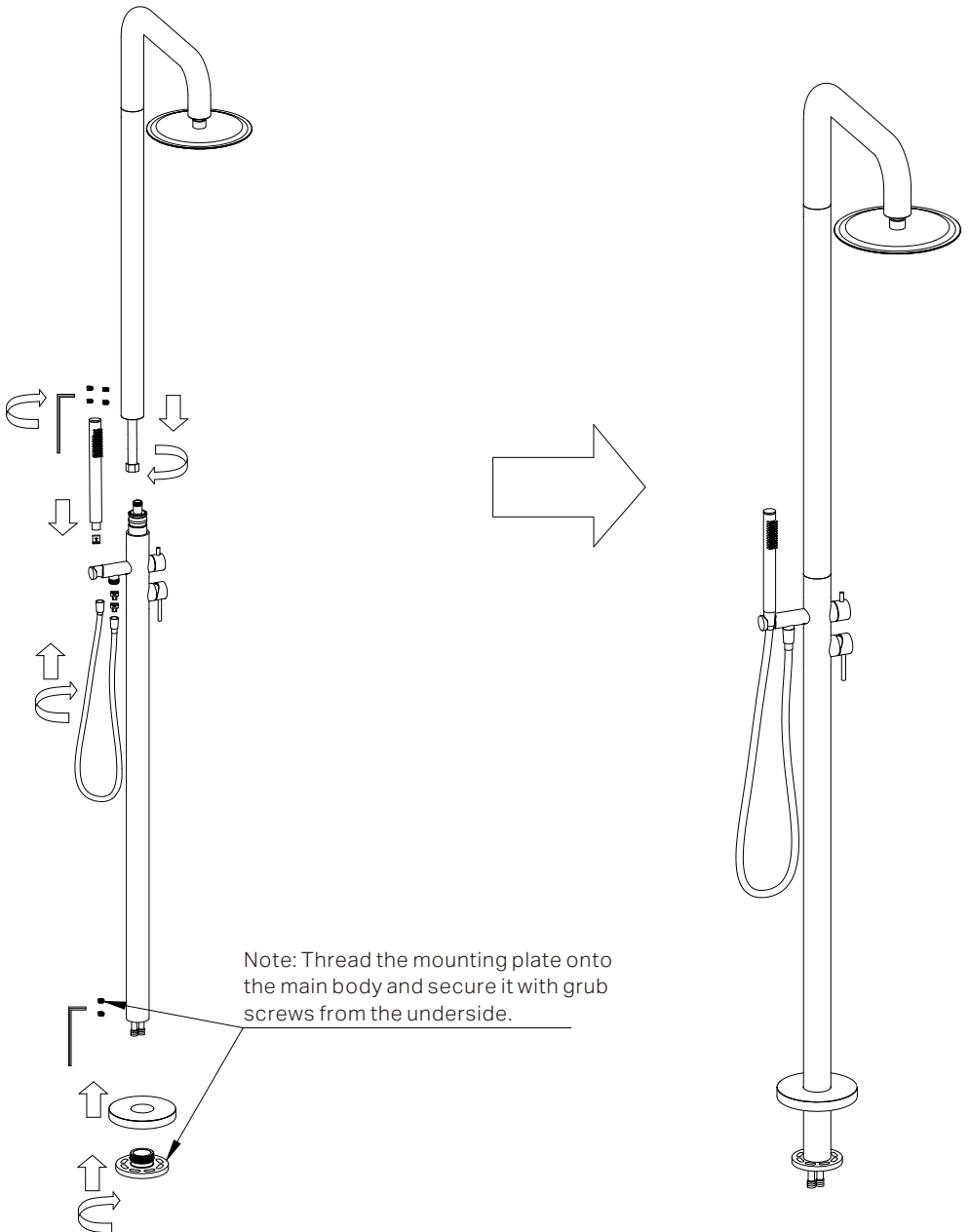
- 2.1 Secure the base by fastening the expansion screws with the provided nuts and washers.
- 2.2 Wrap the inlet connection threads with Teflon tape to ensure a watertight seal. Tighten the inlet pipe using a wrench. If necessary, adjust the angle with an adjustable elbow.
- 2.3 Encase the base in cement, leaving a space with an inner diameter of 145mm and a depth of 20mm for the base screws.
- 2.4 Decorative Board (Optional): Optionally, enhance the appearance by adding a decorative wooden board atop the cement.



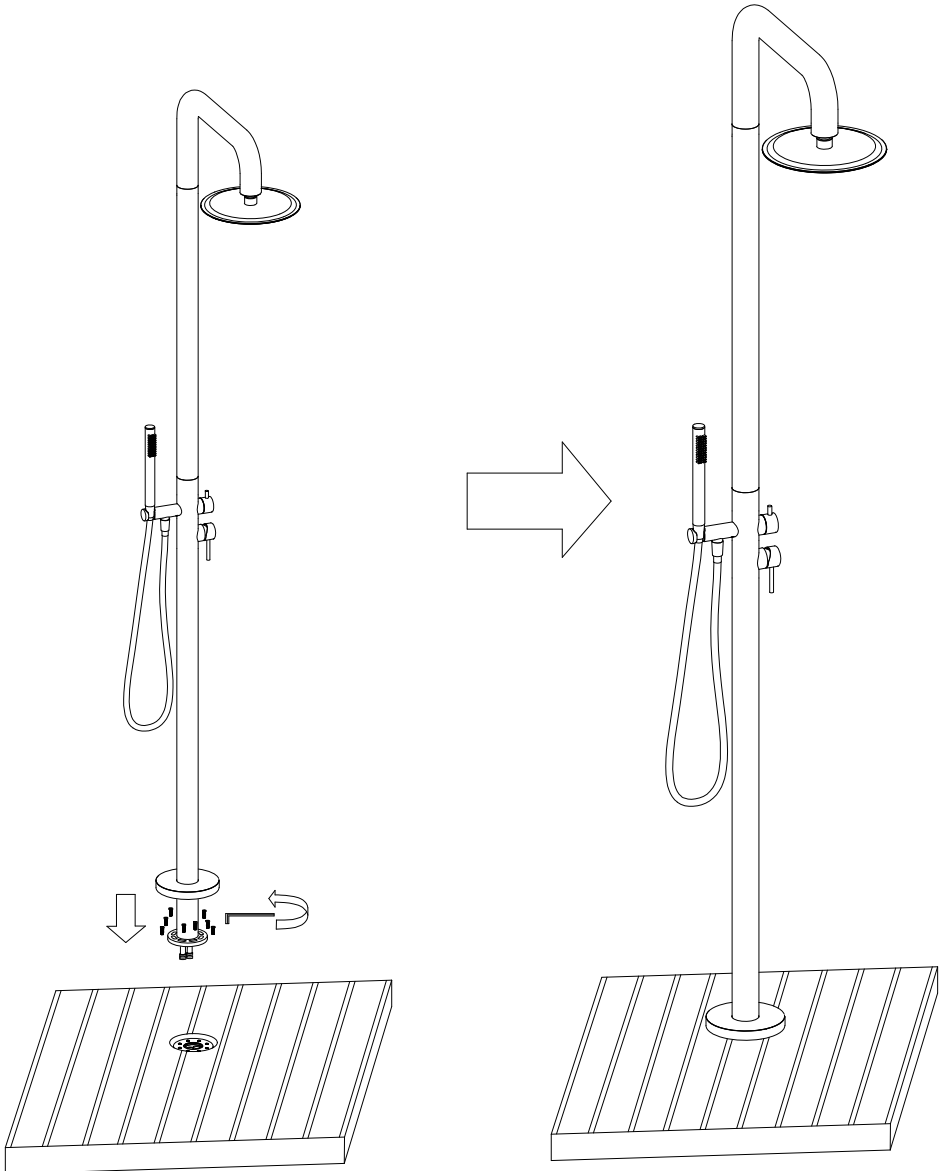
3. Secure the shower head onto the shower arm by screwing it in place. Tighten the screws on the shower rail and shower arm, ensuring that the grub screws are positioned at the back of the rail.



- 4.1 Attach the internal flexible hose to the shower mixer body, ensuring a watertight connection.
- 4.2 Secure the top rail to the main body, ensuring the grub screws are fully tightened.
- 4.3 Slide the cover plate into position.
- 4.4 Secure the mounting plate to the main body from the underside using hex screws.
- 4.5 Connect the hand shower to the hose and place it onto the bracket.



- 5.1 Remove the four screws from the base to release the the protective plate and the testing plug.
- 5.2 Insert the hot and cold water supply lines to the water inlets.
- 5.3 Attach the mounting plate to the base, securing it with hex screws. Ensure the connection is stable.
- 5.4 Slide the cover plate down to complete the installation.
- 5.5 Test for leaks.



Nero



Lead Free

