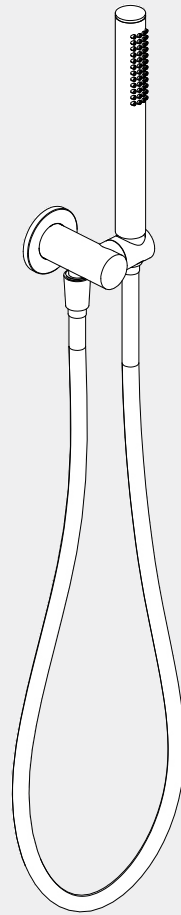


Zen SS316L Shower On Bracket

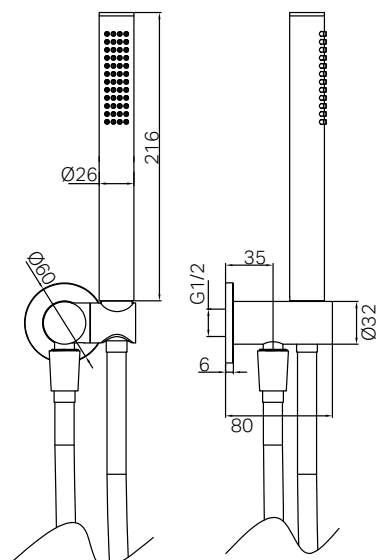
Nero



Versions:202405



Drawing



Specifications

Watermark License
WM-060093

Temperature Rating
Min 1°C - Max 75°C

Pressure Rating
Min 150kpa - Max 500kpa

Finish & SKU

With Outdoor Shower Hose

● **Brushed Bronze**
NR162205d01BZ

● **Brushed Gold**
NR162205d01BG

● **Graphite**
NR162205d01GR

● **Brushed Nickel**
NR162205d01BN

With PVC Shower Hose

● **Brushed Bronze**
NR162205d02BZ

● **Brushed Gold**
NR162205d02BG

● **Graphite**
NR162205d02GR

● **Brushed Nickel**
NR162205d02BN

Packaging Includes

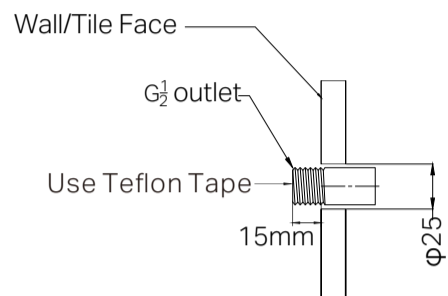
1x Hand Shower (Built-In Check Valve)
1x Shower Bracket
1x 1.5m Hose

*Dimensions are nominal measurements only.

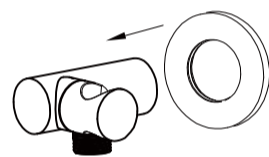
Installation Instruction

GENERAL INSTRUCTIONS:

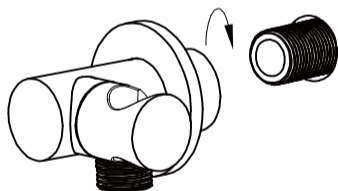
- This product must be installed by a licensed plumber. Ensure that your plumbing installation conforms to the Australian/New Zealand Standard AS/NZS 3500.
- All pipework must be thoroughly flushed prior to the installation of the shower. In-line filters must be fitted on both hot and cold supplies to prevent foreign particles from damaging the shower components.
- Ensure that all outlets used for personal hygiene deliver water at a safe temperature in accordance with regional regulations.
- Verify that the water pressure is within the recommended range for the shower to function properly.



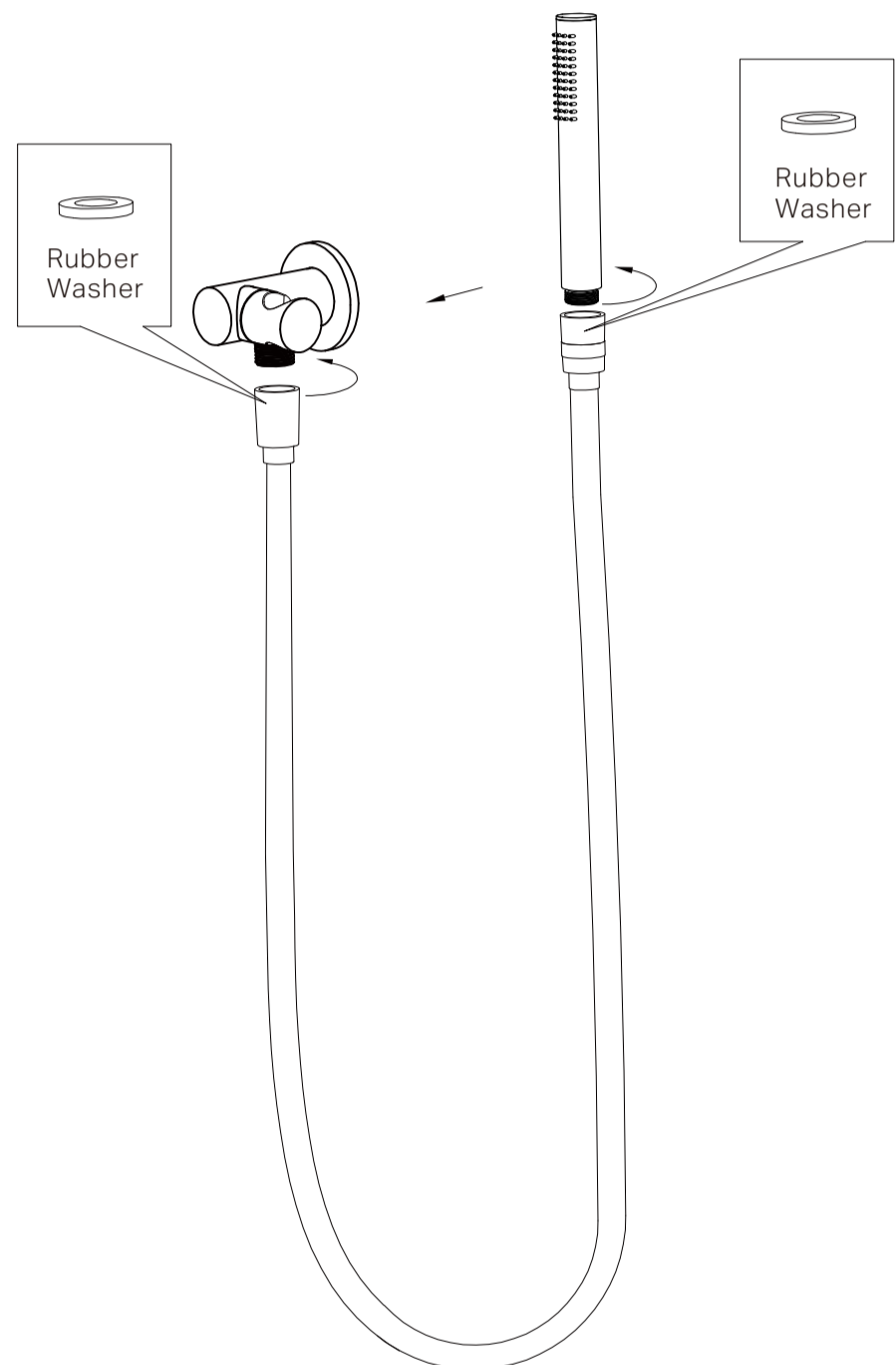
1. Check that G1/2 outlet thread is the correct length as shown. Cut to length if required ensuring end face is square. Wrap the G1/2 water outlet connection with Teflon tape to ensure a watertight seal.



2. Slide the backplate onto the shower bracket.



3. Thread shower bracket onto the G 1/2 outlet. Do not over tighten. Push the backplate against the wall/ tile surface.



4. Connect hand shower with the hose and shower rail, ensuring rubber washers are present at both connections for leak prevention. Make sure each screw connection is strong. Open the drainage system and water supply, check if there's any leakage in the connections.

MAINTENANCE AND CARE:

- Regularly check the shower system and all connections for signs of wear or leaks.
- Clean all shower components with mild soapy water to maintain their appearance, avoiding harsh chemicals and abrasive materials that may damage the finish.
- Descale the showerhead, hand shower, and other components periodically to prevent mineral buildup, which can affect water flow and performance.
- Inspect and replace any worn-out parts, such as seals or washers, to ensure the longevity and efficiency of the shower system.
- Ensure all moving parts, such as adjustable brackets or sliding rails, are functioning smoothly and are properly lubricated if necessary.

FINAL INSPECTION:

- Ensure the shower operates smoothly and that there are no leaks at the connections.
- Verify that the water temperature and flow are consistent and as desired.
- Clean the area and the newly installed shower with a soft cloth to remove any installation residues.

Nero

