

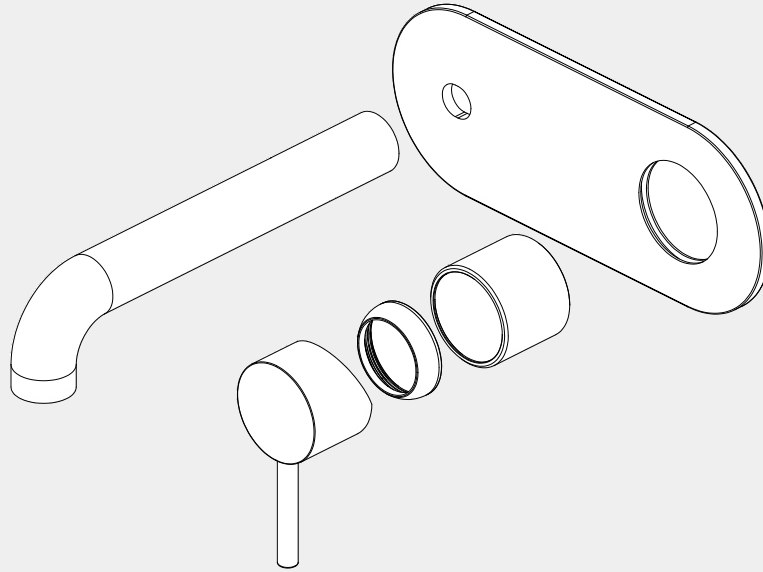
Zen SS316L Wall Basin/Bath Mixer

Nero

185/230mm Spout Trim Kits Only



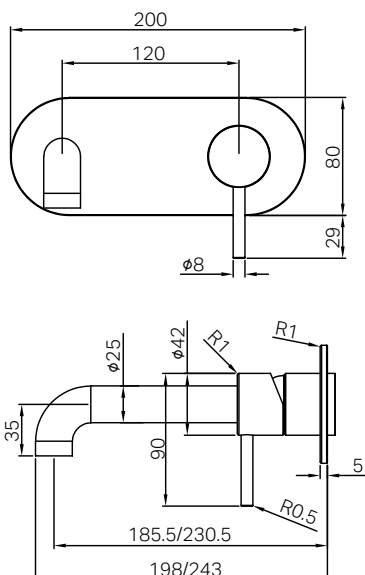
Lead Free



Versions:202405



Drawing



Specifications

Watermark License
WM-060073

Temperature Rating
Min 1°C-Max 75°C

Pressure Rating
Min 150kpa - Max 500kpa

Packaging Includes

1x Spout
1x Plate
1x Handle
1x Cartridge Bell
1x Dressing Ring

Finish & SKU

Brushed Bronze
 NR162210a(185/230)tBZ

Graphite
 NR162210a(185/230)tGR

Brushed Gold
 NR162210a(185/230)tBG

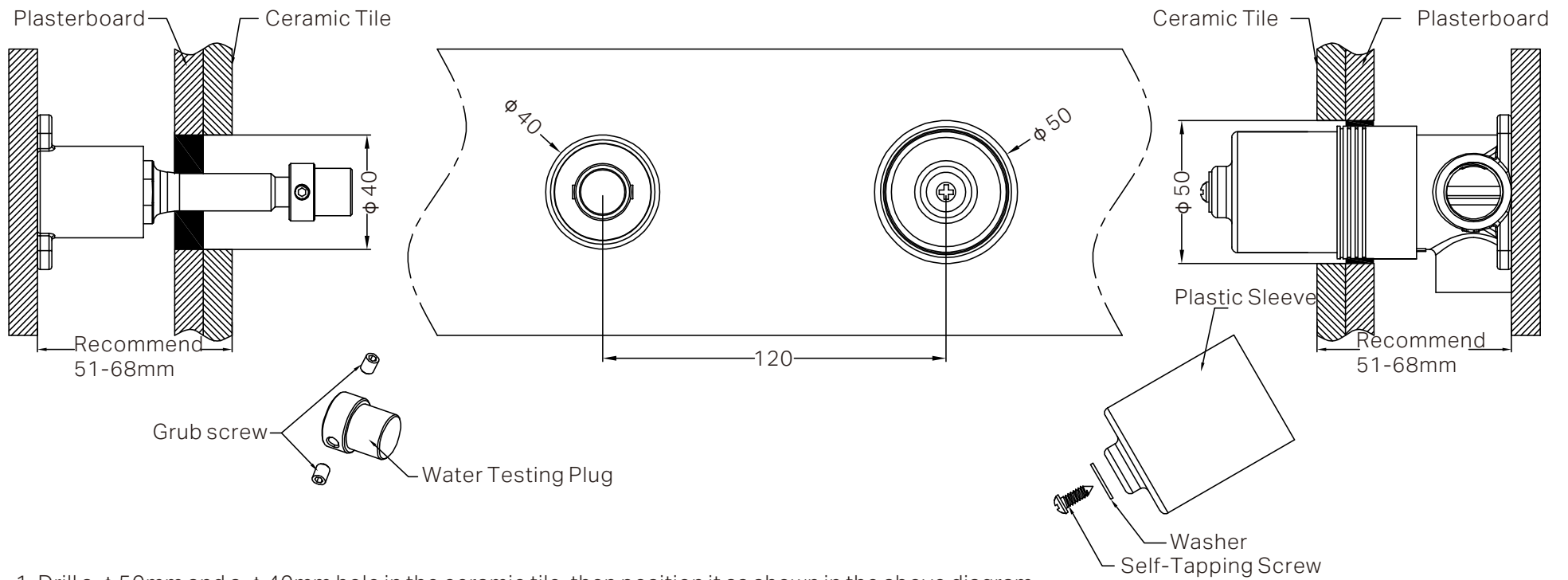
Brushed Nickel
 NR162210a(185/230)tBN

*Dimensions are nominal measurements only.

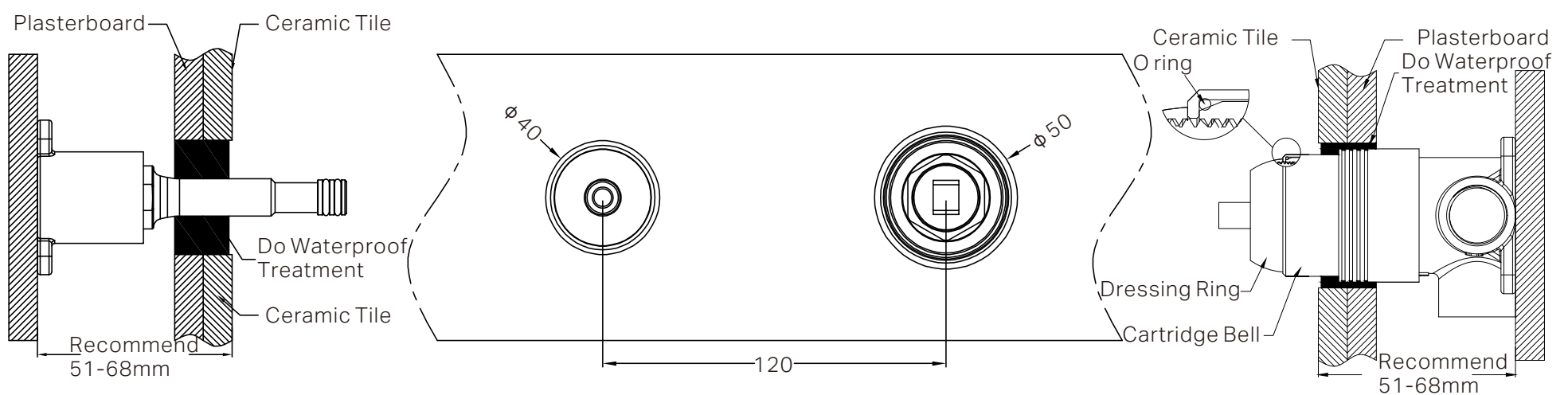
Installation Instruction

GENERAL INSTRUCTIONS:

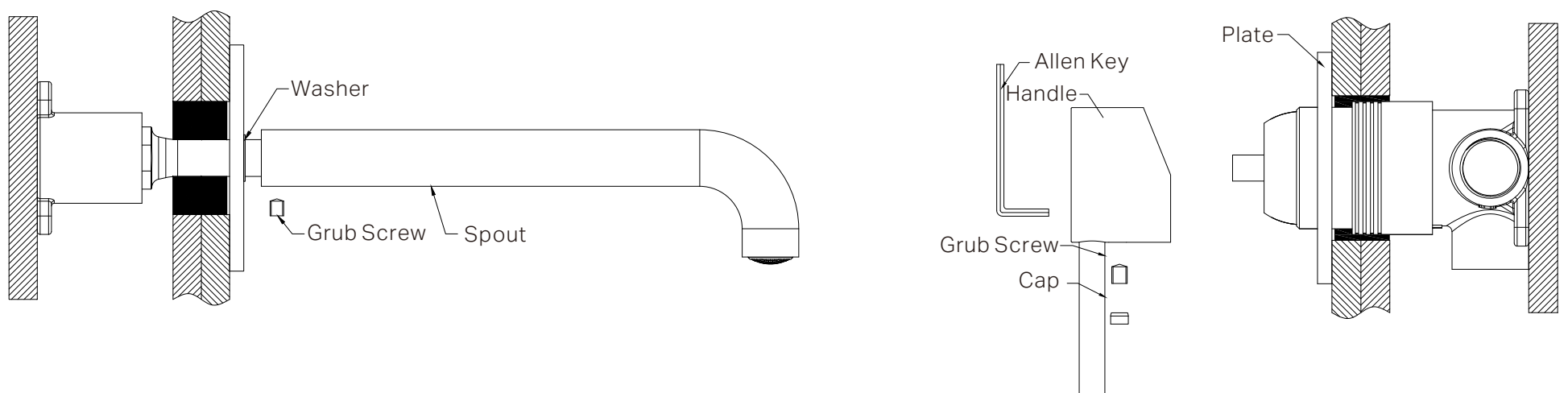
- This product must be installed by a licensed plumber. Ensure that your plumbing installation conforms to the Australian/New Zealand Standard AS/NZS 3500.
- All pipework must be thoroughly flushed prior to the installation of the mixer. In-line filters must be fitted on both hot and cold supplies to prevent foreign particles from damaging the ceramic cartridge.
- All outlets used primarily for personal hygiene must deliver water at a safe temperature in accordance with regional regulations.



1. Drill a $\phi 50$ mm and a $\phi 40$ mm hole in the ceramic tile, then position it as shown in the above diagram.
2. Undo the self-taping screw to remove the plastic sleeve, and release the grub screws to remove the water testing plug.



3. Insert the O ring to the cartridge bell groove, and slide the dressing ring onto cartridge.
4. Apply waterproof treatment to the area indicated in the diagram above.
5. Tighten up the dressing ring on the cartridge bell.



6. Slide the backplate and washer onto the wall, set the spout in place, and secure it tightly using the grub screw.
 7. Position the handle, tighten it with a grub screw using an Allen key, and cap the grub screw hole.
- Please note: there is a washer between backplate and the spout.

MAINTENANCE AND CARE:

- Regularly check the mixer and connections for signs of wear or leaks.
- Clean the tap with mild soapy water to maintain its appearance, avoiding harsh chemicals and abrasive materials that may damage the finish.

FINAL INSPECTION:

- Ensure the tap operates smoothly and that there are no leaks at the connections.
- Clean the area and the newly installed tap with a soft cloth to remove any installation residues.

Nero



Lead Free

