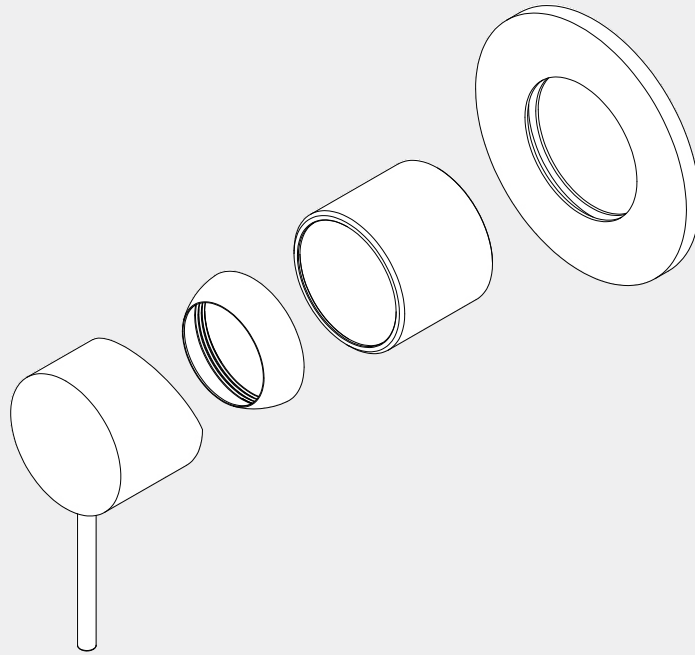


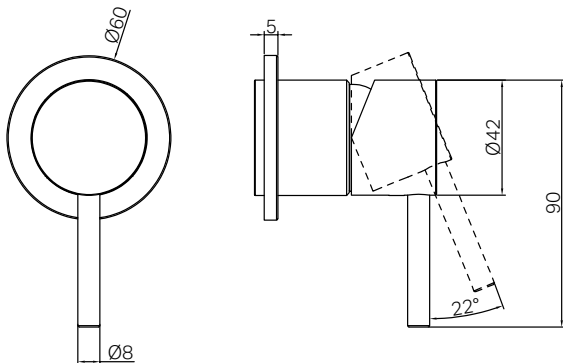
Zen SS316L Shower Mixer Trim Kits Only

Nero



Versions:202405

Drawing



Specifications

Watermark License

WM-060073

Temperature Rating

Min 1°C-Max 75°C

Pressure Rating

Min 150kpa - Max 500kpa

Finish & SKU

● Brushed Bronze
NR162211tBZ

● Brushed Gold
NR162211tBG

● Graphite
NR162211tGR

● Brushed Nickel
NR162211tBN

Packaging Includes

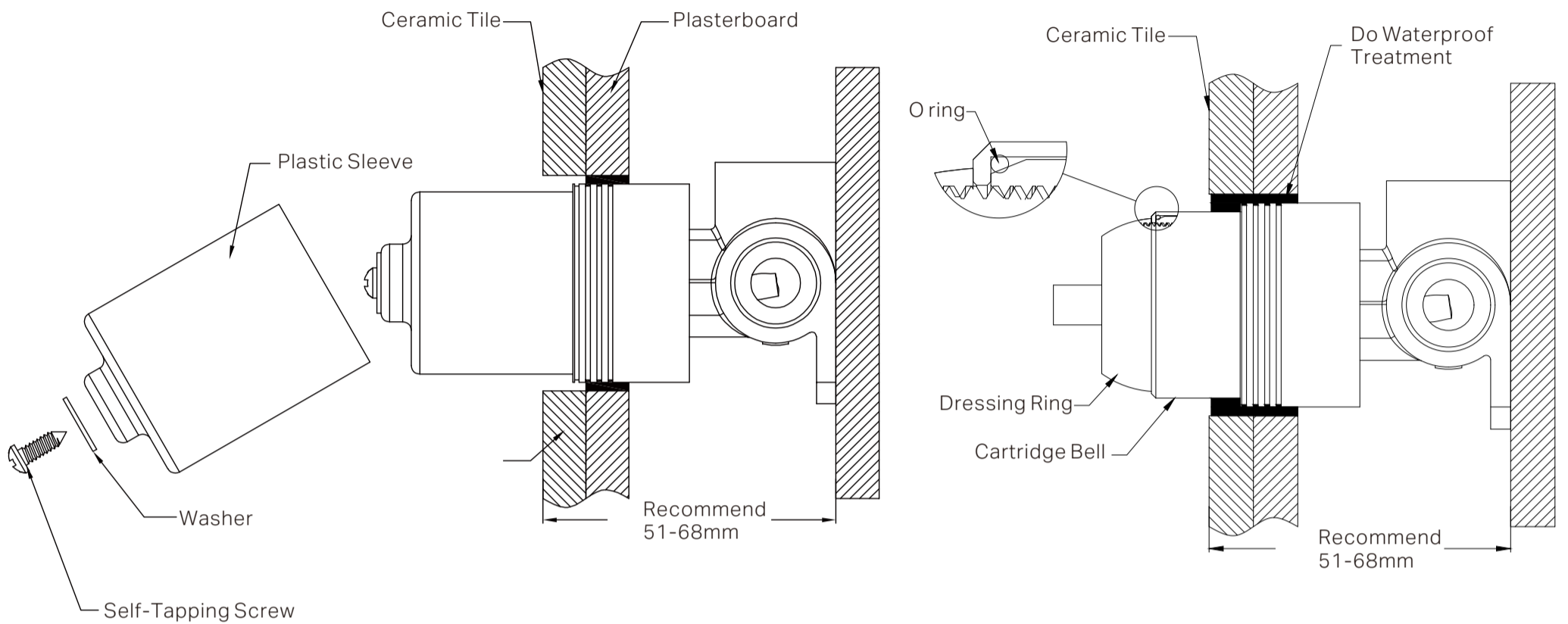
1x Plate
1x Handle
1x Cartridge Bell
1x Dressing Ring

*Dimensions are nominal measurements only.

Installation Instruction

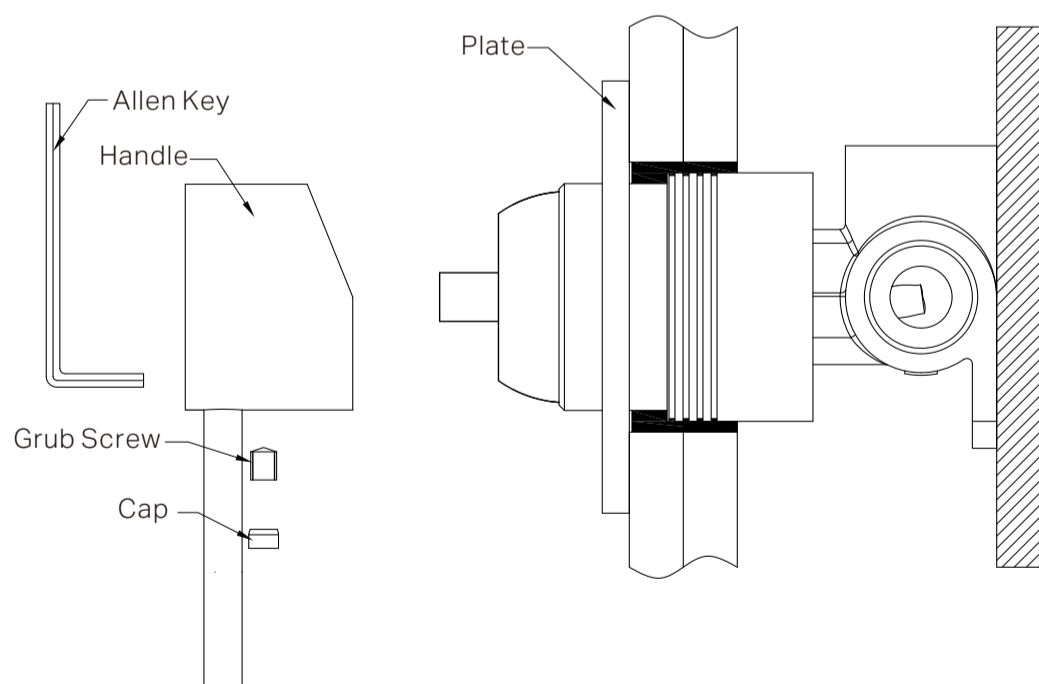
GENERAL INSTRUCTIONS:

- This product must be installed by a licensed plumber. Ensure that your plumbing installation conforms to the Australian/New Zealand Standard AS/NZS 3500.
- All pipework must be thoroughly flushed prior to the installation of the mixer. In-line filters must be fitted on both hot and cold supplies to prevent foreign particles from damaging the ceramic cartridge.
- All outlets used primarily for personal hygiene must deliver water at a safe temperature in accordance with regional regulations.



1. Drill a $\phi 50\text{mm}$ hole in the ceramic tile, then position it as shown in the above diagram.
2. Undo the self-tapping screw, washer, plastic sleeve.

3. Insert the O ring to the cartridge bell groove, and slide the dressing ring onto cartridge.
4. Apply waterproof treatment to the area in the diagram above.
5. Tighten the dressing ring on the cartridge bell.



6. Slide the backplate onto the wall.
7. Position the handle, tighten it with a grub screw using an Allen key, and cap the grub screw hole.

MAINTENANCE AND CARE:

- Regularly check the mixer and connections for signs of wear or leaks.
- Clean the tap with mild soapy water to maintain its appearance, avoiding harsh chemicals and abrasive materials that may damage the finish.

FINAL INSPECTION:

- Ensure the tap operates smoothly and that there are no leaks at the connections.
- Clean the area and the newly installed tap with a soft cloth to remove any installation residues.

Nero

