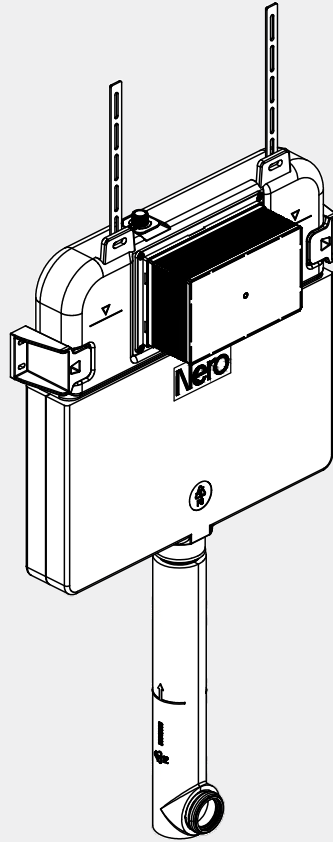


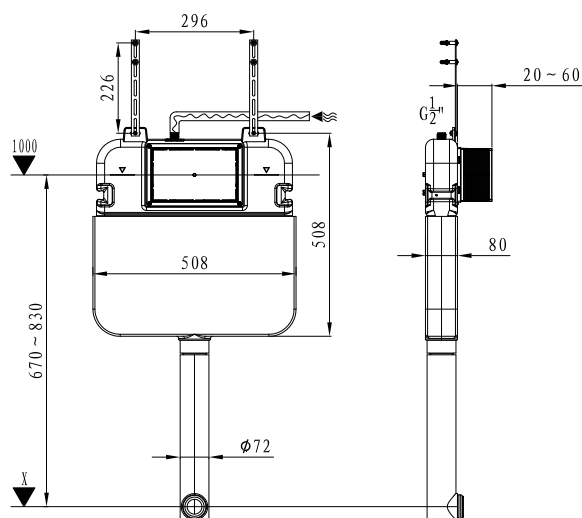
Concealed Pneumatic In Wall Cistern

Nero



Versions:202401

Drawing

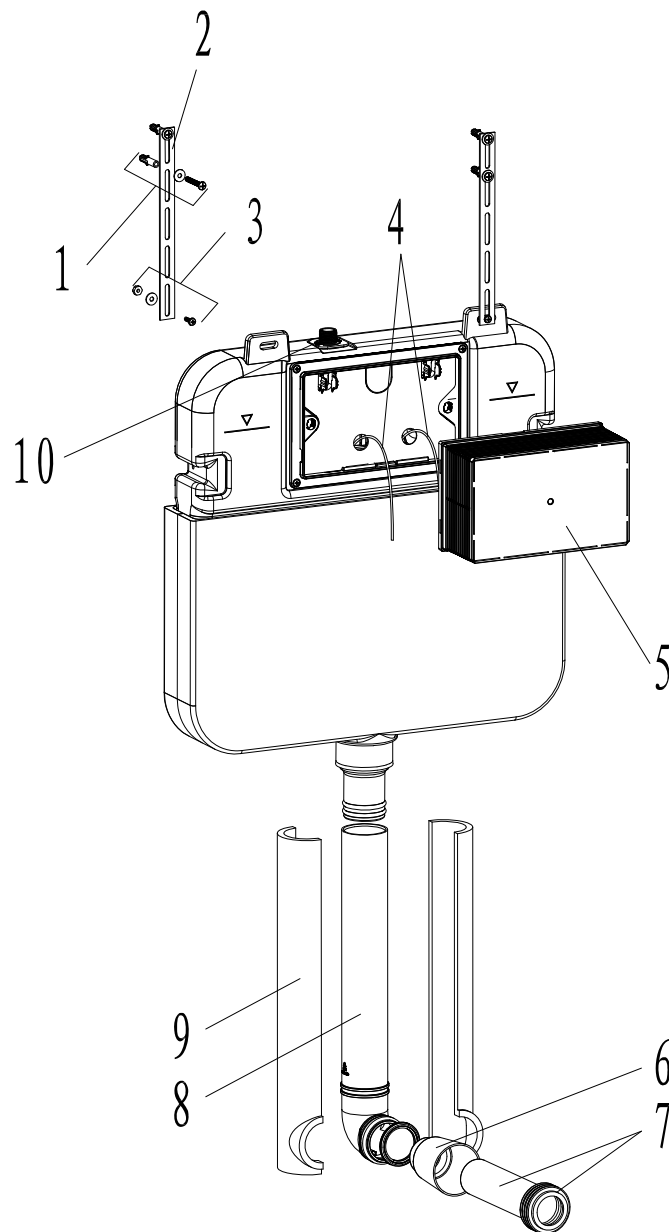


Specifications

SKU
G30035
Watermark License
WMKA20080
Temperature Rating
Min 1°C-Max 75°C
Pressure Rating
Min 150kpa - Max 500kpa

Packaging Includes

*Dimensions are nominal measurements only.



List of main installation accessories

No.	Description	Qty	Function
1	Expansion screw	4	Mounting of iron bracket
2	Iron bracket	2	Fixation of concealed cistern
3	Screws	2	
4	Tube	2	For connecting pneumatic actuator and pneumatic flush valve
5	Plastic holder	1	To reserve space for installation of actuator at wall building To prevent dust and impurities into tank at wall building
6	Piping stopper	1	To reserve space for flushing piping at wall building)
7	Flushing piping	1	To joint cistern into ceramic bowl (cutting in accordance with wall thickness)
8	Connecting tube	1	Water inlet to ceramic bowl
9	Tube cover	2	To protect connecting tube
10	Angle valve	1	Fill valve inlet and shut-off

Important instruction:

1. Please adhere to the following installation instructions. We shall not be responsible for failures and loss that are contributed to improper installation.
2. Please confirm the fixation location of cistern prior to installation and obtain the finished floor surface. Draw FEL on installation wall and follow it as baseline from ZERO (0) level.
3. The instructions have been composed based in the latest product specifications. We reserve the right to make modifications to the packaging and specifications without providing prior notification.

NOTES:

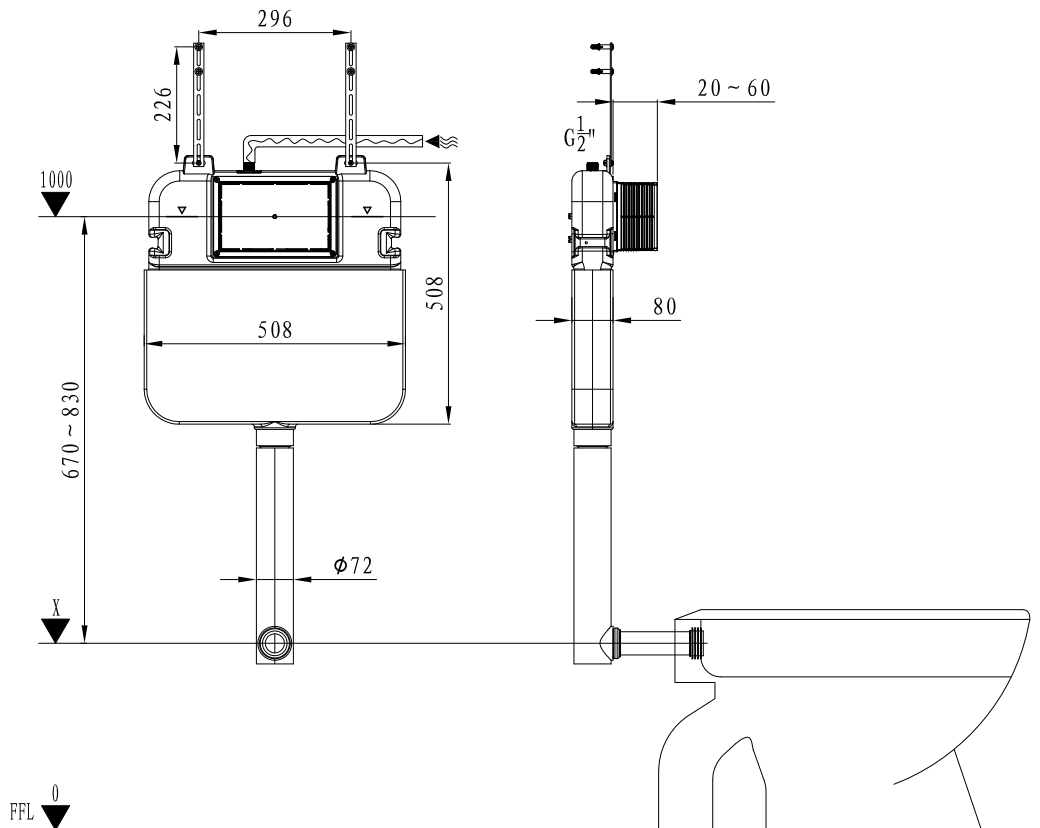
1. Mount before bricks building.
2. All size unit in MM.
3. Follow the material product, should there is an unconformity with drawing.

! FFL₀ = FINISHED FLOOR

1. General dimension and water supply drawing

Water supply to cistern.

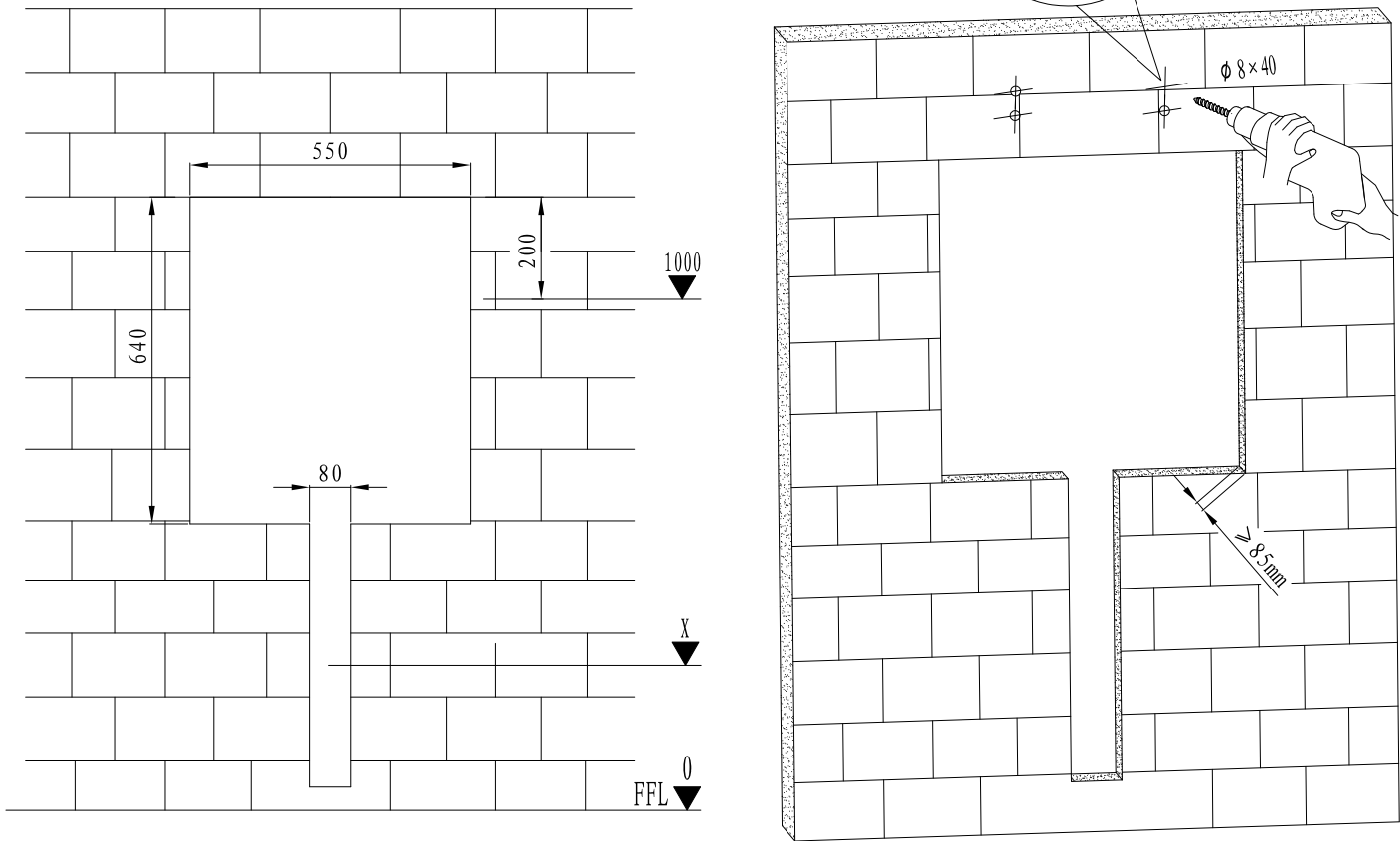
(water supply should be connected to angle valve inside cistern)



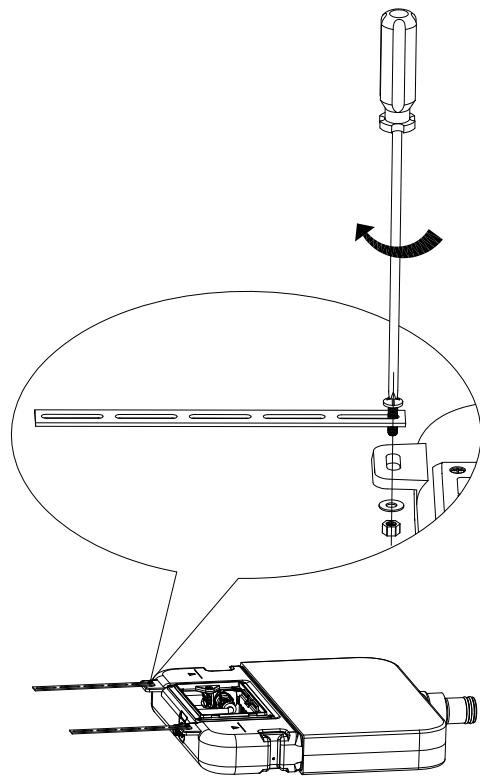
2. Building the mounting wall, drilling and installation of expansion screw

☆Note:

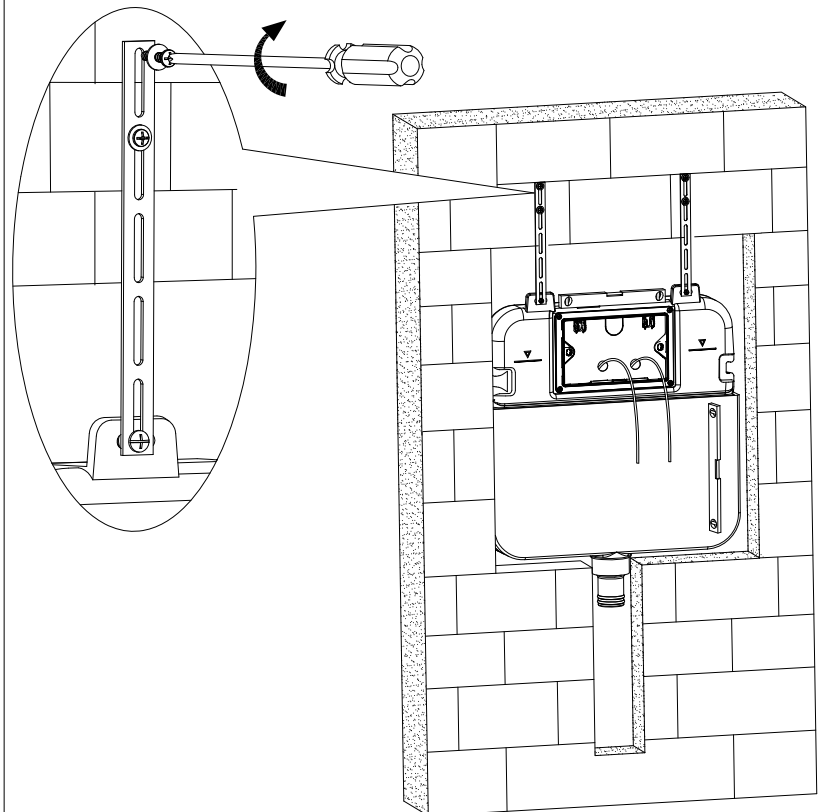
Follow the practical location of iron bracket to drill properly.



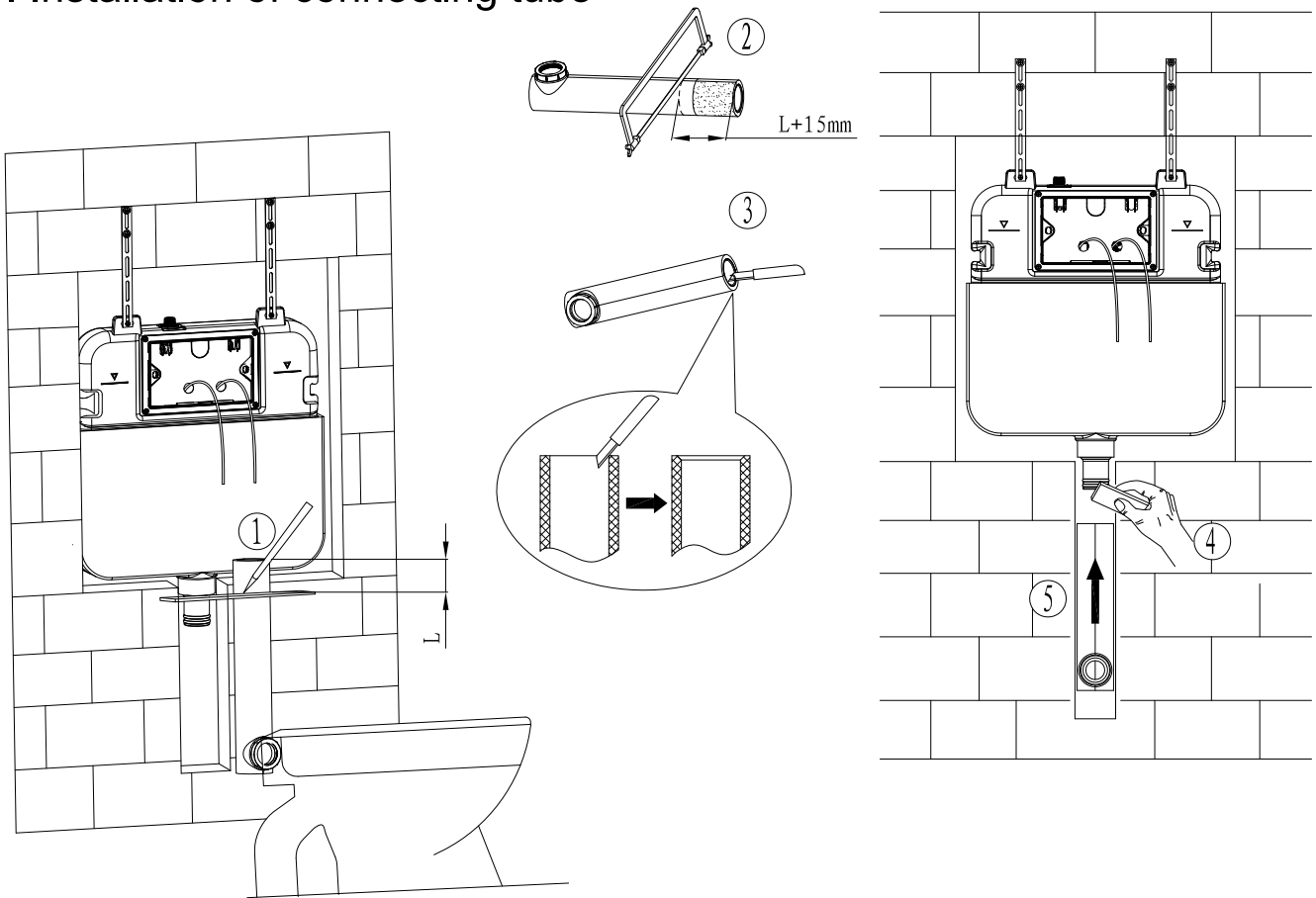
3. Installation of iron bracket



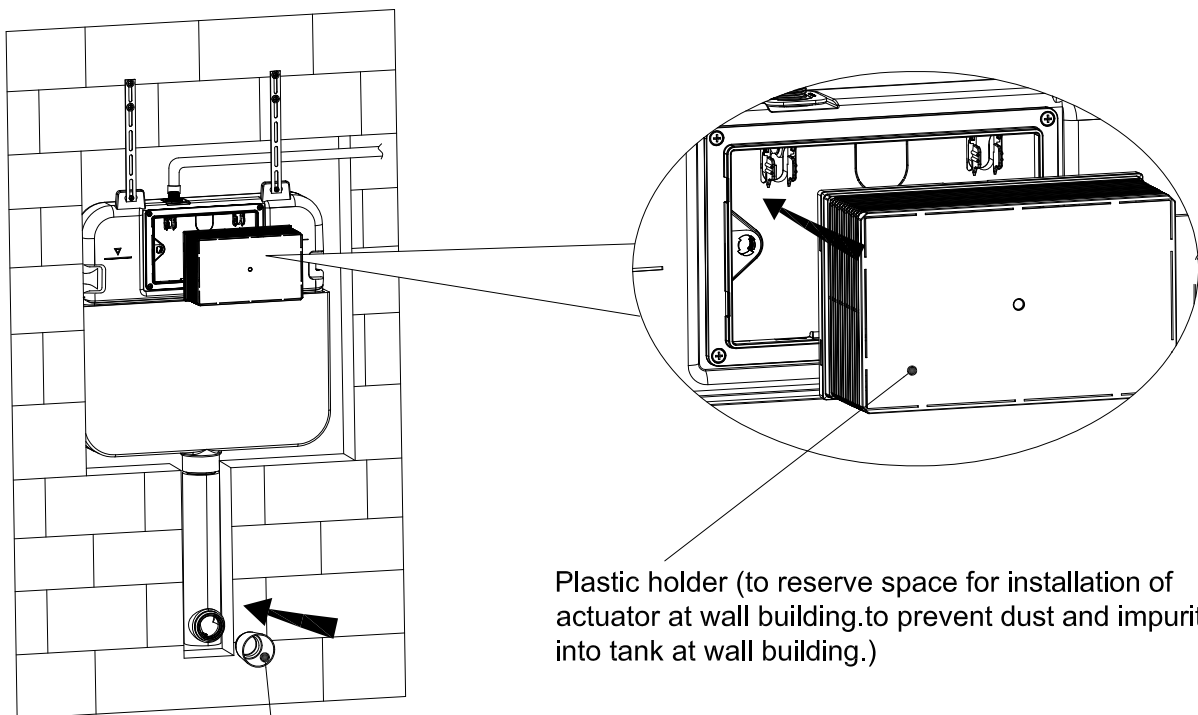
4. Installation of concealed cistern



5. Installation of connecting tube



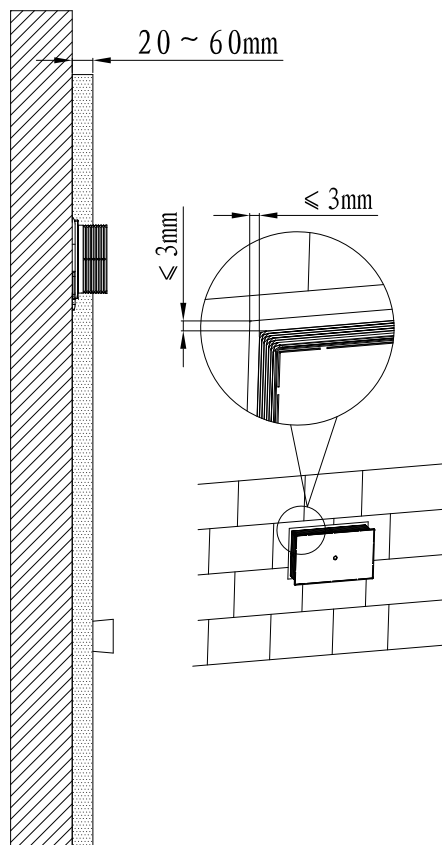
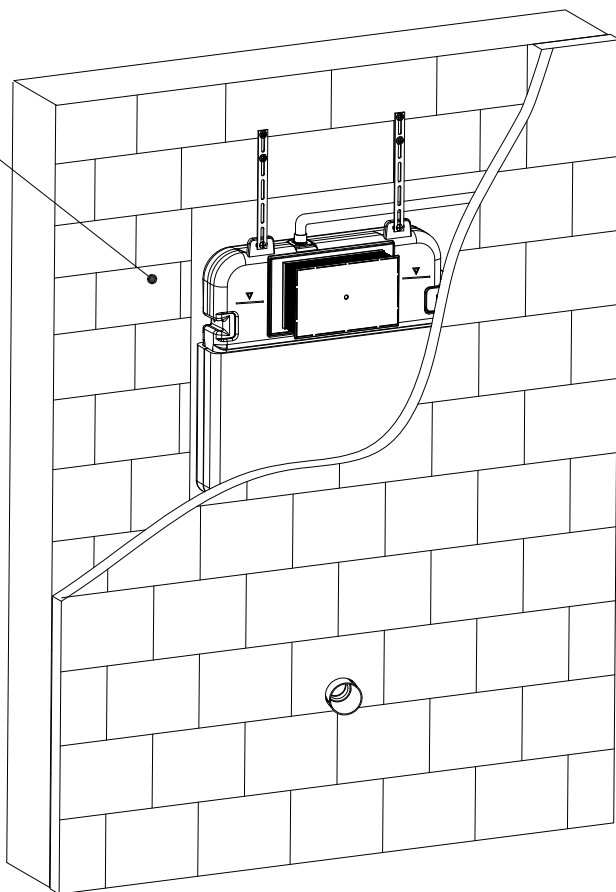
6. Mounting of installation accessories



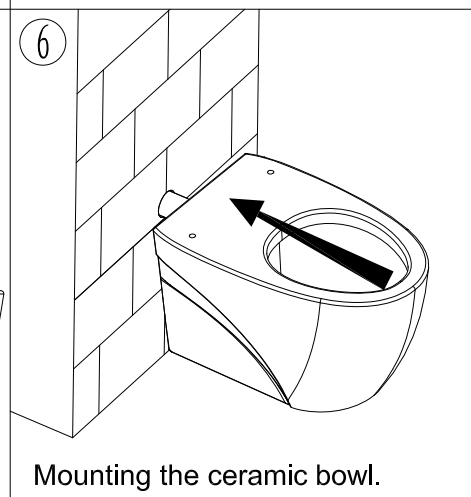
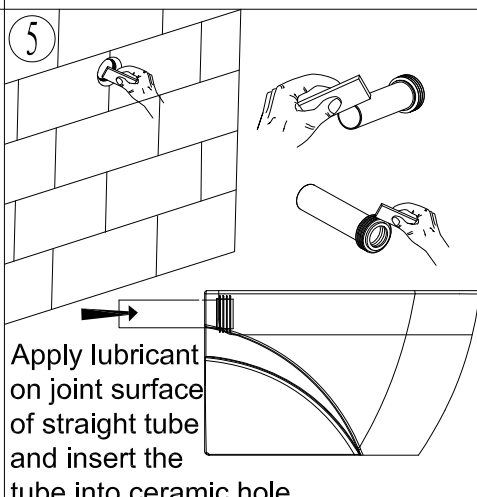
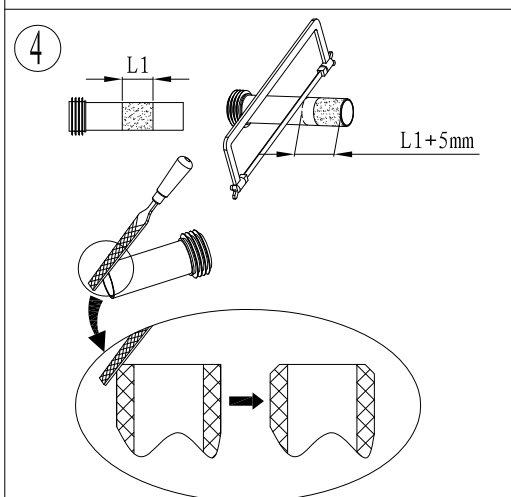
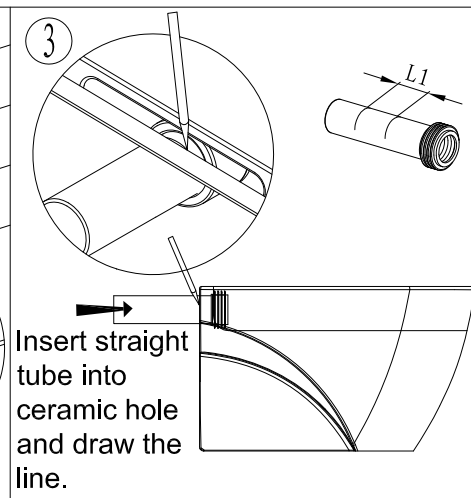
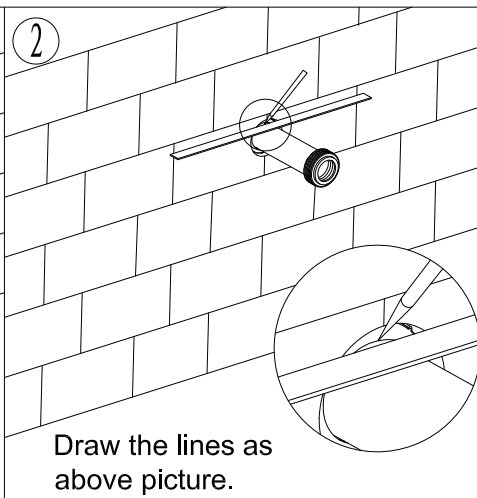
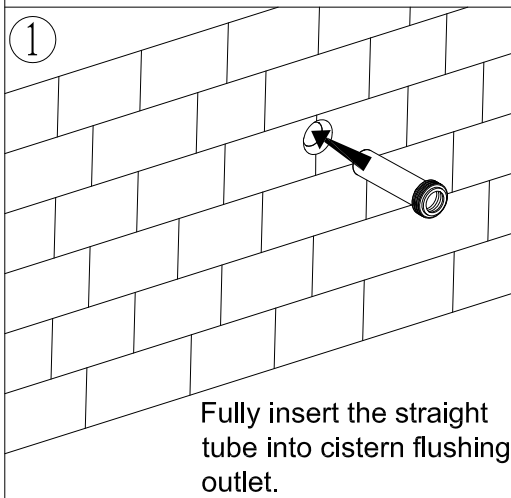
Piping stopper (to reserve space for flushing piping at wall building)

7. Wall thickness range 20-60mm (from mounting wall surface to finished wall)

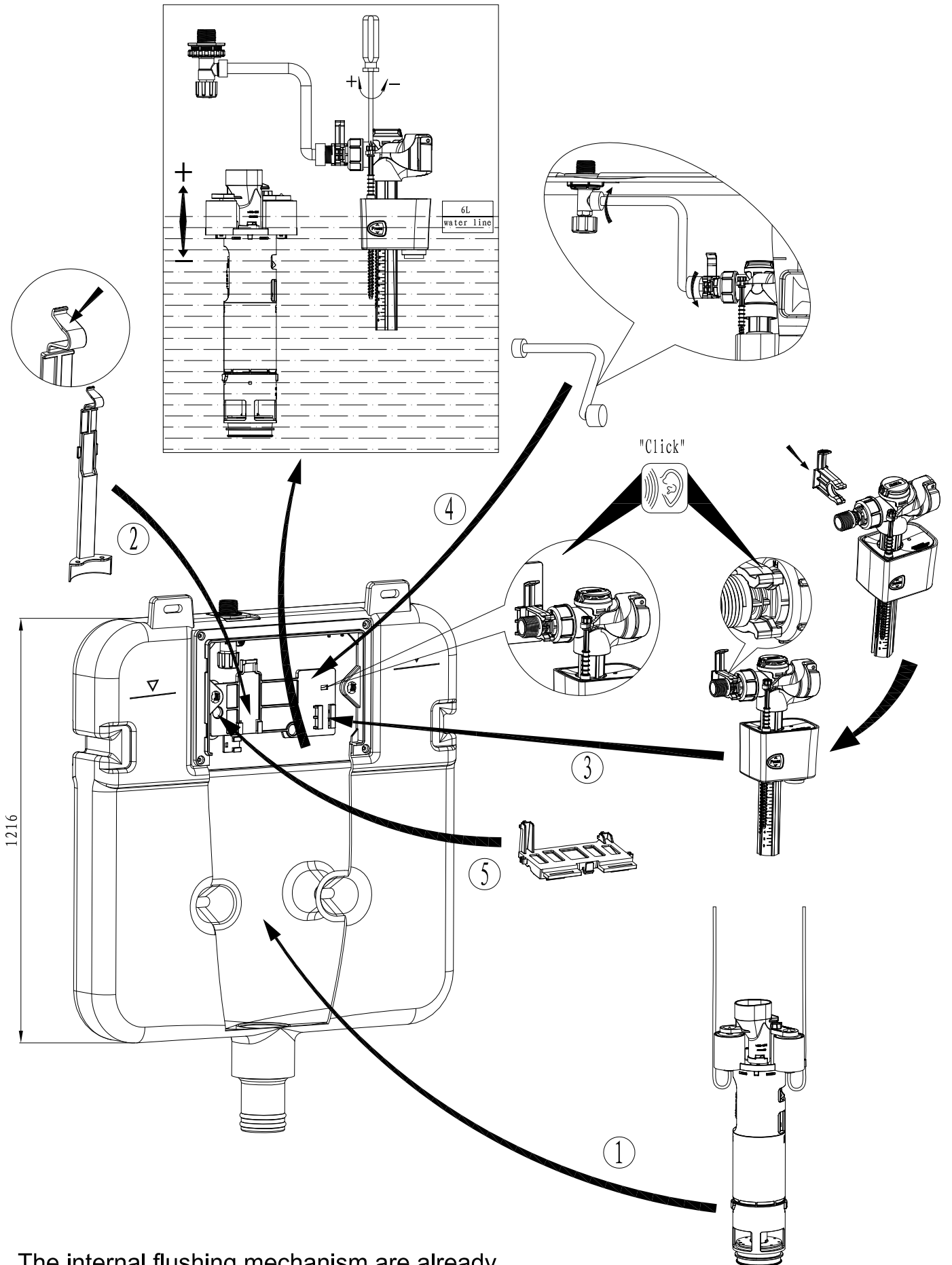
Mounting wall



8. Installation of straight tube



9. Internal flushing mechanism assembly drawing



The internal flushing mechanism are already well-assembled and above picture only for reference.

Nero

info@nerotapware.com.au
nerotapware.com.au
www.nerotapware.com.au

11-13 Buontempo Road
Carrum Downs Vic 3201

