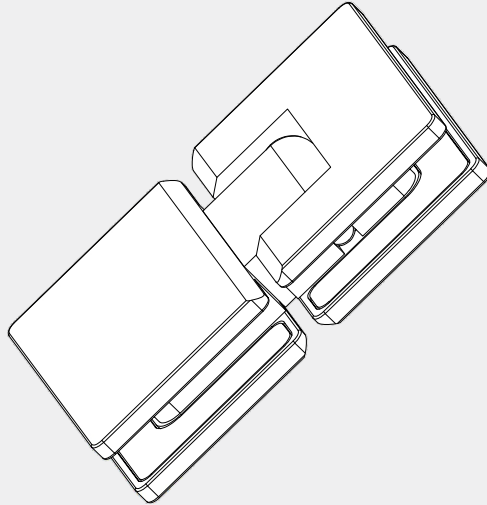


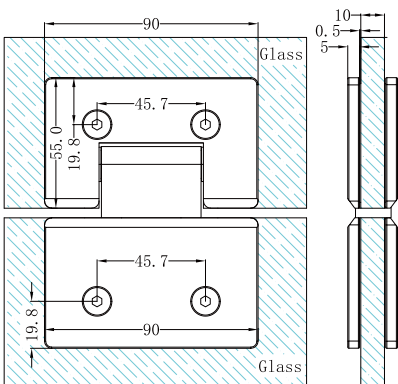
180 Degree Glass To Glass Shower Hinge 10mm Glass

Nero



Versions:202401







Drawing



Specifications

1. Glass to glass hinge.
2. 180 degree glass to glass connection.
3. Suitable for 10mm glass.
4. 35kg max door weight per two hinges.
5. 52.5kg max door weight per three hinges.
6. 800mm maximum door width.
7. Hinges can open in & out 90 degree.
8. Self closing from approximately 30 degree.
9. Manufactured from high quality brass.

Finish & SKU

- | | | |
|---|--|--|
|  Chrome
NRSH102aCH |  Gun Metal
NRSH102aGM |  Brushed Bronze
NRSH102aBZ |
|  Matte Black
NRSH102aMB |  Brushed Gold
NRSH102aBG |  Brushed Nickel
NRSH102aBN |

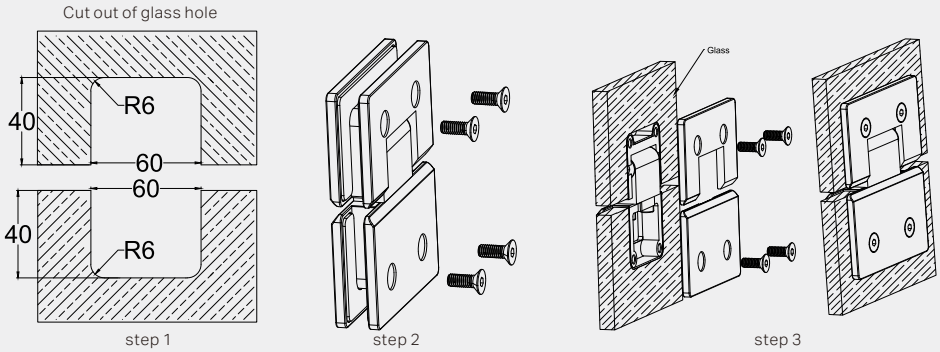
*Dimensions are nominal measurements only.

INSTALLATION STEPS

Step 1: Cut out of the glass hole as below shadow part.

Step 2: Use allen key loosen the screw.

Step 3: Put the hinge insert into cut out of glass hole, then lock the screw.



MAINTENANCE AND CARE

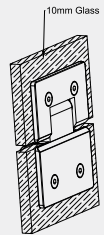
All surfaces should be cleaned with mild liquid detergent or soap and water.

Do not use cream cleaners or citrus based cleaning products, as they are abrasive.

Use of unsuitable cleaning agents may damage the surface.

Any damage caused in this way will not be covered by warranty.

NOTE:



Only use for 10mm glass

Nero

info@nerotapware.com.au
nerotapware.com.au
www.nerotapware.com.au

11-13 Buontempo Road
Carrum Downs Vic 3201

10 YEARS WARRANTY
10
10 YEARS WARRANTY