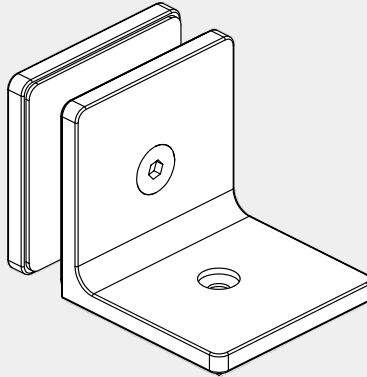


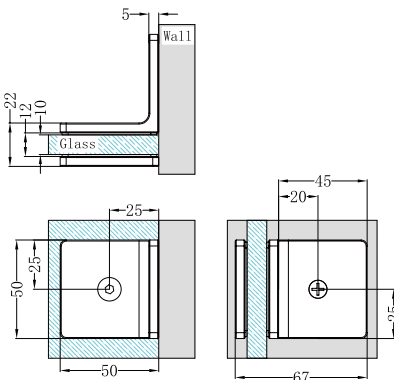
90 Degree Glass To Wall Bracket 10mm Glass

Nero



Versions:202401







Drawing



Specifications

1. 90 degree glass to wall fixing bracket.
2. Use to fixing glass.
3. Suitable for 10mm glass.
4. Manufactured from high quality brass.

Finish & SKU

 Chrome NRSH204aCH	 Gun Metal NRSH204aGM	 Brushed Bronze NRSH204aBZ
 Matte Black NRSH204aMB	 Brushed Gold NRSH204aBG	 Brushed Nickel NRSH204aBN

*Dimensions are nominal measurements only.

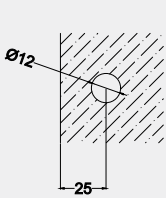
INSTALLATION STEPS

Step 1: Cut out of the glass hole as below shadow part.

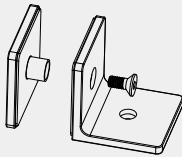
Step 2: Use allen key to loosen the screw.

Step 3: Insert to glass, then lock the screw.

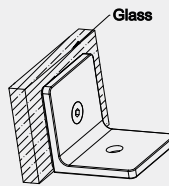
Step 4: Put the plastic plug insert to wall, after put M5 screw use phillips screwdriver to tighten screw.



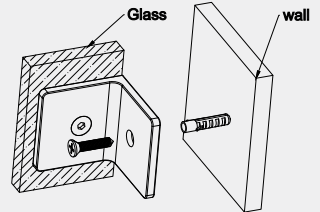
step 1



step 2



step 3



step 4

MAINTENANCE AND CARE

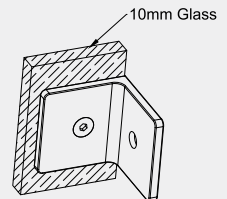
All surfaces should be cleaned with mild liquid detergent or soap and water.

Do not use cream cleaners or citrus based cleaning products, as they are abrasive.

Use of unsuitable cleaning agents may damage the surface.

Any damage caused in this way will not be covered by warranty.

NOTE:



Only use for 10mm glass

Nero