

Warranties

Domestic: Applies to domestic uses and applications of Fienza® products, such as private residential dwellings and retirement villages.

Commercial: Applies to commercial uses and applications of Fienza® products, including, but not limited to: restaurants; hotels; hospitals and healthcare facilities; public amenities; and commercial premises.

Product Component	Domestic Use	Commercial Use
Structure	15 years	7 years
Cartridge	15 years (including labour)	15 years
Finish	5 years replacement (includes labour in first year only)	1 year replacement (includes labour in first year only)

Note: Warranties do not include parts subject to wear and tear such as O-rings, washers and jumper valves.

Warranty Conditions

- Installation has been carried out by a licensed plumber in accordance with AS/NZS 3500 and all applicable local regulations and plumbing codes.
- All maintenance and adjustments to the product after the installation have been carried out by a licensed plumber.
- Cleaning and care instructions detailed in this document have been strictly adhered to.
- Proof of purchase is required for warranty claims.

Warranty Limitations

To the extent permitted under the Trade Practices Act and other relevant legislation, Fienza's liability is limited to: the cost of replacing the goods; or, the cost of obtaining equivalent goods; or, the cost of having the goods repaired. Fienza is not responsible for any lack of operation or performance of goods (or any loss or damage) where goods are used or adapted for use with other goods not supplied by Fienza.

It is the responsibility of the customer and installer before installation to ensure that all components are correct and free of obvious visible faults. Fienza is not responsible for the labour and rectification costs incurred in this circumstance.

Conditions for On-Site Warranty Service Calls

Fienza will charge a service fee for each visit to an installation by its technician where it is determined that the fault is due to poorly executed or unlicensed installation work or where the product is not a genuine Fienza product or where the product is outside the warranty period. This may be paid in advance by credit card over the phone to a Fienza technician attending the site and will be refunded if the Fienza product is found to be at fault.

PLEASE LEAVE THIS MANUAL WITH THE END USER

For more information, contact us or visit our website:

P: (07) 3490 6700

E: contactus@fienza.com.au

W: fienza.com.au

Updated: 03/07/20

fienza®

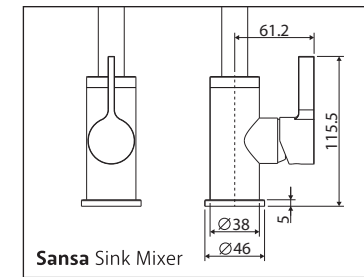
INSTALLATION GUIDE

Kaya/Sansa

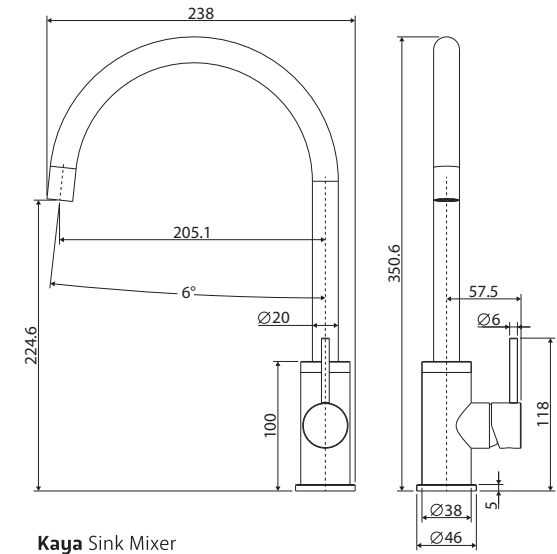
SINK MIXERS

Kaya 228105

Sansa 229105



Sansa Sink Mixer



Kaya Sink Mixer

IMPORTANT: Please read all of the instructions before installation. Check the product thoroughly for damage. Installation is acceptance of goods supplied and will void warranty. This product is pre-assembled. Do not disassemble, as this may void the warranty.

Specifications

Please refer to fienza.com.au for the latest product specifications before installing.

Mixer Type	Progressive, 25 mm cartridge
Operating Pressure	Min: 150 kPa / 1.5 bar Max: 500 kPa / 5 bar Optimum: 350 kPa / 3.5 bar
Operating Temperature	Hot: Max 80°C Cold: Min. 5°C
Inlet Connections	1/2" BSPP
Suitable Hot Water Units	Storage tank and continuous flow only. Not suitable for gravity feed.
WELS Rating	6 Star rated, 4.5L/min

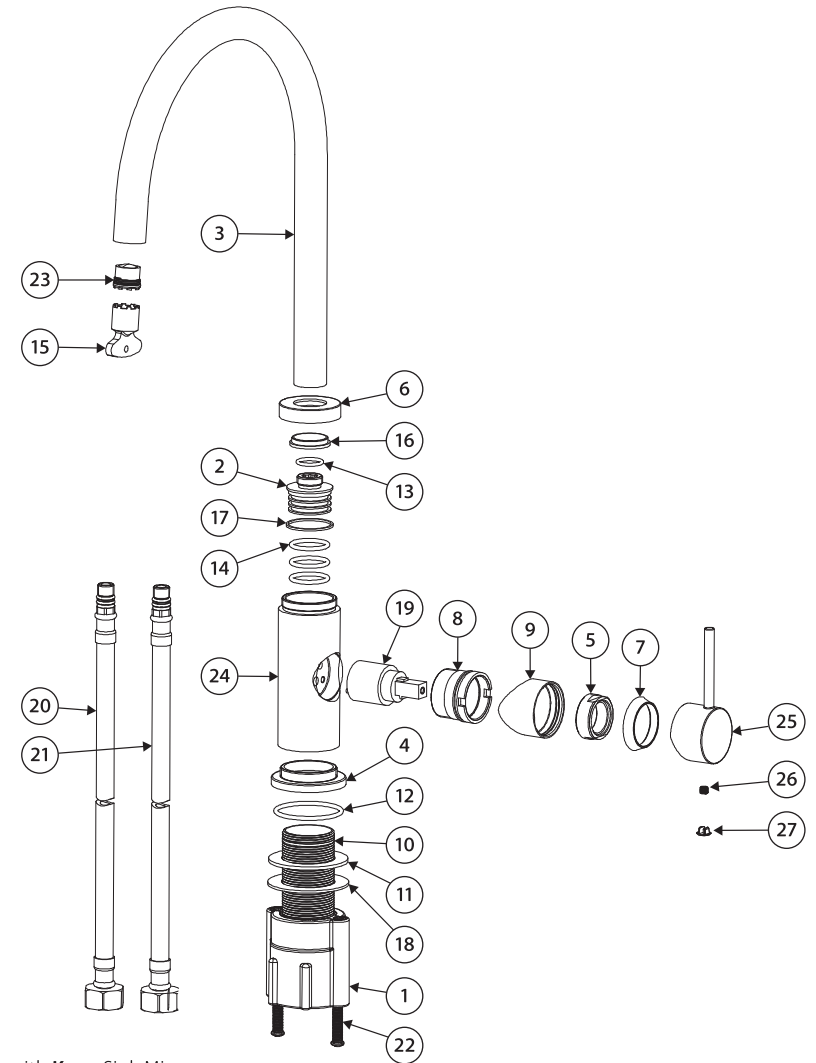
General Information

- This product must be installed by a qualified licensed plumber in accordance with AS/NZS 3500 and all applicable local regulations and plumbing codes.
- All pipe work must be thoroughly flushed prior to installation.
- Do not remove the ceramic cartridge from the mixer when installing.
- After installation all hoses and connections must be checked for leaks.
- It is the responsibility of the installer to ensure a waterproof seal is achieved between the product and mounting surface.

Installation

IMPORTANT: Before commencing installation, turn off the water supply. While not essential, we recommend fitting isolation valves to both the hot and cold-water supply.

1. Remove product from packaging and check for damages. If the product is damaged in any way, do not install and return to the store where the item was purchased.
2. The mounting surface requires a single 35 mm diameter hole.
3. Unscrew the mounting stud assembly (10, 11, 18, 1 and 22) and slide over the male end of the two flexible inlet hoses (20 and 21). Ensure the mounting stud assembly remains upright.
4. Ensure the O-ring (12) is tightly inserted into the base ring (4).
5. Place the mixer into the mounting surface hole.
6. From underneath the mounting surface, screw in the two flexible inlet hoses (20 and 21): red ringed hose on the left and blue ringed hose on the right (to match hot and cold tap markings). Ensure the O-rings are greased and tighten with a spanner.
7. Screw the mounting stud assembly (10, 11 and 18) into the base of the mixer body (24).
8. Screw the black mounting nut (1) by hand to secure the mixer in position.
9. Position the mixer into its final position as desired.
10. Tighten the mounting screws (22) with a screwdriver to securely mount the mixer to the top.
11. Connect the ½" BSP female end of the flexible inlet hoses (20 and 21) to the supplies: red ringed hose to the hot water supply and blue ringed hose to the cold water supply.
12. Fit the handle (25) onto the cartridge (19).
13. Use the allen key provided and screw the grub screw (26) into the back of the handle to secure. Fit the hole cap (27).
14. Turn on the water supply and check carefully for leaks. Re-tighten fittings if necessary.



Drawing shown with **Kaya** Sink Mixer

Cleaning & Care

We recommend weekly cleaning with mild soapy water and a microfibre cloth. In highly polluted or coastal locations we recommend cleaning 2-3 times per week. Please note that colour tapware requires more frequent cleaning than chrome tapware.

- Never use harsh detergents, citrus-based cleaners or abrasive cleaners, as these will scratch the surface. Use of unsuitable cleaners may damage the surface and will not be covered by warranty.
- Where your tapware remains dry in use, a non-abrasive soft cloth can be used to remove surface dust.
- Use of wax-based furniture cream should be avoided as these can result in a build-up of deposits which could detract from the appearance.
- Do not use undue pressure and wipe in one direction only.

1	Mounting Nut	10	Mounting Stud	19	25 mm Cartridge
2	Connector	11	Rubber Gasket	20	Flexible Inlet Hose
3	Spout	12	O-Ring	21	Flexible Inlet Hose
4	Base Ring	13	O-Ring	22	Mounting Screw
5	Lock Nut	14	O-Ring	23	Aerator
6	Retaining Nut	15	Aerator Key	24	Body
7	Retaining Nut	16	Cover	25	Handle
8	Sleeve	17	Ring	26	Grub Screw
9	Sleeve	18	Washer	27	Hole Cap