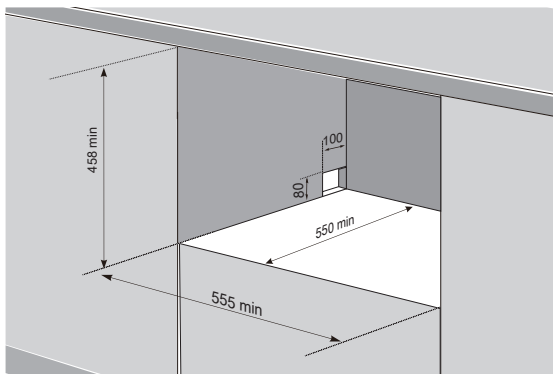
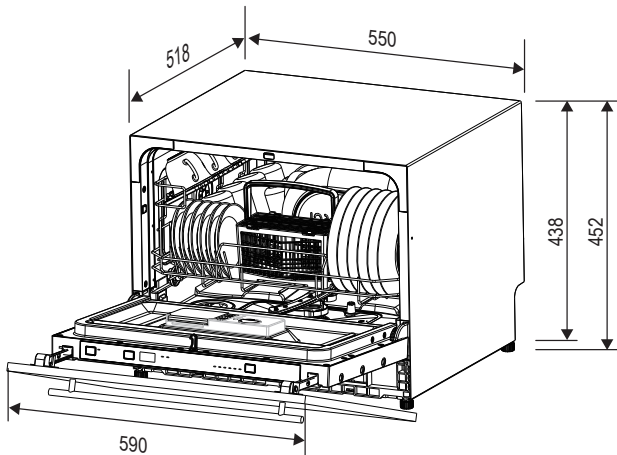


Fully Integrated 45cm Dishwasher



Model: DW4531

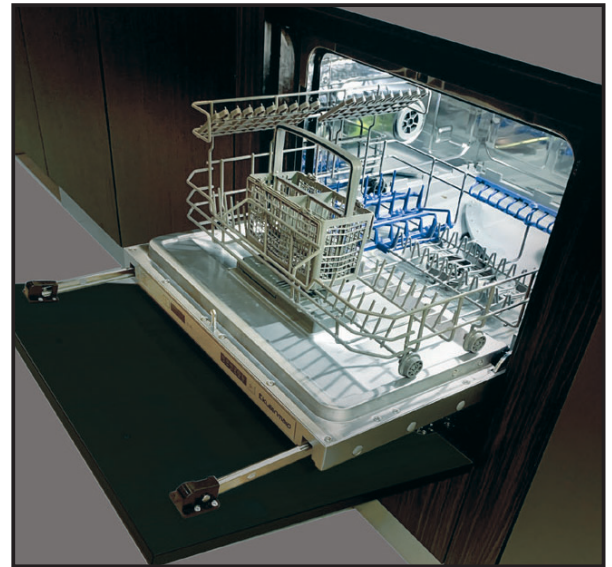
- 6 place settings
- Whisper quiet 51 dbA
- Aqua Stop, Antioverflow and Antiflood Protection
- 6 wash functions
- Up to 24 hour delayed start
- Illuminated rinse aid low level indicators
- Compatible with dishwasher tablets and powder
- Ideal for Caravans and Boats



Door panel not included and is for illustration purposes only.

These dimensions are provided as a general guide only and should not be used for designing or constructing cabinetry or for installation.

To obtain full installation instructions for this appliance go to kleenmaid.com.au and click on User Care Manuals, top right.



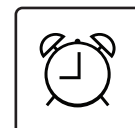
Aqua Stop



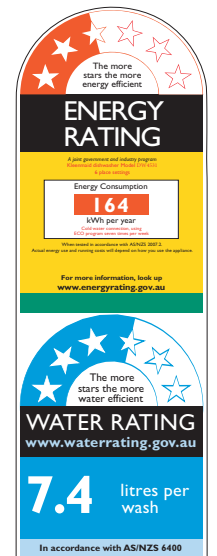
Whisper Quiet



6 place settings



Delayed start



I/N: 0453710

J13010_01

Level 2, 204 Botany Road, Alexandria NSW, 2015
P: 02 9310 1207 • E: support@kleenmaid.com.au
www.kleenmaid.com.au

kleenmaid
The best you can own

Built-In Installation

Step 1: Cabinetry Niche

Prepare the cabinetry niche in accordance with the below diagram Fig 1.1.

Note:

A should be equal to $D + 9.5$

B should be equal to $C + 6$

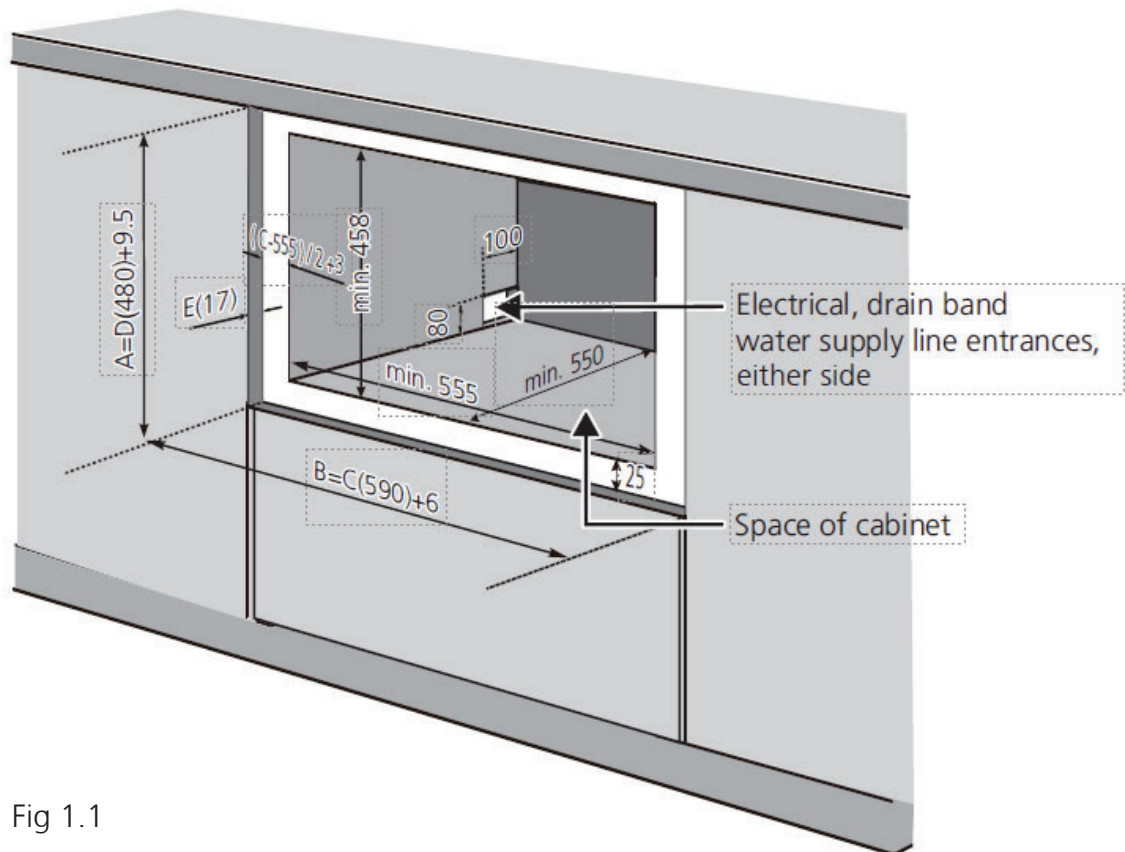


Fig 1.1

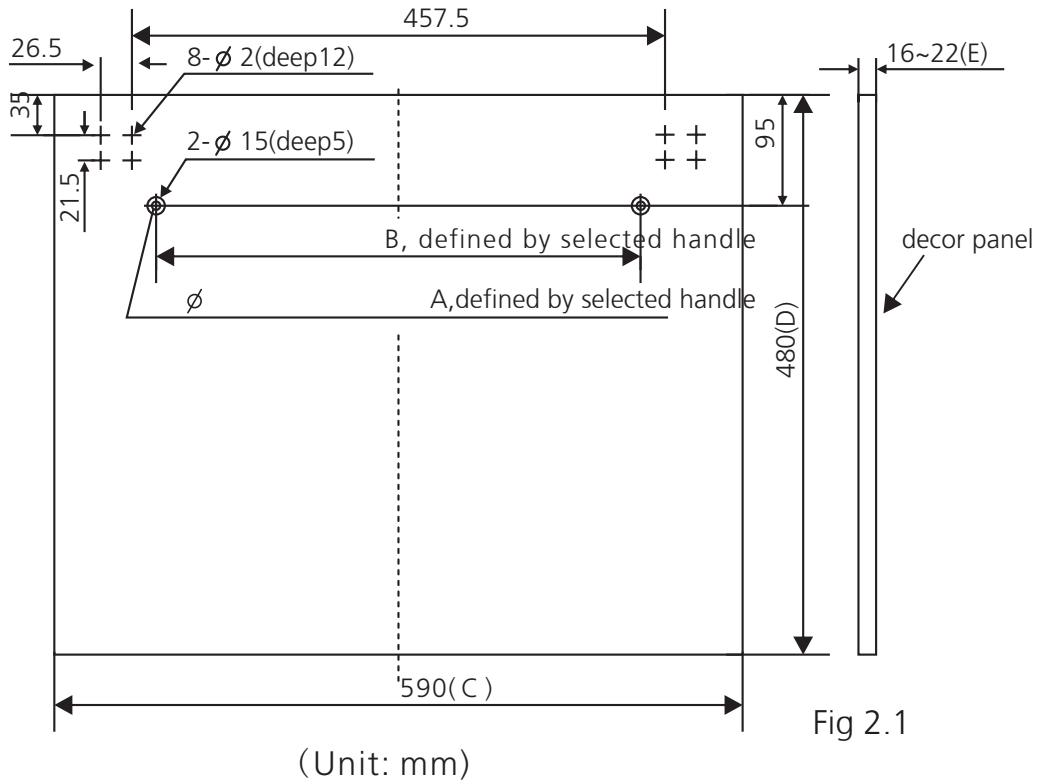
Step 2: Decor panel's dimensions and installation

Prepare the decor panel in accordance with below diagram Fig 2.1

Note:

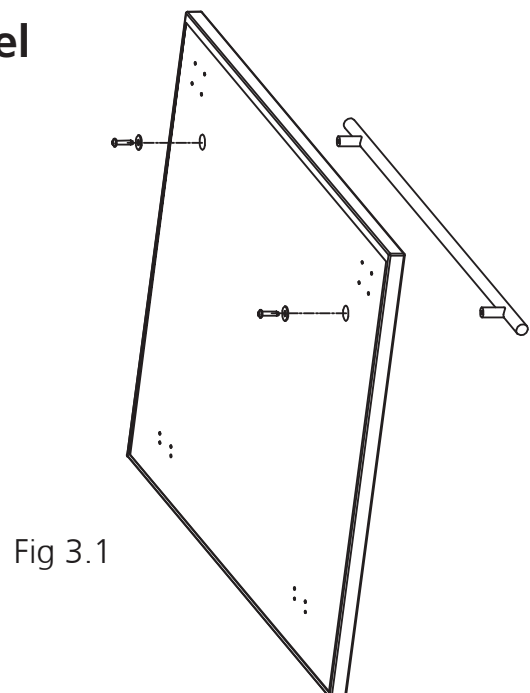
A & B are defined by the selected handle.

Dimensions for C, D & E should be specified by the installer, with reference to the recommended dimensions in the diagram.



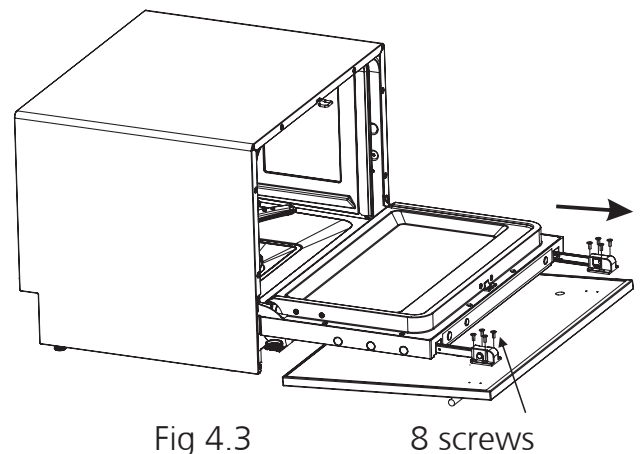
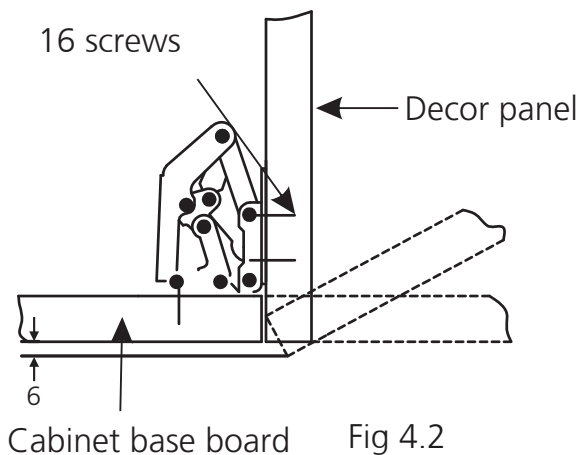
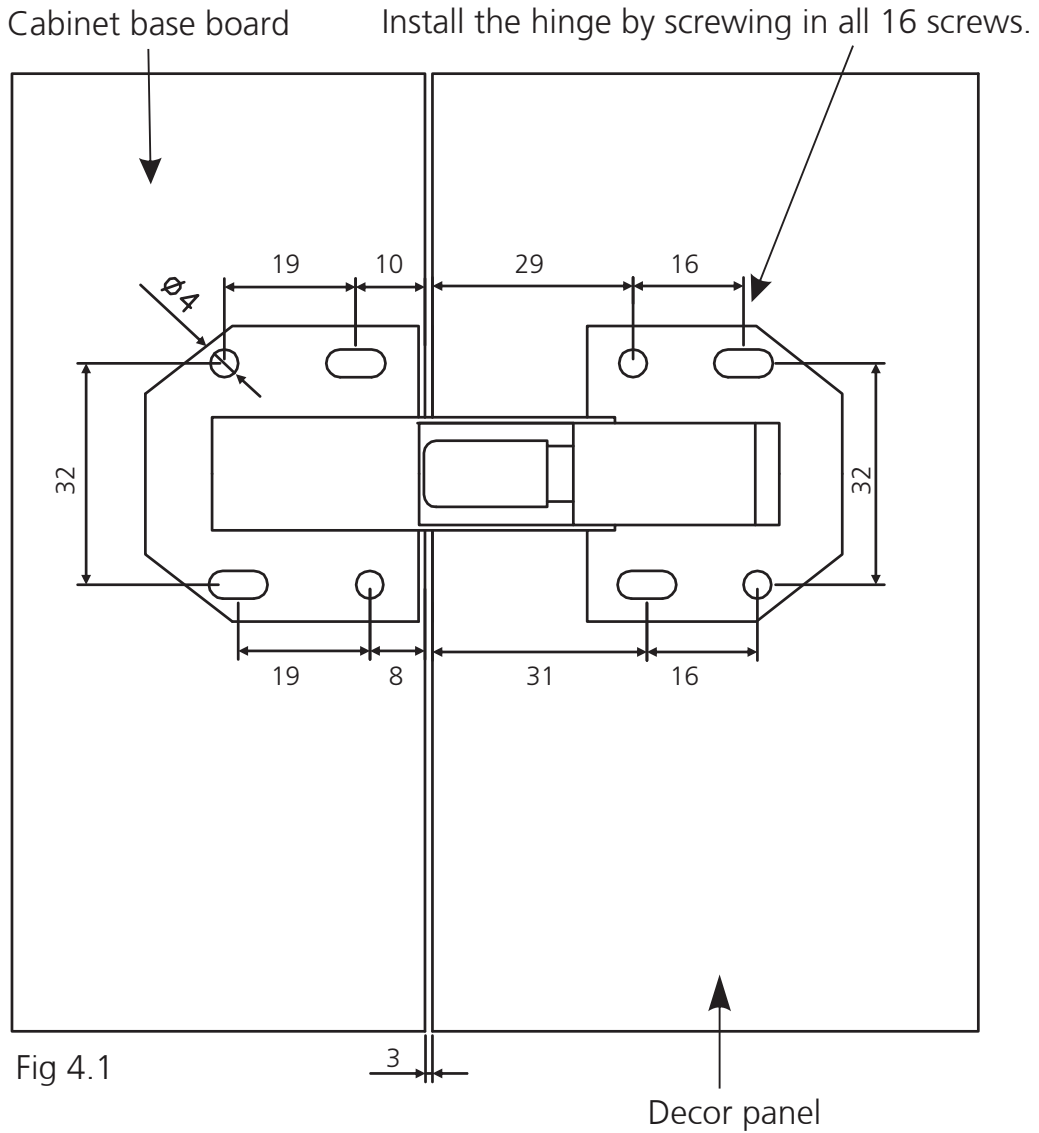
Step 3: Assemble the decor panel

WARNING: Installer must ensure that the depth/thickness of the selected decor panel is compatible with the screws used to mount the panel, whether supplied with the appliance or by the installer. See Fig 3.1 Damage caused by failure to observe this warning is not covered by the manufacturer's warranty.



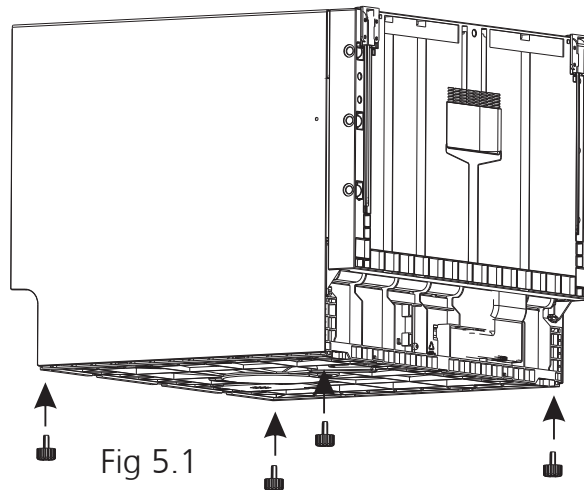
Step 4:

Install the door on the dishwasher, as shown in Figures 4.1- 4.3 below. First attach the hinge to the baseboard and the decor panel by inserting all 16 screws. Then fully extend the two glide rails from the appliance door, and fix them to the decor panel using all 8 screws.



Step 5: Install the height adjustable feet into the base

Install the height adjustable feet into the base as shown in Fig 5.1 below.



Step 6: Install the dishwasher into the niche

Install the dishwasher partially, not fully, into the niche as shown in Fig 6.1 below. Turn the feet to adjust height, ensuring the base of the dishwasher aligns with the base of niche. See Fig 6.2. Push the dishwasher fully into position.

