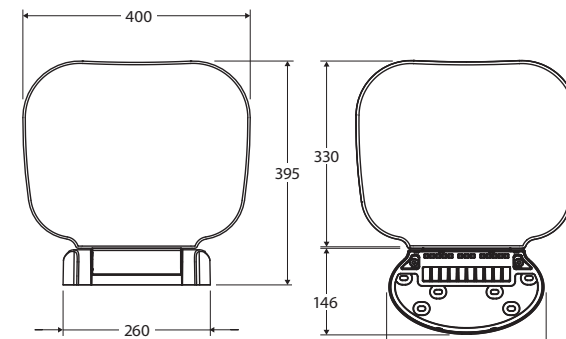
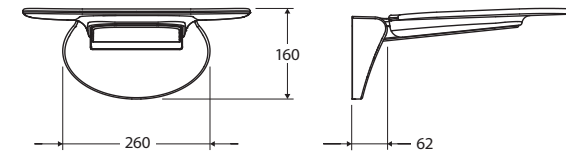


Folding SHOWER SEAT

Features

- Designed for independent living and aged care
- Sleek and modern ergonomic design
- Wall mounted
- Folds up against the wall to save space
- Made from UF with soft close hinges
- Must be installed into wall studs (fixings included)
- Maximum load rating: 150 kg



TOP

UNDERSIDE

Available in



Chrome Base,
Satin White Seat

FAL006



Matte Black Base,
Satin Black Seat

FAL006B



Cleaning & Care

- Regularly clean with mild soapy water using a microfibre cloth.
- In highly polluted or coastal locations, we recommend cleaning 2-3 times per week.
- Do not use harsh detergents, bleach, cream cleaners or citrus based cleaners. These substances are abrasive and will damage the surface.
- Do not use undue pressure and wipe in one direction only.

We aim to ensure that specifications are correct at the time of publication. All measurements are shown in millimetres. Always use measurements of actual product received for final specification as the technical drawing may contain differences. Due to printing limitations, physical colour may vary from the image shown. Fienza reserves the right to make modifications without prior notice.