

Basin Pop Up Plug & Waste 32mm/40mm x 50mm with Hair Catcher Chrome.

Product Code: 181534



Product Specifications.

Colour	Chrome	Suitable for use with	Basins with and without overflow
Warranty	5 years - plug and waste, chrome, PVD and electroplate finishes, fittings 1 year - seals and labour	Inclusions	Plug & Waste Installation instructions
Finish	Electroplating	Maintenance & Care	Clean using a soft sponge or cloth with warm soapy water or detergent. Never use abrasive brushes or scourer pads to clean products. Rinse with water immediately after using any cleaning solution
Material	Brass		
Function	Pop up with removable centre hair catcher		
Housing length	50mm		

For more information call 1800 BATHROOM (1800 228 476) or visit raymor.com.au

© Registered trademark of Tradelink. All dimensions are in millimetres. Dimensions are approximate and should be checked against the physical product before installation. Changes may be made to this specification without notice due to our commitment to continual improvement. See raymor.com.au for full warranty details.

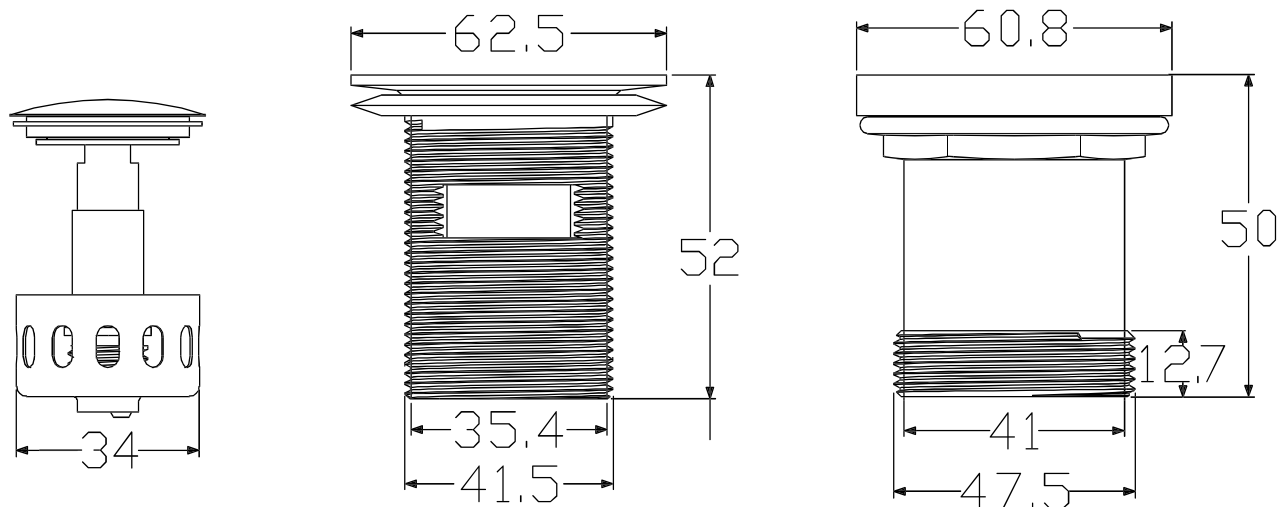
All dimensions in mm.

Version 1

raymor

Basin Pop Up Plug & Waste 32mm/40mm x 50mm with Hair Catcher Chrome.

Product Code: 181534



For more information call 1800 BATHROOM (1800 228 476) or visit raymor.com.au

© Registered trademark of Tradelink. All dimensions are in millimetres. Dimensions are approximate and should be checked against the physical product before installation. Changes may be made to this specification without notice due to our commitment to continual improvement. See raymor.com.au for full warranty details.

All dimensions in mm.

Version 1

raymor