

Aulic

# AULIC

DIAMOND  
COLLECTION

## INSTALLATION INSTRUCTION

CARE, MAINTENANCE AND WARRANTY



### IMPORTANT

*It is the responsibility of the installer to make any adjustments to doors / drawers after installation if required. There may have been some movement in transportation and installation which causes doors/drawers to become unaligned.*

*Prior to installation it is important to unpackage & inspect your products to ensure no damage has occurred in transit and that the product IS CORRECT. If damages has occurred, or a visible defect exists, do not proceed with installation and contact supplier IMMEDIATELY.*

NO CLAIMS FOR DAMAGES / DEFECTS WILL BE RECOGNIZED AFTER INSTALLATION.

## INSTALLATION CHECKLIST (DIAMOND COLLECTION)

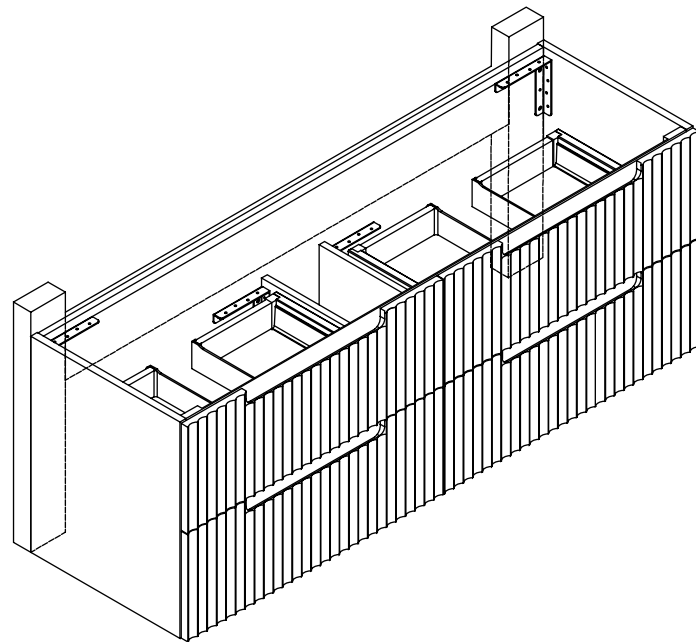
### 1 Check Products for Any Damages

Prior to installation it is important to unpackage & inspect your products to ensure no damage has occurred in transit and that the product IS CORRECT. If damages has occurred, or a visible defect exists, do not proceed with installation and contact supplier IMMEDIATELY.

**No claims for damages/defects will be recognized after installation.**

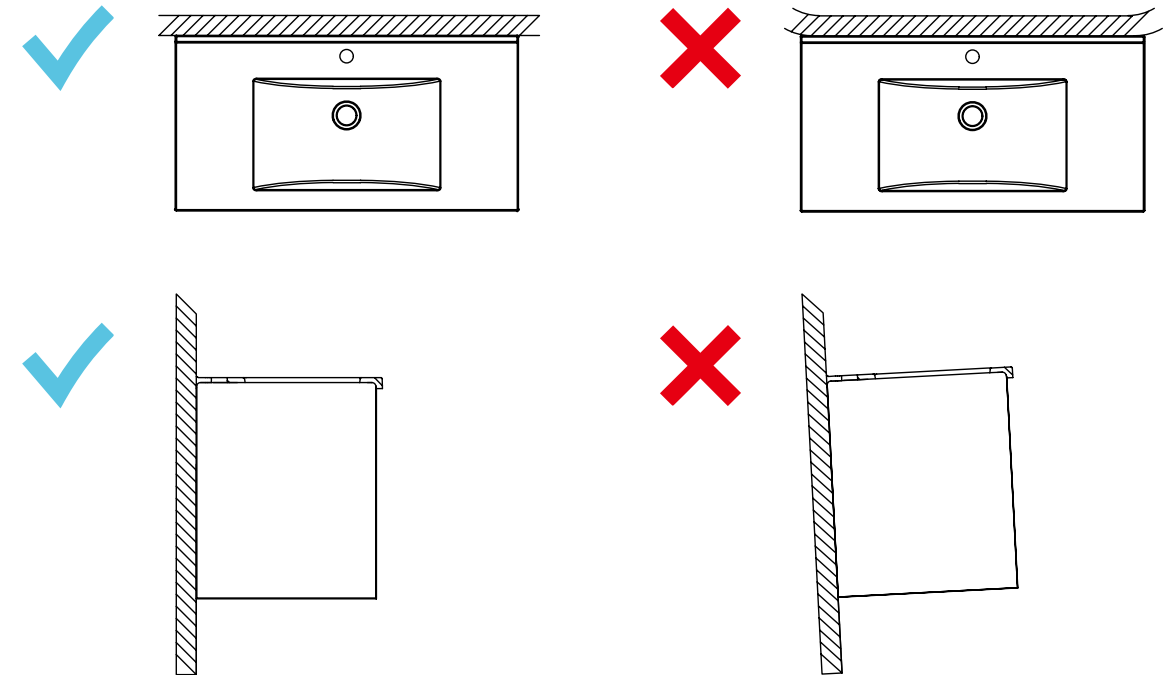
### 2 Check Support Beam

Wall hung furniture & basins require fixing to a support beam fitted between the studs to give a solid wall backing to attach the vanity to.



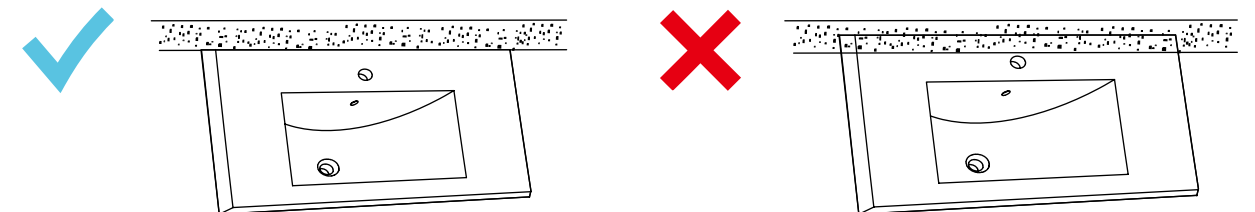
### 3 Check Your Wall is Flat and Plumb

Before installing, check that your wall is flat and plumb. If not, the cabinet will need to be packed out so that sits level, otherwise the cabinet may twist, causing doors and drawers to fall out of alignment and not function properly.



## IMPORTANT TIPS

- 1 The cabinet should be installed over the top of a tiled wall with adequate clearance for doors and drawers to open. Aulic do not recommend tiling in furniture due to moisture and mould build up which can damage the material and void the warranty.

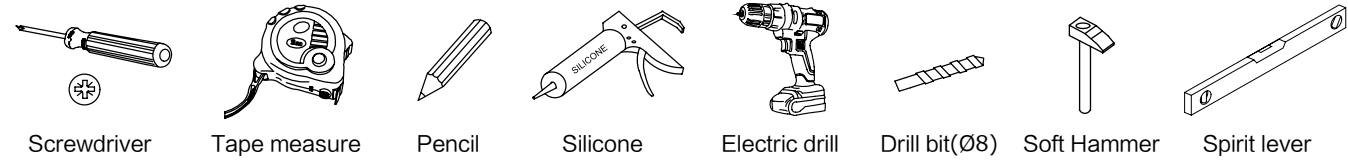


- 2 It is recommended that vanities are installed at least 300mm away from wet areas such as showers and baths.
- 3 It is the responsibility of the installer to make any adjustments to doors / drawers after installation if required. There may have been some movement in transportation and installation which causes doors/drawers to become unaligned.

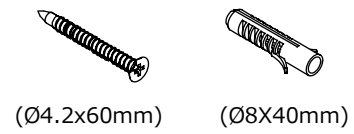


# INSTALLATION INSTRUCTION (DIAMOND COLLECTION)

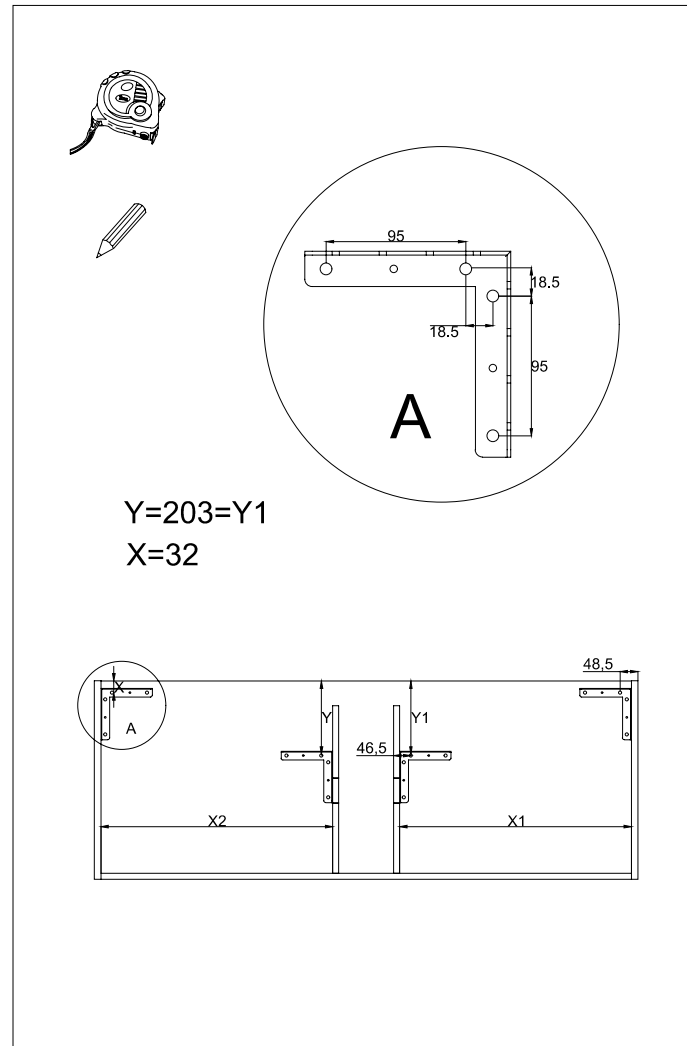
## Required Tools



## Supplied Spare Part

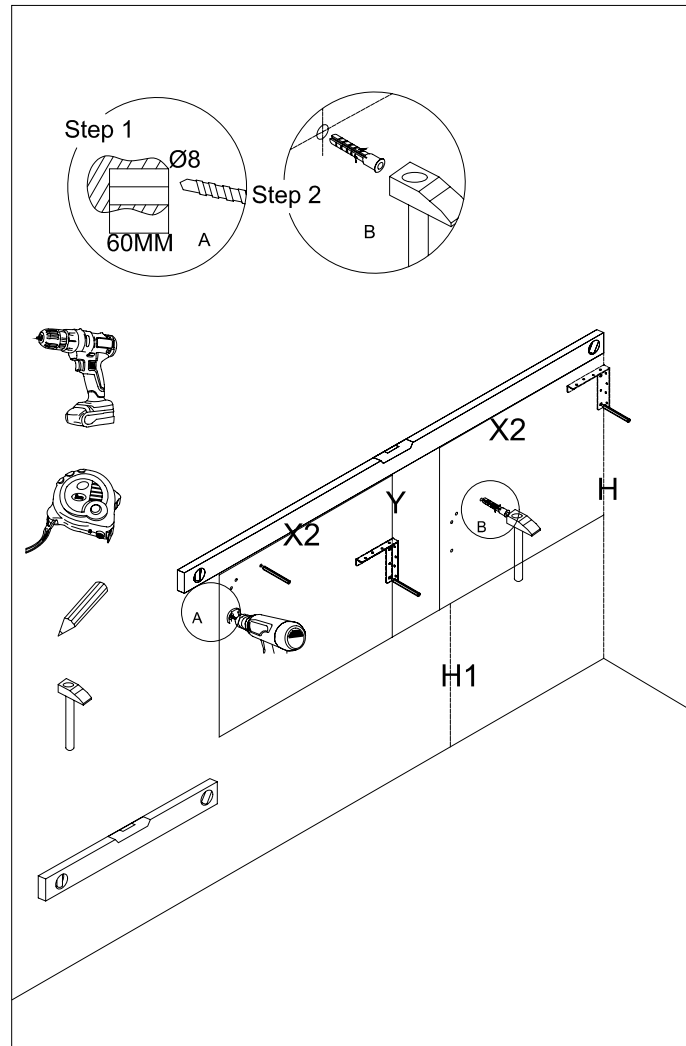


### Step 1



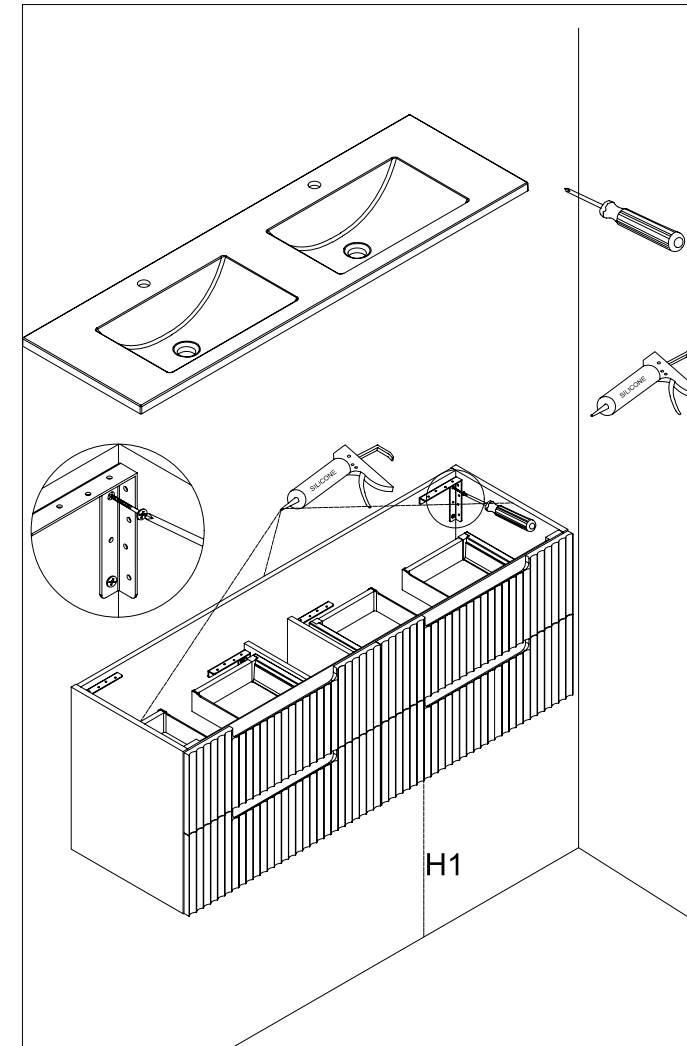
Y=203=Y1  
X=32

### Step 2

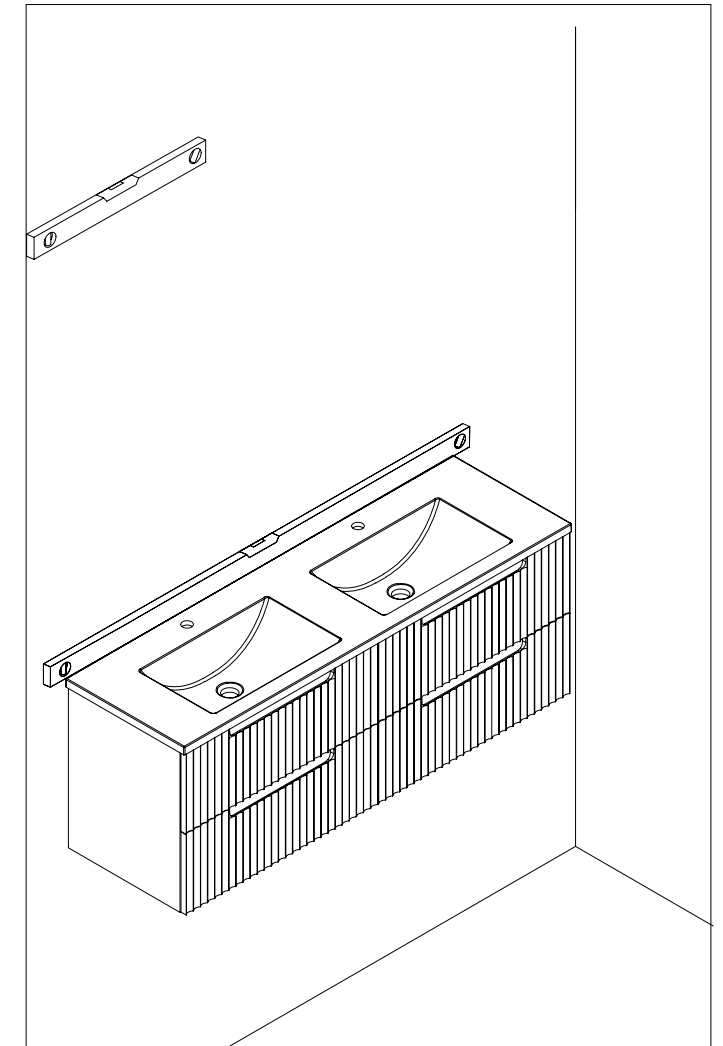


# INSTALLATION INSTRUCTION (DIAMOND COLLECTION)

### Step 3



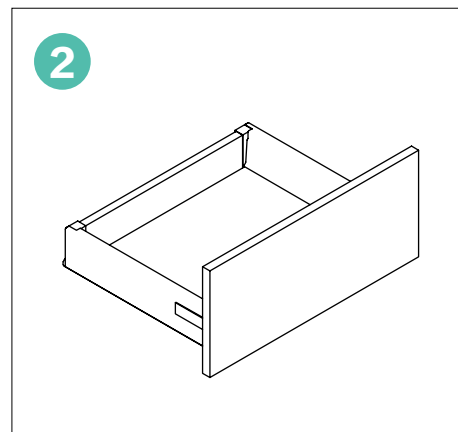
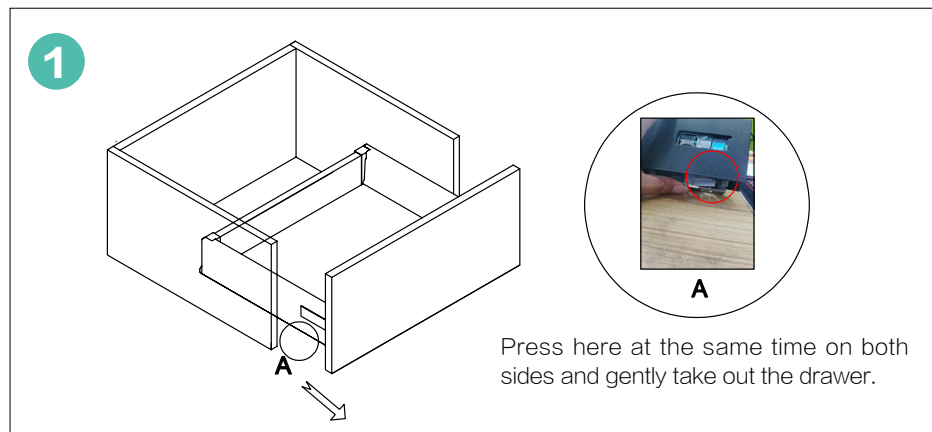
### Step 4



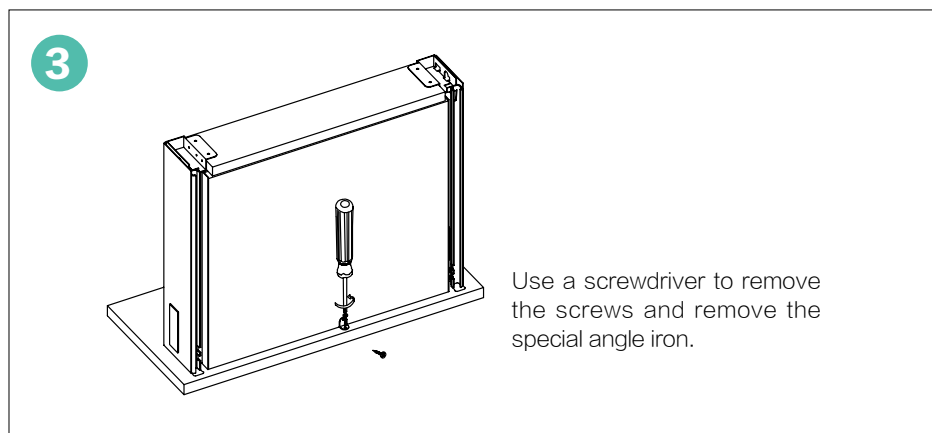


## REMOVE DRAWERS ( HETTICH INNO TECH ATIRA PREMIUM RUNNER )

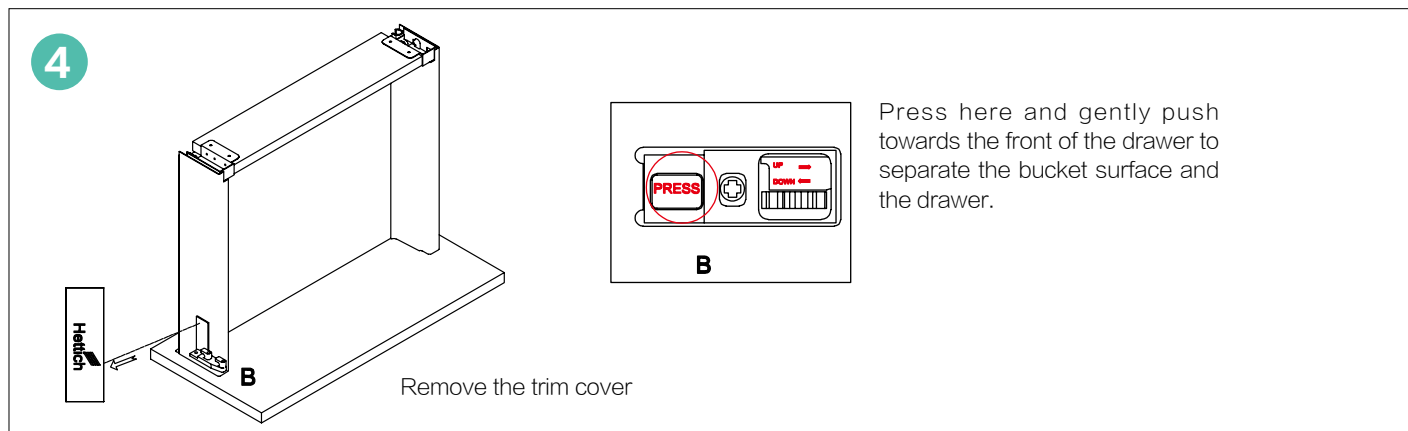
1-2. Pull out the drawer. Press the button on each side and take out the drawer slowly.



3. Undo the screws with a screwdriver.

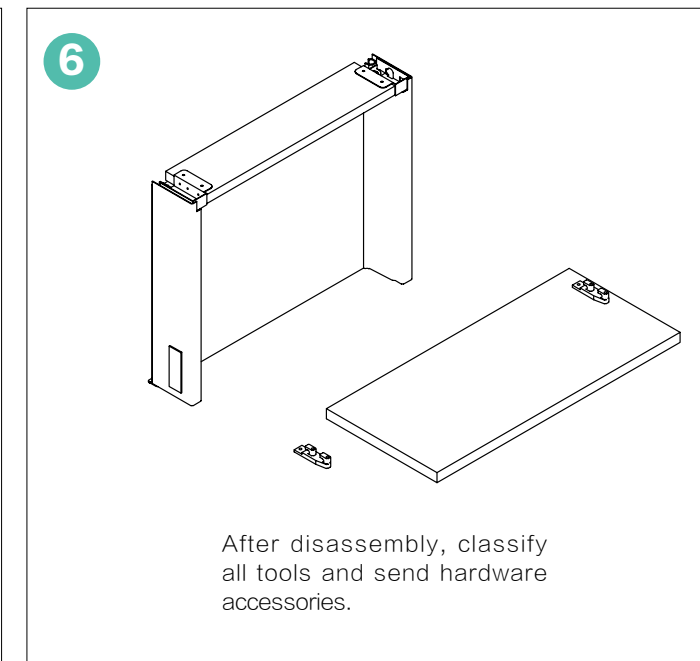
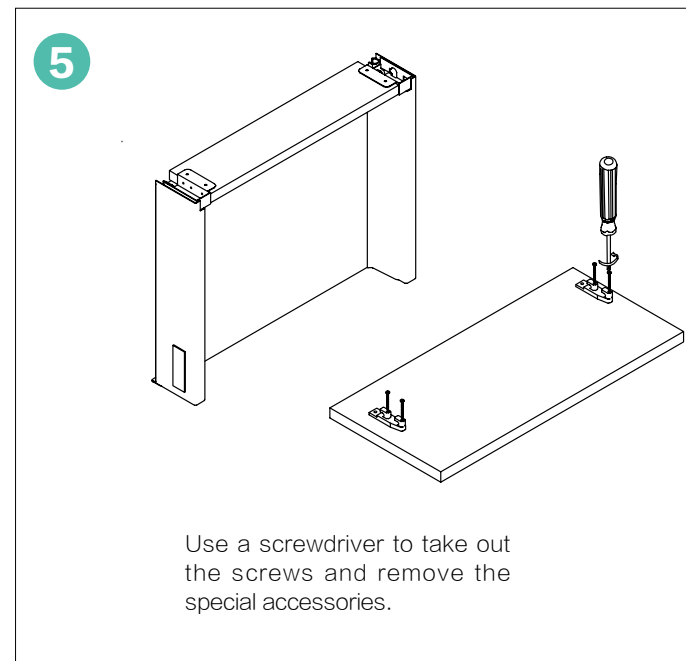


4. Remove the cap. Press the "PRESS" and split the drawer panel and front.

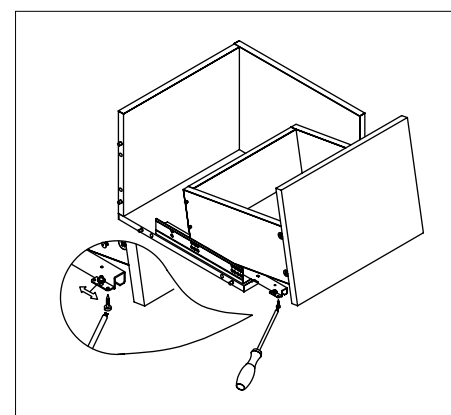


## REMOVE DRAWERS ( HETTICH INNO TECH ATIRA PREMIUM RUNNER )

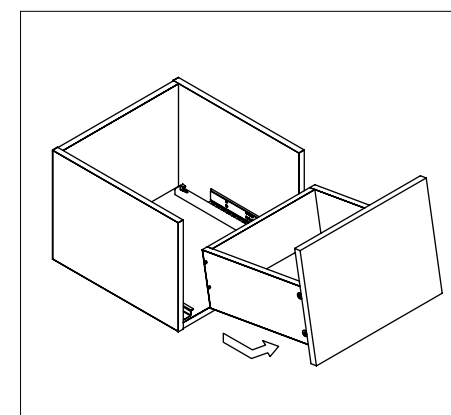
5-6. Undo the screws and put all parts away.



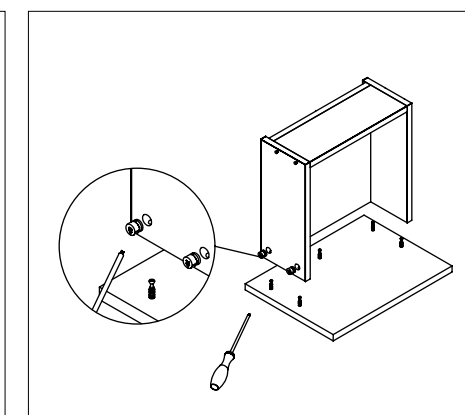
## REMOVE DRAWERS ( HETTICH QUADRO S RUNNER )



Open the drawer and discharge the screw in the runner for both sides



Hold the drawer up and take out it slowly



Adjusting the fastenings, and make the draw front away from whole drawer

### Steps to reassemble the drawer

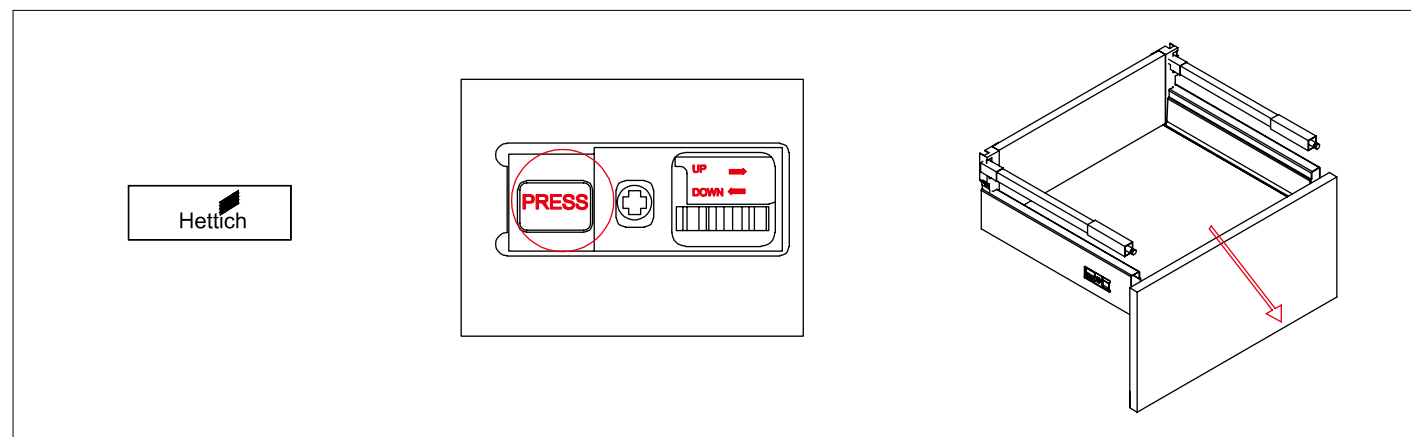


**Note: When putting drawers back, please exactly reverse the steps of removal of the drawer.**

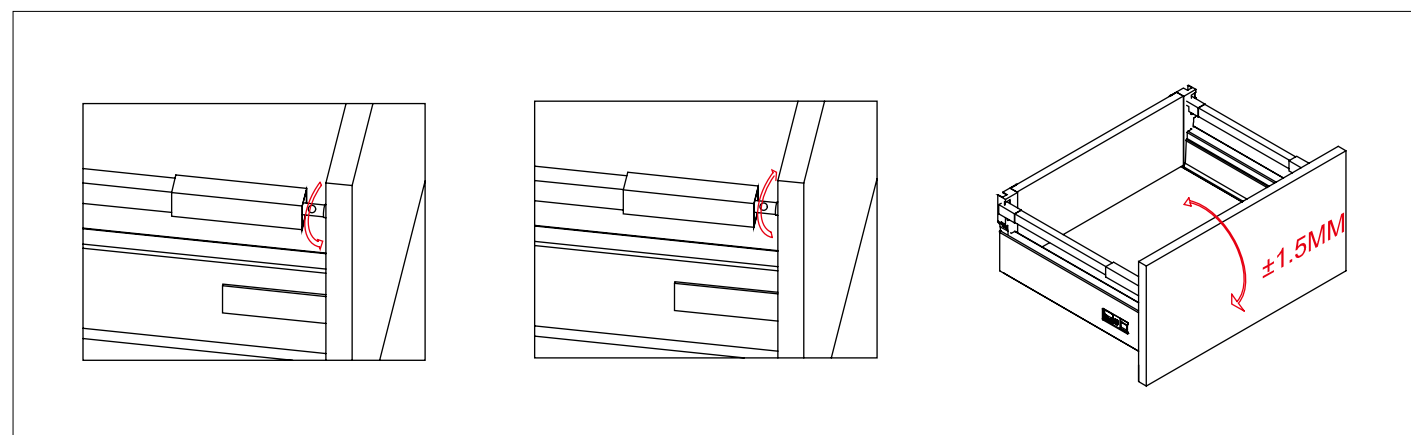


## ADJUSTMENTS (HETTICH INNO TECH ATIRA PREMIUM RUNNER)

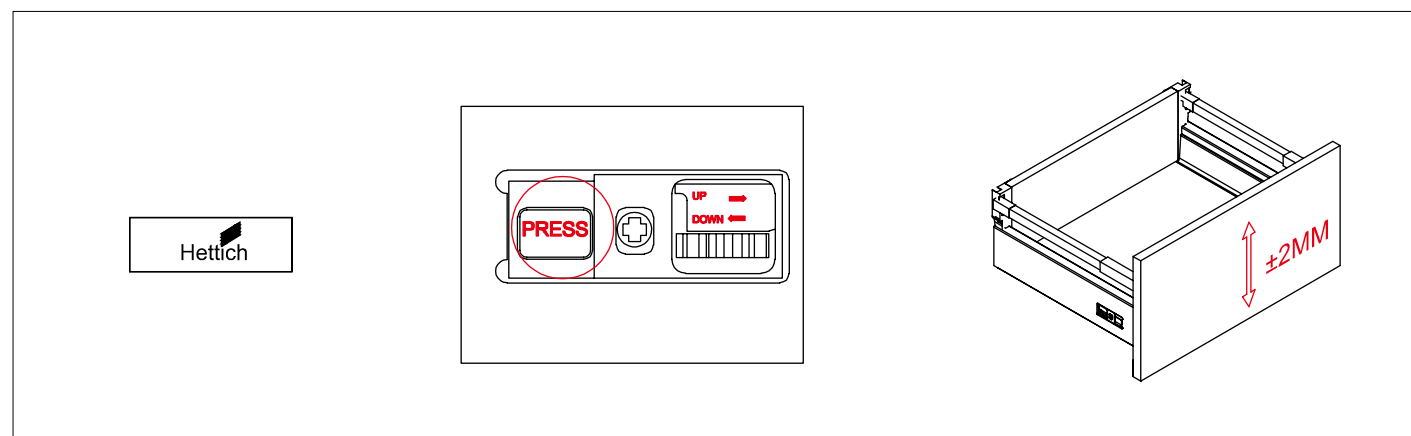
### Hittich luxury drawer runner adjustment



Remove the cap. Press the “PRESS” to split the drawer panel and font.



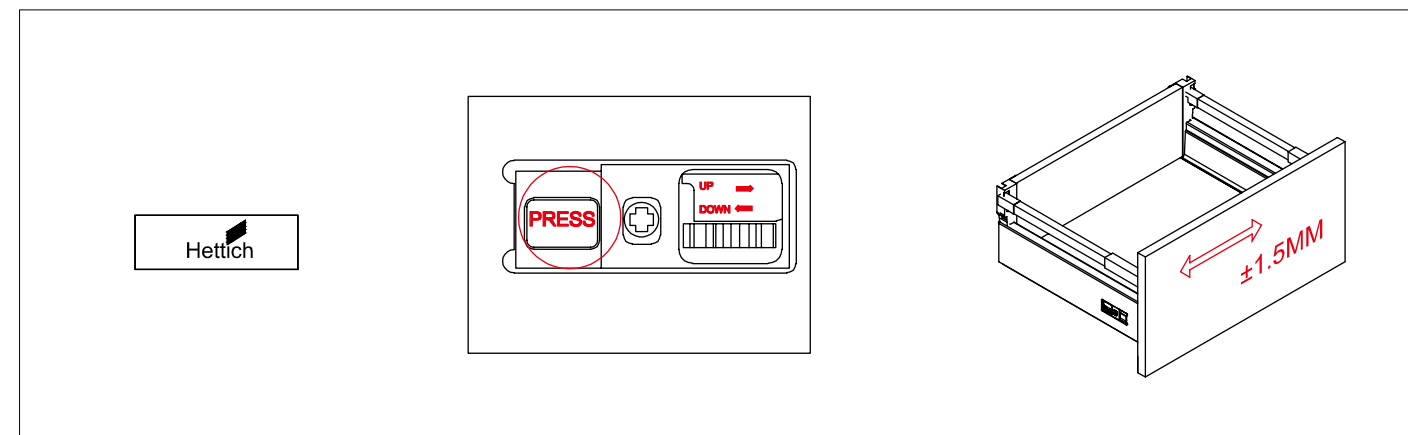
Push and spin the bar accordingly



Remove the cap. Adjust the height of the drawer by rotating the knob.



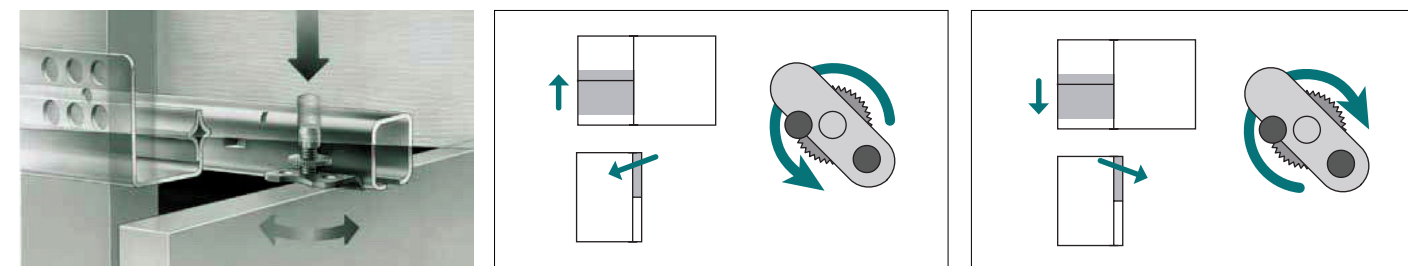
## ADJUSTMENTS (HETTICH INNO TECH ATIRA PREMIUM RUNNER)



Remove the cap. Adjusting the nut to make the drawer panel left or right.



## ADJUSTMENTS (HETTICH QUADRO S RUNNER)



Adjusting nut on underside of drawers

To adjust the drawer UP (backwards tilt) turn anti-clockwise.

To adjust the drawer DOWN (forward tilt) turn clockwise.

It is very important to ensure that the unit is level & plumb, using a spirit level. This will ensure that doors and drawers (where applicable) will be square within the frame. There is a small amount of final adjustment within door & drawer components if necessary after installation – see details above.

## CARE and MAINTENANCE

Aulic products are manufactured from materials that are greatly adapted to bathroom. However, no abrasive cleaners or wax-based creams are used on any gloss cabinets as this can result in a build-up of deposits/scratches that will detract from the appearance. Sufficient ventilation is required to avoid excessive moisture.

The best way will be simply wipe over with a clean and soft cloth. Any excessive moisture or water spillage will always be taken into care.

### For cabinets

- 1 To remove scratches, marks, etc. on two pack polyurethane, rub gently with car cutting compound, car polish or household brass/silver cleaner used for car re-treatment, followed by buffing with a car polish and a clean, soft cloth.
- 2 Aulic cabinets used in construction are moisture-resistant, but not water-proof.
- 3 All cabinets should be installed against tiles, instead of in the tiles. Cabinets should be at least 300mm away from bathtubs or showers to avoid water damage.

### For benchtops

- 1 Use only a soft cloth and weak solution of non abrasive detergent to maintain the finish on your ceramic top or stone top.
- 2 Scratches cannot be repaired or removed on the glazed surface of ceramic tops
- 3 Some visual distortion may occur on ceramic tops which is handcrafted product. This is not a defect.

## WARRANTY

ALEX GROUP AUS PTY LTD is made to the highest industry standards and quality, referring to table below for warranty periods.

<b>Vanity</b>	<b>Cabinet</b>	<b>10 years</b> replacement products or parts. <b>12 months</b> replacement products or parts & labour
	Top/Top with undermount basin	<b>2 years</b> replacement products or parts. <b>12 months</b> replacement products or parts & labour
<b>Other Products</b>		<b>12 months</b> replacement products or parts
<b>Commercial Use</b>		<b>12 months</b> replacement products or parts & Labour

### Conditions

- 1 Installation is made by a LICENSED tradesman.
- 2 Failure derives from a fault in the quality of the product.
- 3 Proof of purchase should be provided when making a claim.
- 4 The product should be installed properly.
- 5 All cabinets are engineered for moisture proof.
- 6 This warranty does not cover scratching or normal wear and tear, as these are not manufacturing faults.

To fullest extent under the law, ALEX GROUP AUS PTY LTD is not liable for damage to any person or property and any indirect consequence or other loss, ALEX GROUP AUS PTY LTD liability does not include the cost of installation or removal of any product and no warranty will be supplied if damage occurs during or after INSTALLATION or a damaged or incorrect part has been installed. The warranty does not cover the issue by improper installation, accidents, misuse, abuse and negligence, installation or part installation by the purchaser or any person other than a LICENSED TRADESPERSON. Must avoid contact with hard sharp objects due to the nature of stainless steel material it can be SCRATCHED with normal day to day use this is not covered by warranty. Don't use Harsh cleaning products that contain chlorides and halides eg ( Bromine, Iodine and Fluorine). Don't use Hydrochloric Acid (HC) for cleaning this will lead to pitting and stress corrosion cracking (SCC).