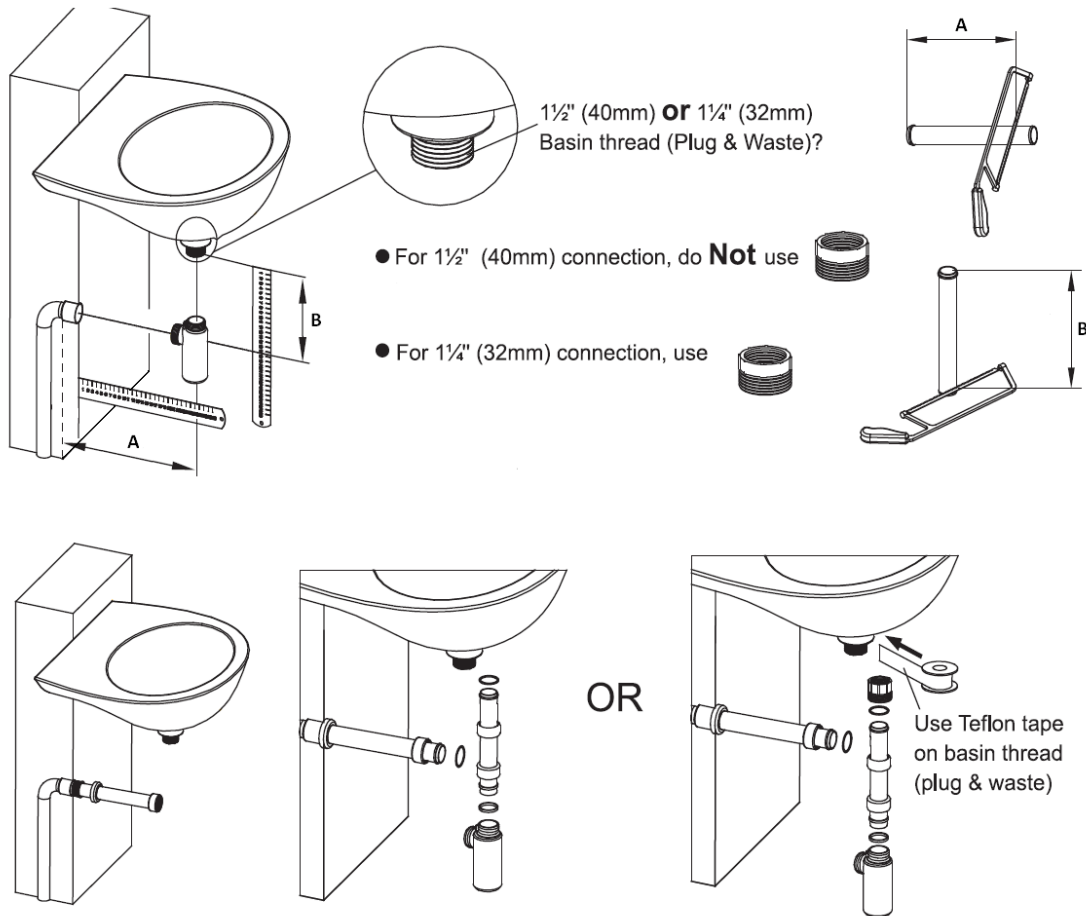




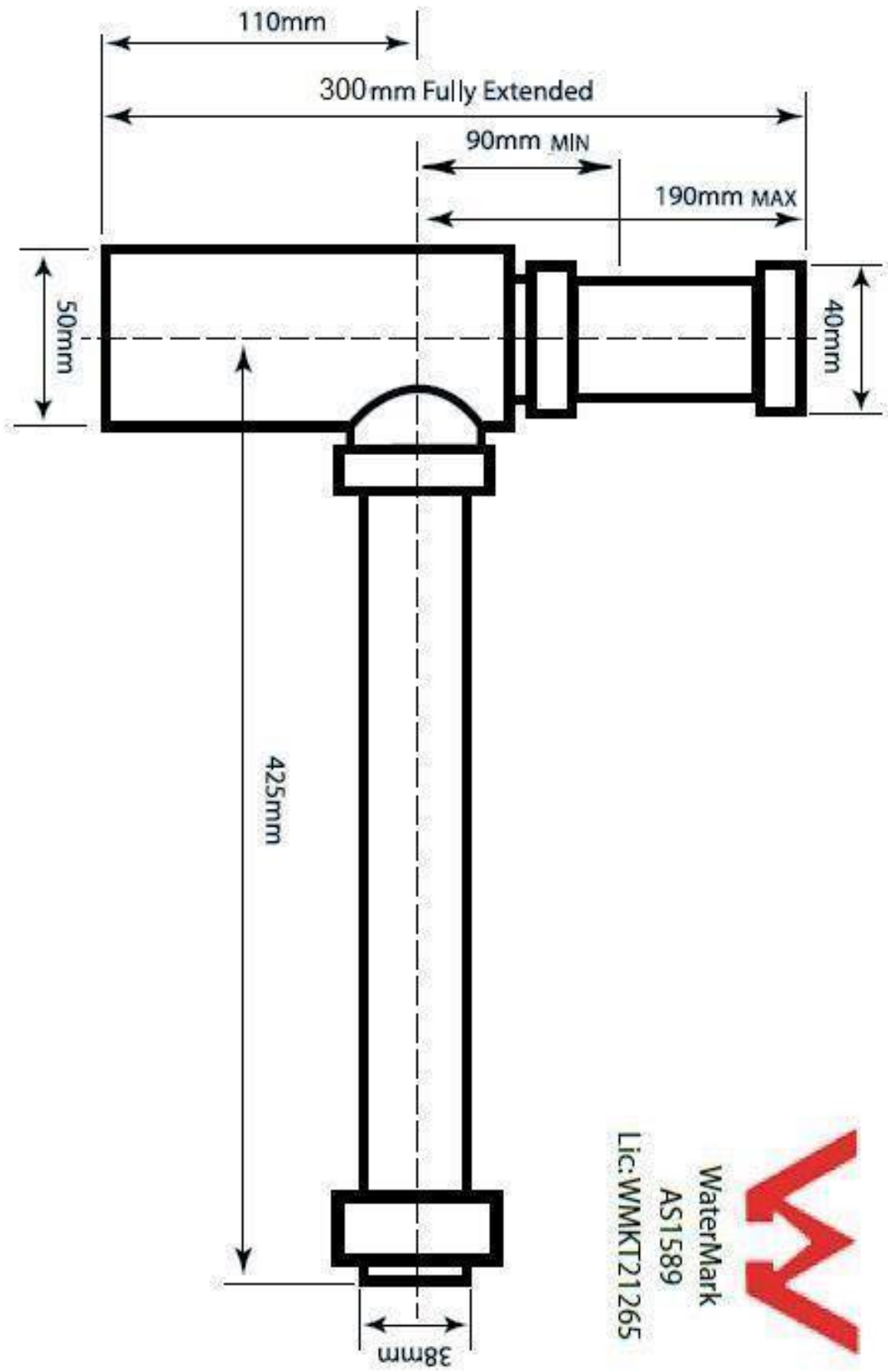
**TURNER
HASTINGS**
EUROPEAN BATHWARE

16 McPherson Road, Smeaton Grange, NSW, 2567
PO Box 7412, Mount Annan, NSW, 2567
Phone 1300 00 2284
Fax 02 4647 5564
ABN 56 263 133 253
www.turnerhastings.com.au
info@turnerhastings.com.au

SLIMLINE ADJUSTABLE BOTTLE TRAP REF # AU4040



- Bottle trap is adjustable Vertically and Horizontally by simply cutting to size using pipe cutters or hacksaw.
- Compression nuts for where the pipes join to the Bottle Tee piece must be tight.
- Connection to the wall is made by using the rubber key seal and inserting it into a 40mm PVC socket (using a lubricant will help ensure it is pushed in tightly).



Lic:WMKT21265

AS1589

WaterMark

