

# SQUARE ACCESSORIES

## Installation Instructions

### Important Information:

- \* Before drilling check position of towel rails, caddy, toilet roll holders and metal shelf to ensure the fixing plates are horizontal.
- \* To prevent drill from wandering on tiled surface it is recommended that masking tape be applied before drilling.
- \* Distance between centres of fixing holes:
  - Caddy :  $310 \pm 1$  mm.
  - Towel Rail (3 screws) :  $285 \pm 1$  mm between centers.
  - Hand Towel Rail with Shelf :  $90 \pm 1$  mm then  $295 \pm 1$  mm.
  - Metal Shelf (3 screws) :  $190 \pm 1$  mm between centers.
  - Square Toilet Roll Holder with Shelf :  $84 \pm 1$  mm.
  - Soap Bottle Holder :  $60 \pm 1$  mm (Vertical orientation).
- \* Do not use accessories for personal support.
- \* Over time, the mounting screws which are used to install the product may be affected by exposure to water, which may cause the screws to rust and loosen. You should periodically check that your accessory is fastened securely to the wall.

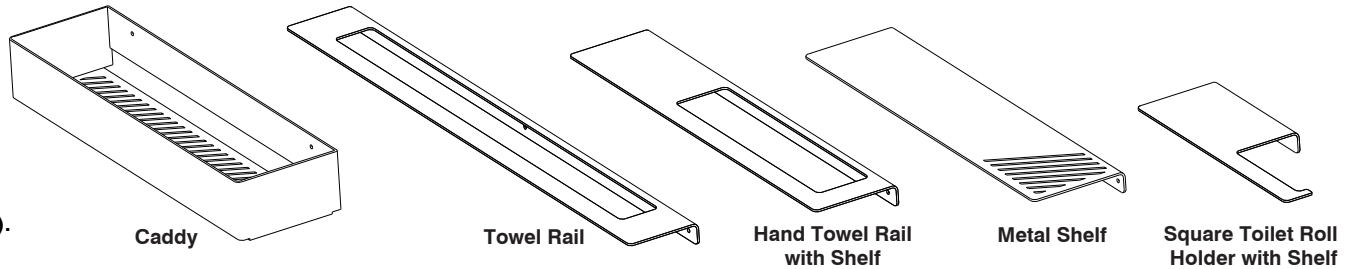
### Installation

#### 1. Brick, masonry blocks, concrete, tiled cavity walls.

- i) Drill holes 6 mm diameter, 40mm deep.
- ii) Insert rounded end of wall plugs (2) into drilled holes and push in until flush with the wall surface.
- iii) Fit screws (4) into Countersunk washers (5) and then through holes in accessory (3) before screwing into wall plugs (2).
- iv) Check alignment before tightening screws (4).
- v) Tighten screws (4).
- vi) Cap (6) can now be attached to Countersunk (5) washer.

#### 2. Untiled cavity walls.

- i) Determine a suitable position to attach accessory (3) so that they can be fixed to a stud or noggin in the wall. Ensure correct orientation.
- ii) Fit screws (4) to Countersunk washers (5) and then through holes in accessory (3) and screw directly into stud or noggin.
- iii) Check alignment before tightening screws (4).
- iv) Tighten screws (4).
- v) Cap (6) can now be attached to Countersunk washer (5).



Soap Bottle Holder

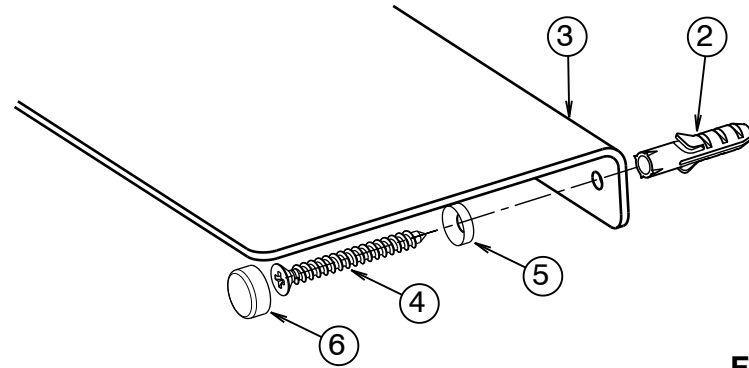


Fig.1