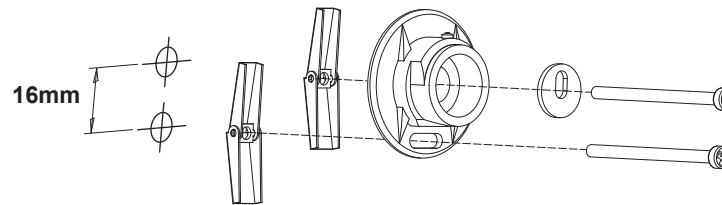


1a

For fitting to stud walls clad with wallboard, with or without ceramic tiles.

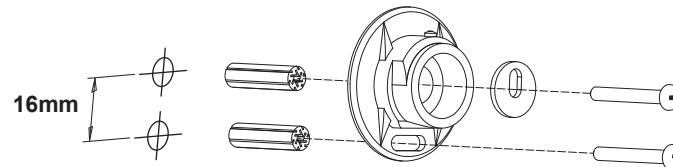
Place mounting plate in desired position and mark centre of bottom hole. Mark second hole position 16mm above. Using 12mm drill bit, drill through to wall cavity. Remove screws from toggles. Pass one screw through washer & centre of mounting plate, the other through the bottom slot. Rescrew on toggles. Fold toggle wings and push through holes. Adjust mounting plate into position and tighten firmly.



1b

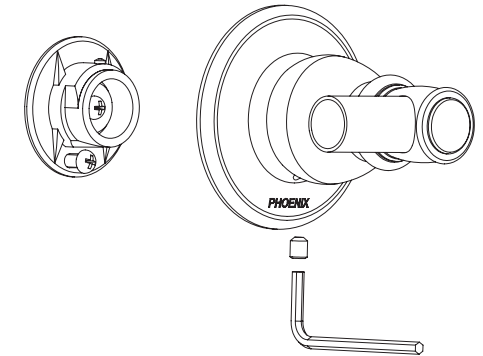
For fixing to brick walls with hard plaster or ceramic tiled surface.

Place mounting plate in desired position and mark centre of bottom hole. Mark second hole position 16mm above. Using 6mm masonry drill bit, drill two 25mm deep holes. Press plastic plugs into holes. Pass one self tapping screw through washer & centre of mounting plate, the other through the bottom slot. Guide self tapping screws into plastic plugs. Adjust mounting plate into position and tighten firmly.



2

Place accessory flange over mounting plate and tighten fixing grub screw with allen key provided.



WARRANTY:

Please refer to the full warranty statement enclosed with the product before installing. Or visit www.phoenixtapware.com.au to download a copy.

MAINTENANCE AND CARE:

- Products should be cleaned with mild liquid detergent or soap and water.
- Do not use cream cleaners or citrus based cleaning products, as they are abrasive.
- Use of unsuitable cleaning agents may damage the surface. Any damage caused in this way will not be covered by warranty.

DISCLAIMER:

While we aim to ensure the specifications shown are correct at the time of printing, Phoenix Tapware reserves the right to make modifications without prior notice. Always use the physical product measurements for mark-ups and roughing-in as the line drawing shown may differ from the actual product over time.

*All measurements are shown in millimeters.