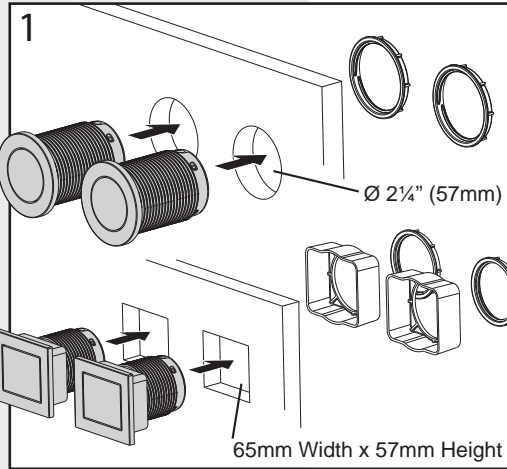
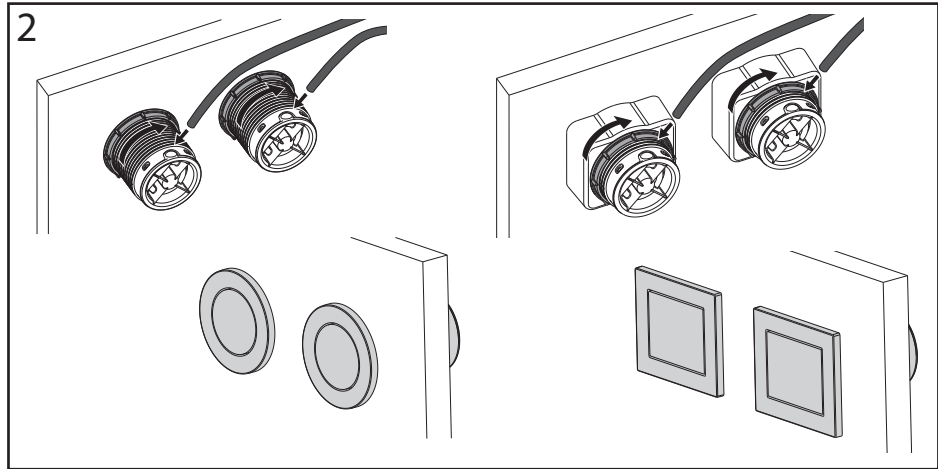


Button Installations

Custom Buttons - rear access required



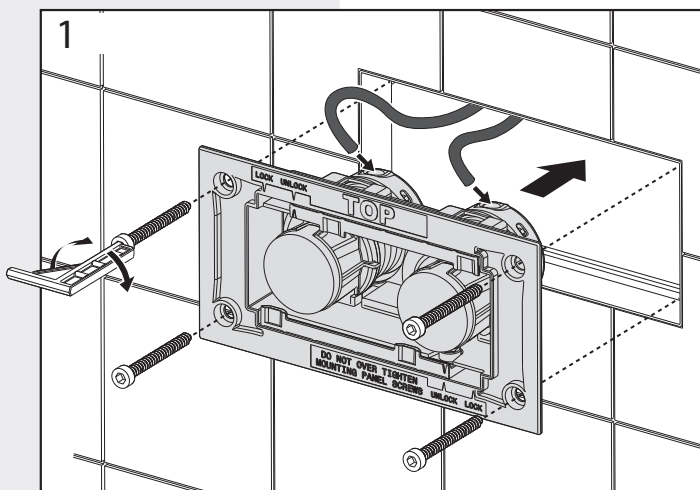
Drill/cut holes according to the specified dimensions above in the desired position.
Custom Buttons are suitable for panels up to 55mm thick.



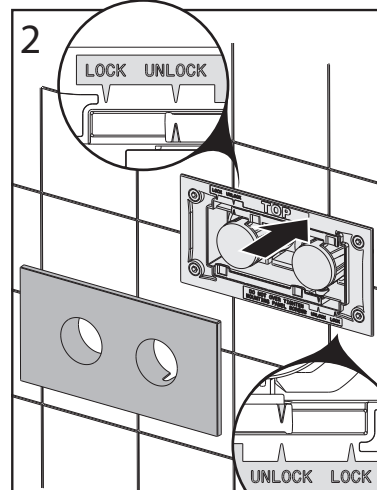
Insert the Button Assembly and ensure buttons are orientated correctly prior to tightening mounting nut from behind. **NOTE:** Rectangular Installations where the thickness of the mounting plate is less than 26mm will require the additional Spacer.

Push the tubes into the Button Assemblies ensuring the tubes from the cistern are correctly matched with the half flush and full flush buttons.

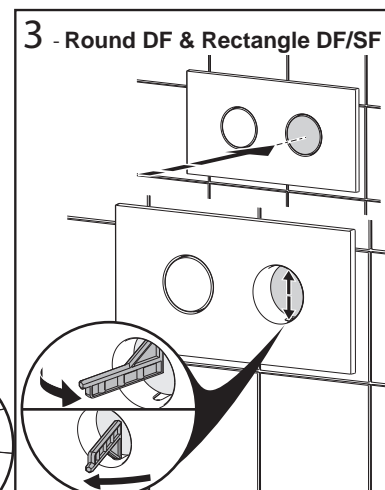
Button Panels - Round DF, Rectangle DF/SF, Care & Blanking Panel Assemblies



Remove Face Plate from the assembly and set aside. Push the Pneumatic Tubes into the rear of the Mounting Panel assembly ensuring the correct tube is matched with the corresponding button. Use the supplied Allen Key and Mounting Panel Screws to fix the assembly to the Tiling Box or Remote Mounting Box. (Note that the Tiling Box or Remote Mounting Box should be trimmed flush to the wall prior to assembly of the buttons.)
DO NOT OVERTIGHTEN MOUNTING PANEL SCREWS.

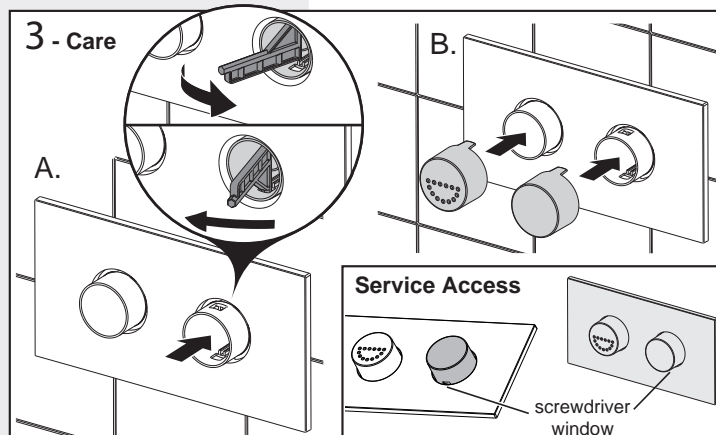


Ensure the two Locking Racks are in the 'UNLOCK' position, then assemble the Face Plate to the Mounting Panel



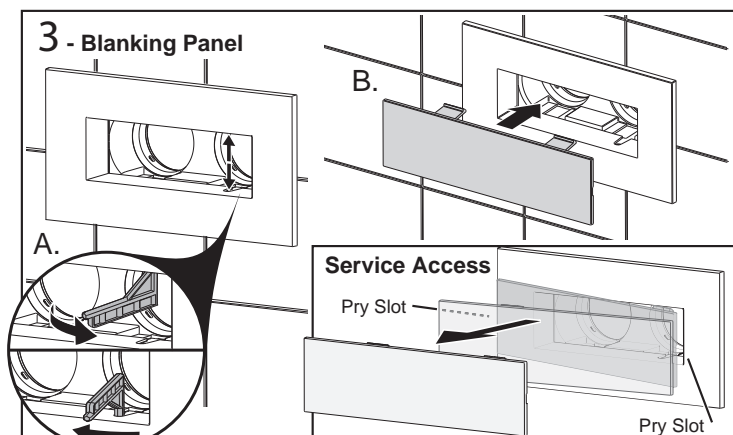
Depress the full flush button and use the Allen Key to lock the Face Plate to the Mounting Panel top & bottom.

SERVICE ACCESS: Reverse Procedure for service access.



A. Depress the full flush button (as provided, without cap) and use the Allen Key to lock the Face Plate to the Mounting Panel top & bottom.
B. Clip button caps on, ensuring the half flush is on the left.

SERVICE ACCESS: Using a flat head screwdriver in the full flush button window, carefully lever and firmly pull the button cap off. Then reverse remaining procedure above.



A. Allen Key to lock the Face Plate to the Mounting Panel top & bottom.
B. Clip Blanking Panel into place.

SERVICE ACCESS: Push a flat head screwdriver into the Pry Slots at either end of the blanking panel and carefully lever panel off. Then reverse remaining procedure above.