

1

Drill two horizontally spaced 6mm holes, at a distance indicated in the diagram.

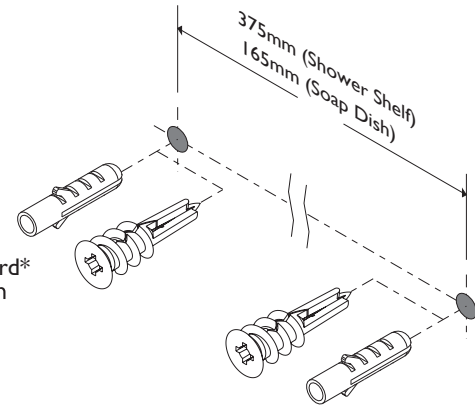
INSTALLATION ON TILES:

Push in Wall Plugs.

INSTALLATION ON PLASTERBOARD*:

Carefully screw in Plasterboard* Anchors until the face is flush with the finished wall.

* Maximum 15mm thickness.

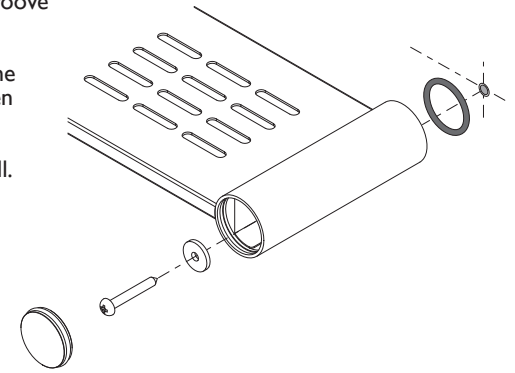


2

Place the O-rings in the groove behind the pillars.

Feed the Screw through the Mounting Washer, and then through the Pillar.

Fasten the Pillar to the wall.



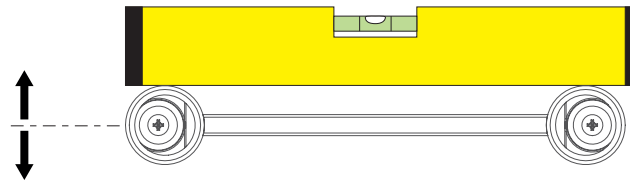
3

LEVEL & WIDTH ADJUSTMENT

Loosen off one of the Screws.

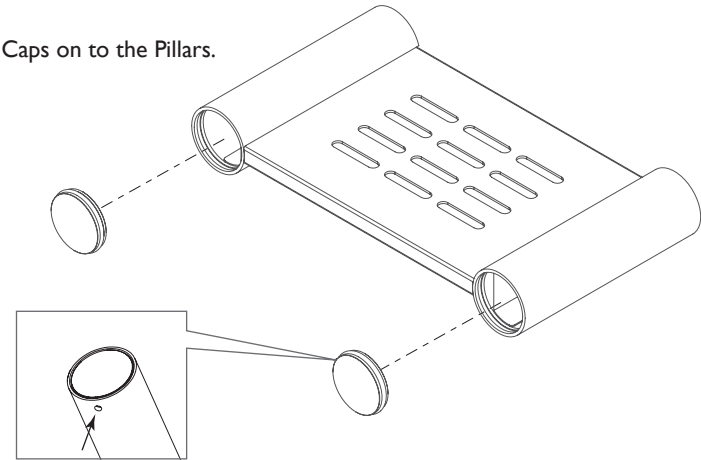
Using a Level, move Shelf/Dish into a horizontal position.

Tighten the Screw.



4

Push End Caps on to the Pillars.



To remove cap, place pin or wire into hole shown and push firmly

WARRANTY:

Please refer to the full warranty statement enclosed with the product before installing. Or visit www.phoenixtapware.com.au to download a copy.

MAINTENANCE AND CARE:

- Products should be cleaned with mild liquid detergent or soap and water.
- Do not use cream cleaners or citrus based cleaning products, as they are abrasive.
- Use of unsuitable cleaning agents may damage the surface. Any damage caused in this way will not be covered by warranty.

DISCLAIMER:

While we aim to ensure the specifications shown are correct at the time of printing, Phoenix Tapware reserves the right to make modifications without prior notice. Always use the physical product measurements for mark-ups and roughing-in as the line drawing shown may differ from the actual product over time.

*All measurements are shown in millimeters.